


PNEUMATIC LINEAR VIBRATORS - CUSHIONED & IMPACTING

MODEL VTP 25

- Linear Vibration
- Force 66 N to 1800 N
- Frequency and amplitude adjustable independently
- Suitable for temperature up to 80 °C

On request can be supplied with ATEX certification
To ATEX 95 94/9/EC  II 2 G & D Zone 1, 2 & 21, 22

20 CECIL PASHLEY WAY, SHOREHAM AIRPORT, SHOREHAM, BN43 5FF, ENGLAND

Tel. +44(0) 1273 430977 Fax. +44 (0) 1273 430978

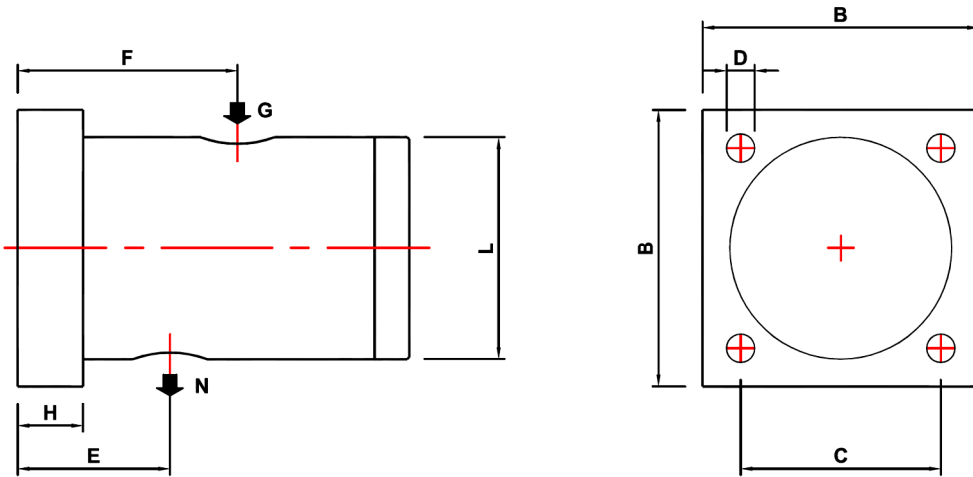
Web. www.vibtec.com E-mail. sales@vibtec.com

PERFORMANCE DATA

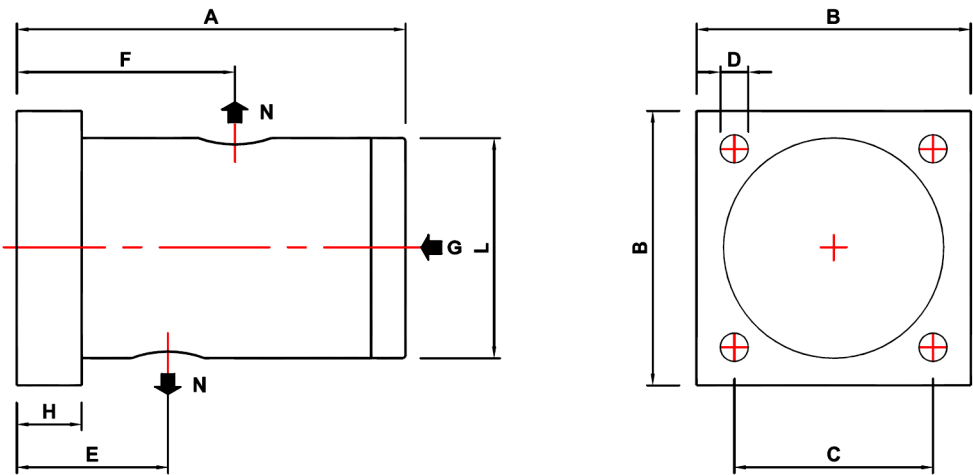
MODEL	Nominal Frequency RPM			Force N			Air Consumption L/min		
	2 Bar	4 Bar	6 Bar	2 Bar	4 Bar	6 Bar	2 Bar	4 Bar	6 Bar
VTP 25 CUSHIONED	2600	3200	3800	66	164	260	18	56	122
VTP 25 CONTINUOUS IMPACTING	4780	6900	8380	130	310	500	25	72	160

VTP 25SI SINGLE IMPACTING FORCE N		
2 Bar	4 Bar	6 Bar
1200	1600	1800

VTP 25



VTP 25SI



DIMENSIONS

MODEL	A mm	B mm	C mm	D mm	E mm	F mm	H mm	L mm	G BSP	N BSP	Wt kgs
VTP 25	90	63.5	46	6.5	35	50.5	15	51	1/8"	1/8"	0.635