

High Resolution Incremental Optical Encoders

Catalog Numbers 847A, 847B, 847H, 847T

Topic	Page
847A & 847B Hollow Shaft Incremental Encoders	2
847H Incremental Encoders	5
847H-F Incremental Encoders	9
847T Incremental Encoders	12

Additional Resources

These documents contain additional information concerning related products from Rockwell Automation.

Resource	Description
Industrial Automation Wiring and Grounding Guidelines, publication 1770-4.1	Provides general guidelines for installing a Rockwell Automation industrial system.
Product Certifications website, http://www.ab.com	Provides declarations of conformity, certificates, and other certification details.

You can view or download publications at <http://www.rockwellautomation.com/literature/>. To order paper copies of technical documentation, contact your local Allen-Bradley distributor or Rockwell Automation sales representative.

LISTEN.
THINK.
SOLVE.®

847A & 847B Hollow Shaft Incremental Encoders



Description

Bulletin 847A blind hollow shaft and 847B through hollow shaft incremental encoders are used to electronically monitor the position or speed of a rotating shaft. Shaft position is converted to digital pulses in an A quad B format.

Bulletin 847A and 847B encoders offer a built-in flexible coupling, which reduces installation cost and mounting space requirements. Additionally, the Bulletin 847B encoder is a through-shaft design allowing additional accessories to be mounted to the same shaft. Both families come standard with channels A, B, and Z with line driver. Single-ended outputs are also supported at no additional charge. All support shaft sizes are 3/8 in. and 1/2 in. in diameter. Bulletin 847A and 847B encoders offer resolutions up to 65536.

Features

- Blind or through-shaft designs
- Integral flex mount
- PPR of 00001 to 65536
- Two inch diameter housing

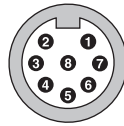
Specifications

Electrical	
Code Format	Incremental, two channels with zero index
Signal options	A-leads-B, 180° marker gated with A or B-leads-A, 180° marker gated with BN (clockwise rotation viewed from shaft end)
Signal phase relation	90° ± 22° channels
Symmetry	40...60%
Supply Current	50 mA
Frequency Response	4.5...5.5V line driver output: 820 kHz; 8...30V line driver output: 820 kHz; Open collector: 150 kHz
Resolution	1...65536 pulses/revolution
Load Current	30 mA for all output types
Output Drivers	4.5...5.5V line driver: IC HD2; 8...30V line driver: IC HD2; Open collector: 7406
Protection	Reverse polarity and short circuit for all output types
Cable O.D.	6.2 mm (0.25 in.)
Cable Type	300V, 105°C, 26 AWG, 9-conductor with overall braided shield, UL AWM type 20327 for use in fixed (non-flexing) installations; RoHS compliant
Cable Bend Radius	Minimum 5x outer diameter
Mechanical	
Operating Speed	6,000 RPM, max.
Angular Acceleration	500,000 radians/s ²
Moment of Inertia	40 g•cm ²
Starting Torque	0.8 N•cm @ 20°C (68°F)
Torque to Operate	0.6 N•cm @ 20 °C (68 °F)
Permissible Shaft Movement	Radial—Static: ± 0.3 (0.012); Dynamic: ± 0.05 (0.002) Axial—Static: ± 0.5 (0.02); Dynamic: ± 0.1 (0.004)
Shaft Diameter [mm (in.)]	9.5 mm (3/8 in.) or 12.7 mm (1/2 in.)
Weight [kg (lb)]	0.16 (0.35) with M12 connector
MTTFd (EN ISO 13849-1)	330 years
Environmental	
Enclosure Type Rating	Per IEC 60529: Shaft: IP65; Housing, connector version with mating connector installed: with blind hollow shaft: IP67 with through hollow shaft: IP65 Housing, cable version: with blind hollow shaft: IP67 with through hollow shaft: IP65
Operating Temperature [C (F)]	-30...80° (-22...176°)
Storage Temperature [C (F)]	-40...100° (-40...212°)
Relative Humidity	90% non-condensing
Shock	100 G/11 ms duration
Vibration	30 G/10...2,000 Hz
EMC	EN 61000-6-2 and EN 61000-6-3 (M12 connector)
Housing Material	EN AC-47100 die-cast aluminum
Housing Finish	Powder coat paint, color RAL 9005, Pantone black C (jet black)
Flange Material	6061-T6 aluminium
Shaft Material	SAE 303 stainless steel
Certifications	UL Listed, RoHS compliant, and CE Marked for all applicable directives

847A & 847B Hollow Shaft Incremental Encoders

Connector Pins and Signal Availability

Signal Name	Wire Color (attached cable)	Pin Number (M12 8-pin connector)
V DC	Red	8
Common	Black with red band	7
A output	White	2
AN output	Black with white band	1
B output	Blue	4
BN output	Black with blue band	3
Z output	Green	6
ZN output	Black with green band	5
Zero set input	Yellow	-
Case	Black	-
Recommended mating cable	(Attached to encoder)	889D-F8FB-2



M12 pins
On Encoder Connector

Accessories ¹

Description	Cat. No.
Differential Encoder buffer board	845-BB
M12 cable	889D-F8FB- ²

¹ For more accessory details visit our website at <http://ab.rockwellautomation.com>

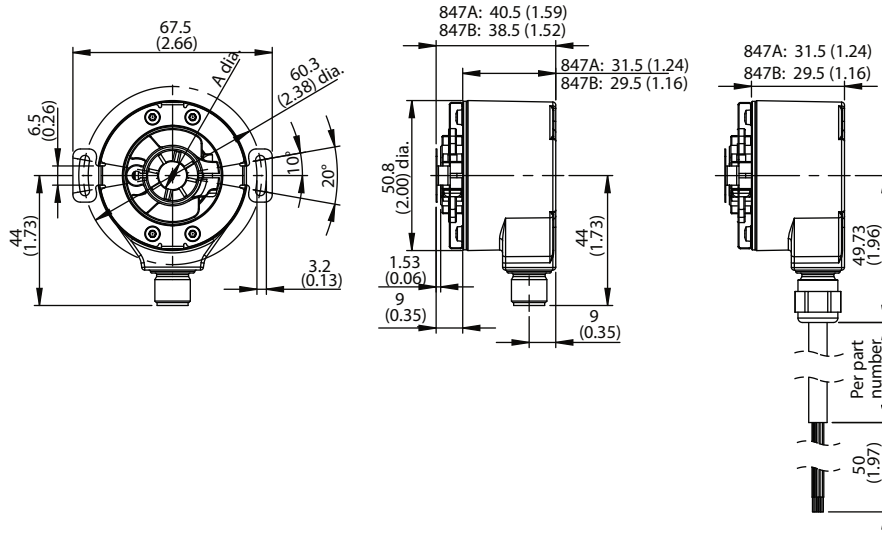
² Add 2, 5, or 10 to the end of the cat. no. for cable lengths in meters.

847A & 847B Hollow Shaft Incremental Encoders

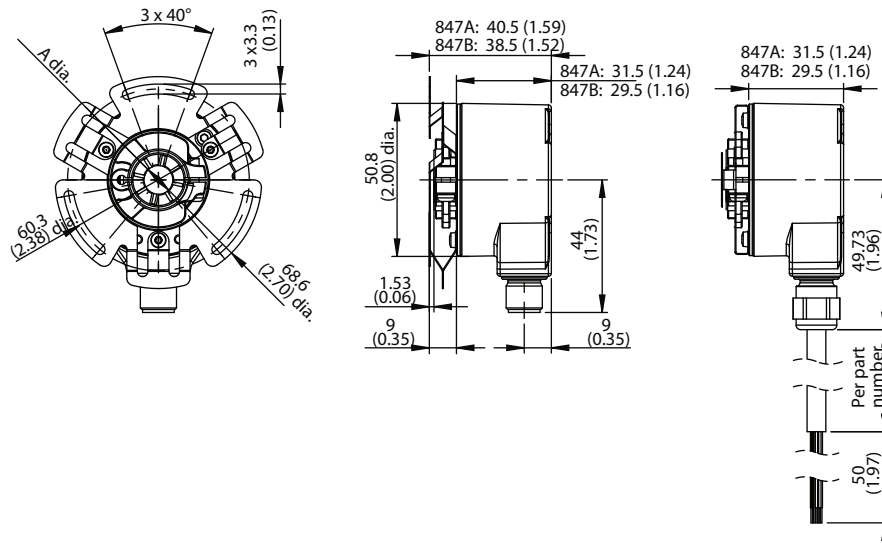
Approximate Dimensions

Dimensions are shown in mm (in.). Dimensions are not intended to be used for installation purposes.

Two-point Mounting

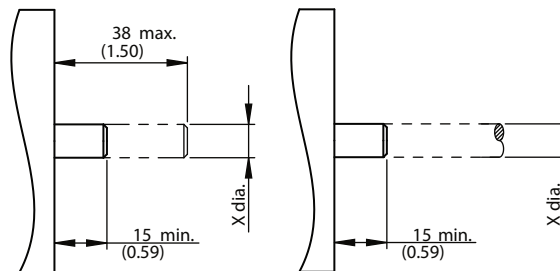


Three-point Mounting



Nominal	Bore Diameter A	Cable Options
3/8 in.	9.543...9.558 (0.3757...0.3763)	1.5 m (4.9 ft)
1/2 in.	12.716...12.734 (0.5006...0.5013)	5 m (16.4 ft)
		10 m (32.8 ft)

Customer Shafts



Nominal	Shaft Diameter X	Cable Options
3/8 in.	9.535...9.520 (0.3754...0.3748)	1.5 m (4.9 ft)
1/2 in.	12.712...12.694 (0.5005...0.4998)	5 m (16.4 ft)
		10 m (32.8 ft)

847H Incremental Encoders

2.5 in. Diameter Solid Shaft



Description

Bulletin 847H High Performance Industrial Incremental Encoders provide code disk resolutions of up to 65536 pulses per revolution at a signal frequency response of 820 kHz. The 847H can provide 65536 pulses per revolution at an operating speed of 9000 revolutions per minute.

Features

- Metal code disk resolution up to 5000 PPR
- Optional sink, source, open collector or differential line driver output configurations
- English and metric options
- Input reverse polarity protection

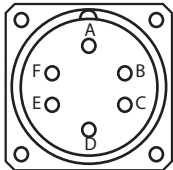
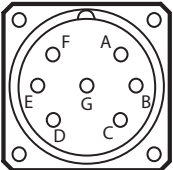
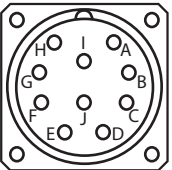

Specifications

Electrical	
Code Format	Incremental, two channels with zero index
Signal options	A-leads-B, 180° marker gated with A or B-leads-A, 180° marker gated with BN (clockwise rotation viewed from shaft end)
Signal phase relation	90° ± 22° channels
Symmetry	50% ± 10%
Zero Index Channel	Gated 1/2 cycle
Supply Current	50 mA
Frequency Response	4.5...5.5V line driver output: 820 kHz; 8...30V line driver output: 820 kHz; Open collector: 150 kHz
Resolution	1...65536 pulses/revolution
Load Current	30 mA for all output types
Output Drivers	4.5...5.5V line driver: IC HD2; 8...30V line driver: IC HD2; Open collector: 7406
Protection	Reverse polarity and short circuit for all output types
Cable O.D.	6.2 mm (0.25 in.)
Cable Type	300V, 105°C, 26 AWG, 9-conductor with overall braided shield, UL AWM type 20327 for use in fixed (non-flexing) installations; RoHs compliant
Cable Bend Radius	Minimum 5x outer diameter
Mechanical	
Operating Speed	9,000 RPM, max.
Angular Acceleration	500,000 radians/s ²
Moment of Inertia	15 g•cm ²
Starting Torque	0.8 N•cm at 20°C (68°F)
Torque to Operate	0.6 N•cm @ 20°C (68°F)
Weight [kg (lb)]	0.16 (0.35) with M12 connector
MTTFd (EN ISO 13849-1)	330 years
Shaft loading	80 N radial (20 mm from front bearing) and 40 N axial provide L10 life of 3.6 x 10 ⁹ revolutions at 9,000 RPM and 80°C ambient temperature.
Shaft diameter [mm (in.)]	6 (0.24), 10 (0.39), 6.4 (1/4), 9.5 (3/8)
Environmental	
Enclosure Type Rating	Per IEC 60529: Shaft: IP65; Housing, connector version with mating connector installed: IP67; Housing, cable version: IP67
Operating Temperature [C (F)]	-30...80° (-22...176°)
Storage Temperature [C (F)]	-40...100° (-4...212°)
Relative Humidity	90% non-condensing
Shock	100 g/11 ms duration
Vibration	30 g/10...2,000 Hz
EMC	EN 61000-6-2 and EN 61000-6-3 (M12 connector)
Housing Material	EN AC-47100 die-cast aluminium
Housing Finish	Powder coat paint, color RAL 9005, Pantone black C (jet black)
Flange Material	6061-T6 aluminium
Shaft Material	SAE 303 stainless steel
Certifications	UL Listed (valid only for encoders with cable and M12 connections), RoHS Compliant, and CE Marked for all applicable directives

847H Incremental Encoders

2.5 in. Diameter Solid Shaft

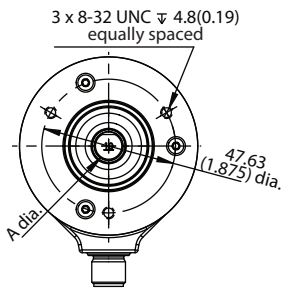
Connector Pins and Signal Availability

Signal Name	MS 6-pin	MS 7-pin	MS 10-pin	M12 8-pin	Cable Wire Colors
V DC	B	D	D	8	Red
Common	A	F	F	7	Black with red band
A output	E	A	A	2	White
AN output	—	—	H	1	Black with white band
B output	D	B	B	4	Blue
BN output	—	—	I	3	Black with blue band
Z output	C	C	C	6	Green
ZN output	—	—	J	5	Black with green band
Zero set input	—	E	E	—	Yellow
Case	F	G	G	—	—
Encoder connectors/cable view					—
Recommended mating cable cat. no.	845-CA-A-2	845-CA-B-2	845-CA-C-2	889D-F8FB-2	(Attached to encoder)

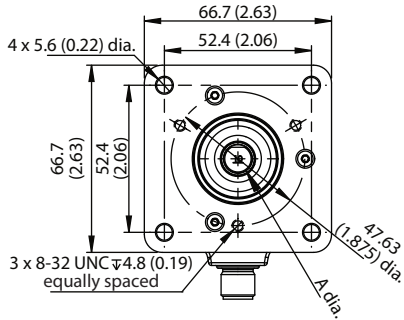
Approximate Dimensions

Dimensions are shown in mm (in.). Dimensions are not intended to be used for installation purposes.

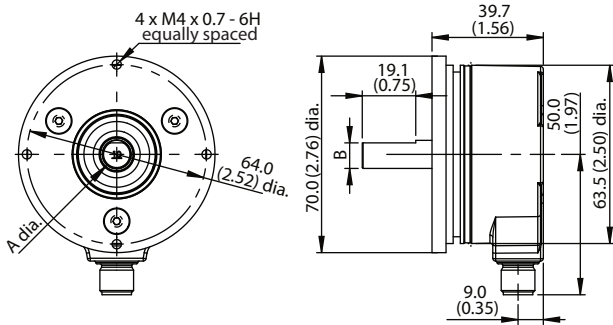
Standard Servo Mount Encoder with Radial M12 Connector



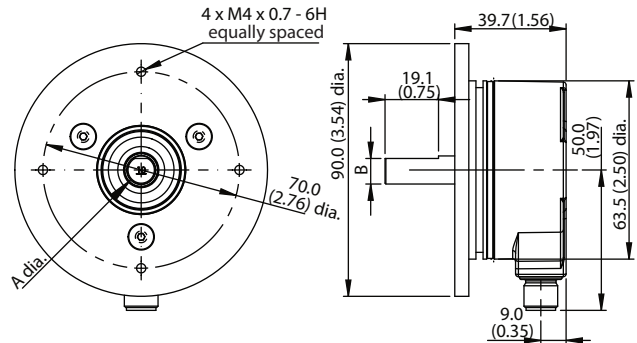
Standard Square Flange Encoder with Radial M12 Connector



Standard Servo 70 mm Diameter Servo Mount Encoder with Radial M12 Connector



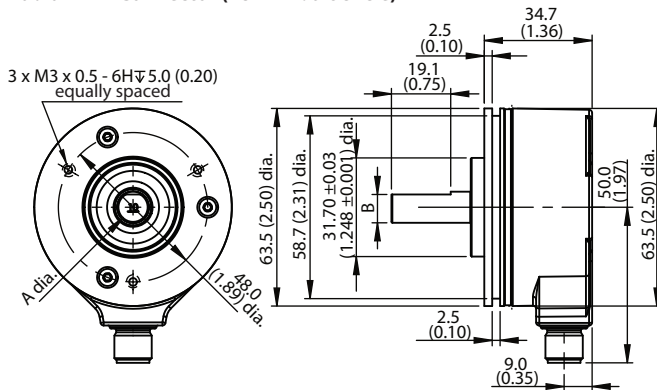
Standard Square Flange 90 mm Diameter Servo Mount Encoder with Radial M12 Connector



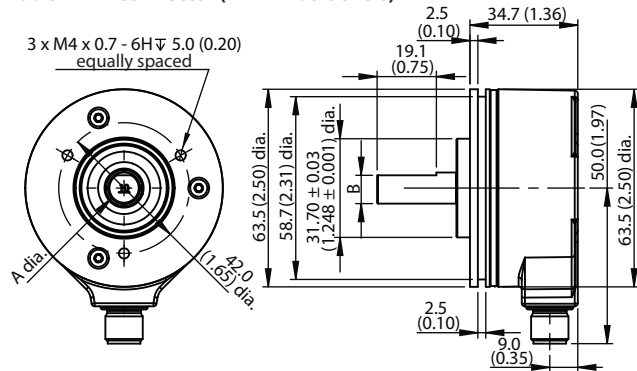
Shaft Dimensions

Nominal Diameter	Shaft Diameter A	Flat Dimension, B
1/4 in.	6.237/6.312 (0.2491/0.2485)	5.5 (0.22)
6 mm	6.000/5.988 (0.2362/0.2357)	5.5 (0.22)
3/8 in.	9.507/9.492 (0.3743/0.3737)	8.5 (0.33)
10 mm	9.977/9.962 (0.3928/0.3922)	9.0 (0.35)

65 mm Diameter Servo Mount Encoder with Radial M12 Connector (48 mm bolt circle)



65 mm Diameter Servo Mount Encoder with Radial M12 Connector (42 mm bolt circle)



Shaft Dimensions

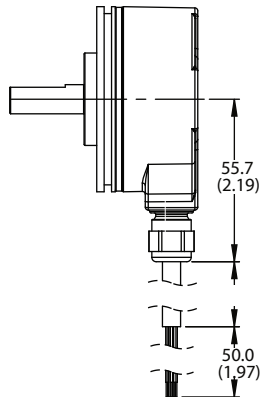
Nominal Diameter	Shaft Diameter A	Flat Dimension, B
1/4 in.	6.237/6.312 (0.2491/0.2485)	5.5 (0.22)
6 mm	6.000/5.988 (0.2362/0.2357)	5.5 (0.22)
3/8 in.	9.507/9.492 (0.3743/0.3737)	8.5 (0.33)
10 mm	9.977/9.962 (0.3928/0.3922)	9.0 (0.35)

847H Incremental Encoders

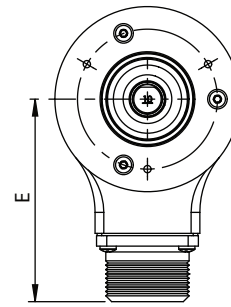
2.5 in. Diameter Solid Shaft

Approximate Dimensions

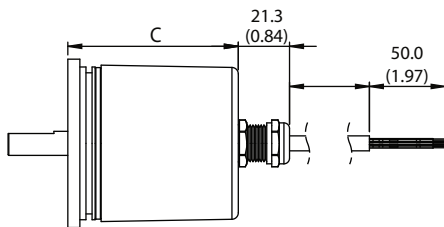
Dimensions are shown in mm (in.). Dimensions are not intended to be used for installation purposes.



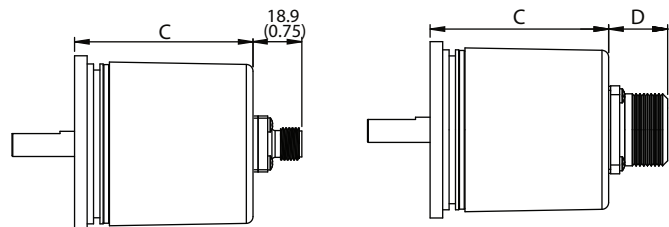
Cable Options
1.5 m (4.9 ft)
5 m (16.4 ft)
10 m (32.8 ft)



Dimensions with Radial MS Connector	
Type	E
6-pin	63.9 (2.52)
7-pin	63.9 (2.52)
10-pin	69.4 (2.73)



Dimensions with Axial Cable or Axial Connector	
Encoders	C
70 and 90 mm diameter servo mount	70.9 (2.79)
Other mounting configurations	65.9 (2.59)



Dimensions with Axial MS Connector	
Type	D
6-pin	17.8 [0.70]
7-pin	17.8 [0.70]
10-pin	23.4 [0.92]

Accessories ¹

Description	Cat. No.
High-performance flexible coupling	845-FC
Measuring wheels	845-MW
Servo clamps	845-SC
Mounting plates	845-MB
Pre-wired cables	845-CA
Mating connectors	845-6P 845-7P 845-7P-RT 845-10P 845-10P-RT
Differential Encoder buffer board	845-BB
M12 cable	889D-F8FB- ²

¹ For more accessory details visit our website at <http://ab.rockwellautomation.com>

² Add 2, 5, or 10 to the end of the cat. no. for cable lengths in meters.

847H-F Incremental Encoders

2.5 in. Diameter Solid Shaft with Bell Housing and Coupler



Description

Bulletin 847H High Performance Industrial Incremental Encoders provide code disk resolutions of up to 65536 pulses per revolution at a signal frequency response of 820 kHz. The 847H can provide 65536 pulses per revolution at an operating speed of 9000 revolutions per minute.

Features

- Metal Code disk resolution up to 5000 PPR
- Optional sink, source, open collector or differential line driver output configurations
- English and metric options
- Input reverse polarity protection

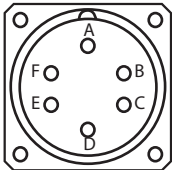
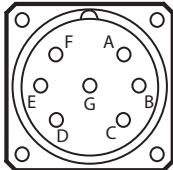
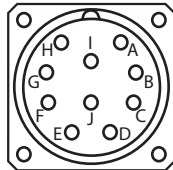

Specifications

Electrical	
Code Format	Incremental, two channels with zero index
Signal options	A-leads-B, 180° marker gated with A or B-leads-A, 180° marker gated with BN
Signal phase relation	90° ± 22° channels
Symmetry	50% ± 10%
Zero Index Channel	Gated 1/2 cycle
Supply Current	50 mA
Frequency Response	4.5...5.5V line driver output: 820 kHz; 8...30V line driver output: 820 kHz; Open collector: 150 kHz
Resolution	1...65536 pulses/revolution
Load Current	30 mA for all output types
Output Drivers	4.5...5.5V line driver: IC HD2; 8...30V line driver: IC HD2; Open collector: 7406
Protection	Reverse polarity and short circuit for all output types
Cable O.D.	6.2 mm (0.25 in.)
Cable Type	300V, 105°C, 26 AWG, 9-conductor with overall braided shield, UL AWM type 20327 for use in fixed (non-flexing) installations; RoHs compliant
Cable Bend Radius	Minimum 5x outer diameter
Mechanical	
Operating Speed	9,000 RPM, max.
Angular Acceleration	500,000 radians/s ²
Moment of Inertia	41 g•cm ²
Starting Torque	0.8 N•cm at 20°C (68°F)
Torque to Operate	0.6 N•cm at 20°C (68°F)
Weight [kg (lb)]	0.40 (0.86) with M12 connector
MTTFd (EN ISO 13849-1)	330 years
Angular shaft misalignment [mm (in.)]	5° standard coupler, 10° high performance coupler
Parallel shaft misalignment [mm (in.)]	0.25 (0.010) standard coupler, 0.51 (0.020) high performance coupler
Coupling axial compliance [mm (in.)]	± 0.76 (0.030) standard coupler, ± 1.52 (0.060) high performance coupler
Coupler bore size [mm (in.)]	9.52 (3/8) or 6.4 (1/4) diameter
Environmental	
Enclosure Type Rating	Per IEC 60529: Shaft: IP 65; Housing, connector version with mating connector installed: IP67; Housing, cable version: IP67
Operating Temperature [C (F)]	-30...80° (-22...176°)
Storage Temperature [C (F)]	-40...100° (-40...212°)
Relative Humidity	90% non-condensing
Shock	100 g/11 ms duration
Vibration	30 g/10...2,000 Hz
EMC	EN 61000-6-2 and EN 61000-6-3 (M12 connector)
Housing Material	—
Housing Finish	Powder coat paint, color RAL 9005, Pantone black C (jet black)
Flange Material	6061-T6 aluminium
Shaft Material	SAE 303 stainless steel
Certifications	UL Listed (valid only for encoders with cable and M12 connections), RoHS compliant, and CE Marked for all applicable directives

847H-F Incremental Encoders

2.5 in. Diameter Solid Shaft with Bell Housing and Coupler

Connector Pins and Signal Availability

Signal Name	MS 6-pin	MS 7-pin	MS 10-pin	M12 8-pin	Cable Wire Colors
V DC	B	D	D	8	Red
Common	A	F	F	7	Black with red band
A output	E	A	A	2	White
AN output	—	—	H	1	Black with white band
B output	D	B	B	4	Blue
BN output	—	—	I	3	Black with blue band
Z output	C	C	C	6	Green
ZN output	—	—	J	5	Black with green band
Zero set input	—	E	E	—	Yellow
Case	F	G	G	—	—
Encoder connectors					—
Recommended mating cable cat. no.	845-CA-A-2	845-CA-B-2	845-CA-C-2	889D-F8FB-2	(Attached to encoder)

Accessories ¹

Description	Cat. No.
Pre-wired cables	845-CA
Mating connectors	845-6P
	845-7P
	845-7P-RT
	845-10P
845-10P-RT	
Differential Encoder buffer board	845-BB
M12 cable	889D-F8FB- ²

¹ For more accessory details visit our website at <http://ab.rockwellautomation.com>

² Add 2, 5, or 10 to the end of the cat. no. for cable lengths in meters.

847H-F Incremental Encoders

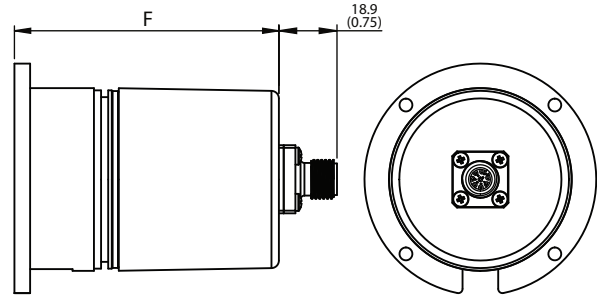
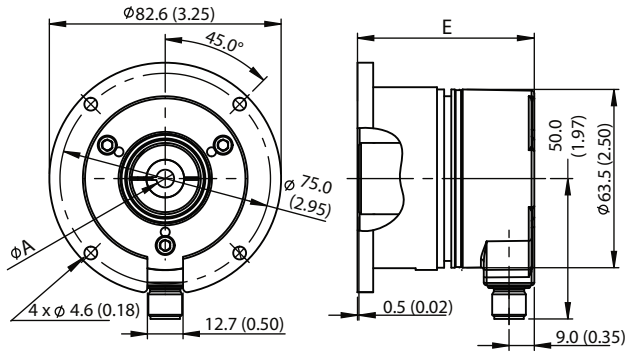
2.5 in. Diameter Solid Shaft with Bell Housing and Coupler

Approximate Dimensions

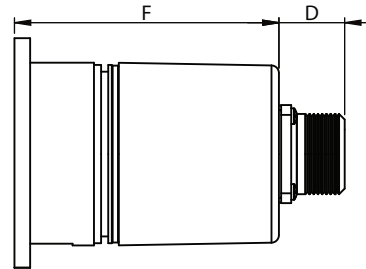
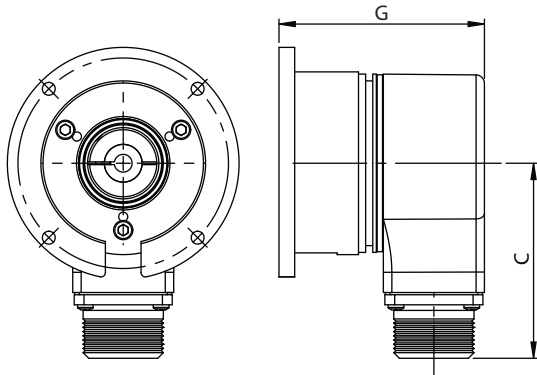
Dimensions are shown in mm (in.). Dimensions are not intended to be used for installation purposes.

Shaft Dimensions		
Nominal Diameter	Shaft Diameter A	Bore Depth
1/4 in.	6.35/6.43(0.250/0.253)	12.7 (0.50)
3/8 in.	9.53/9.61 (0.375/0.378)	12.7 (0.50)

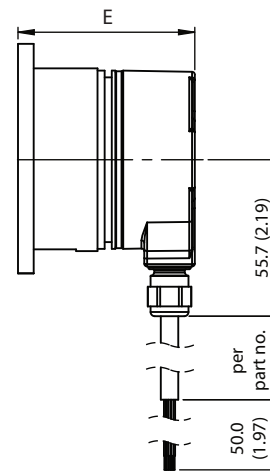
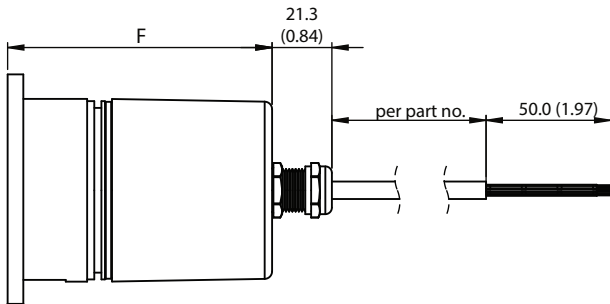
E	F	G	Cat. No.
63.0 (2.48)	94.2 (3.71)	73.2 (2.88)	847H-FB**-*****
63.0 (2.48)	94.2 (3.71)	73.2(2.88)	847H-FE**-*****
74.8 (2.94)	106.0 (4.17)	85.0 (3.35)	847H-FF**-*****
74.8 (2.94)	106.0 (4.17)	85.0 (3.35)	847H-FG**-*****



Standard/High Performance with Radial MS Connector



MS Connector Dimensions		
Type	C	D
6-pin	63.9 [2.5 2]	17.8 [0.70]
7-pin	63.9 [2.5 2]	17.8 [0.70]
10-pin	69.4 [2.7 3]	23.4 [0.92]



Cable Options
1.5 m (4.9 ft)
5 m (16.4 ft)
10 m (32.8 ft)

847T Incremental Encoders

2 in. Diameter Solid Shaft



Description

Bulletin 847T Incremental Encoders are heavy duty, IP65-rated shaft encoders housed in a compact, 2 in. diameter IP67 rated enclosure. They provide metal code disk resolutions up to 65536 pulses per revolution and a frequency response of 820 kHz for line driver and 150 kHz for open collector outputs. You can use them for machine tools, packaging machinery, motion controls, and robotics.

Features

- Wide set bearing
- F-technology sensor
- Available in standard square, standard servo, and 5PY mounting

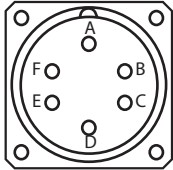
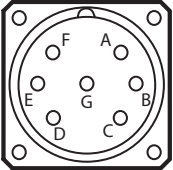
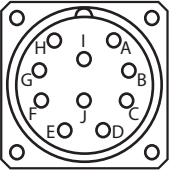

Specifications

Electrical	
Code Format	Incremental, two channels with zero index
Signal options	A-leads-B, 180° marker gated with A or B-leads-A, 180° marker gated with BN (clockwise rotation viewed from shaft end)
Signal phase relation	90° ± 22° channels
Symmetry	50% ± 10%
Zero index channel	Gated 1/2 cycle
Supply Current	50 mA
Frequency Response	4.5...5.5V line driver output: 820 kHz; 8...30V line driver output: 820 kHz; Open collector: 150 kHz
Resolution	1...65536 pulses/revolution
Load Current	30 mA for all output types
Output Drivers	4.5...5.5V line driver: IC HD2; 8...30V line driver: IC HD2; Open collector: 7406
Protection	Reverse polarity and short circuit for all output types
Cable O.D.	6.2 mm (0.25 in.)
Cable Type	300V, 105°C, 26 AWG, 9-conductor with overall braided shield, UL AWM type 20327 for use in fixed (non-flexing) installations; RoHs compliant
Cable Bend Radius	Minimum 5x outer diameter
Mechanical	
Operating Speed	9,000 RPM, max.
Angular Acceleration	500,000 radians/s ²
Moment of Inertia	15 g•cm ²
Starting Torque	0.8 N•cm at 20°C (68°F)
Torque to Operate	0.6 N•cm at 20°C (68°F)
Weight [kg (lb)]	0.16 (0.35) with M12 connector
MTTFd (EN ISO 13849-1)	330 years
Shaft Loading	80 N radial, 20 mm (0.79 in.) from front bearing and 40 N axial provide L10 life of 3.6 x10 ⁹ revolutions at 9,000 RPM and 80°C ambient temperature
Shaft Diameter [mm (in.)]	6 (0.24), 10 (0.39), 6.4 (0.25), and 9.2 (0.38) diameter for solid shaft encoders 7.94 (0.313) for encoder with PY mounting
Environmental	
Enclosure Type Rating	Per IEC 60529: Shaft: IP65; Housing, connector version with mating connector installed: IP67; Housing, cable version: IP67
Operating Temperature [C (F)]	-30...80° (-22...176°)
Storage Temperature [C (F)]	-40...100° (-4...212°)
Relative Humidity	90% non-condensing
Shock	100 g/11 ms duration
Vibration	30 g/10...2,000 Hz
EMC	EN 61000-6-2 and EN 61000-6-3 (M12 connector)
Housing Material	EN AC-47100 die-cast aluminium
Housing Finish	Powder coat paint, color RAL 9005, Pantone black C (jet black)
Flange Material	6061-T6 aluminium
Shaft Material	SAE 303 stainless steel
Certifications	UL Listed only with cable or M12 connections, RoHS compliant, and CE Marked for all applicable directives

847T Incremental Encoders

2 in. Diameter Solid Shaft

Connector Pins and Signal Availability

Signal Name	MS 6-pin	MS 7-pin	MS 10-pin	M12 8-pin	Cable Wire Colors
V DC	B	D	D	8	Red
Common	A	F	F	7	Black with red band
A output	E	A	A	2	White
AN output	—	—	H	1	Black with white band
B output	D	B	B	4	Blue
BN output	—	—	I	3	Black with blue band
Z output	C	C	C	6	Green
ZN output	—	—	J	5	Black with green band
Zero set input	—	E	E	—	Yellow
Case	F	G	G	—	—
Encoder connectors					—
Recommended mating cable cat. no.	845-CA-A-2	845-CA-B-2	845-CA-C-2	889D-F8FB-2	(Attached to encoder)

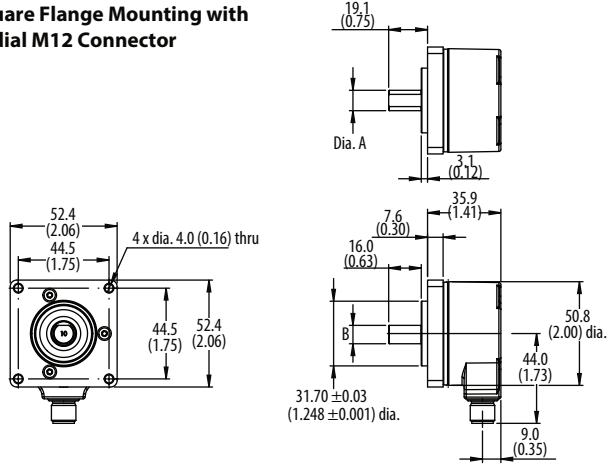
847T Incremental Encoders

2 in. Diameter Solid Shaft

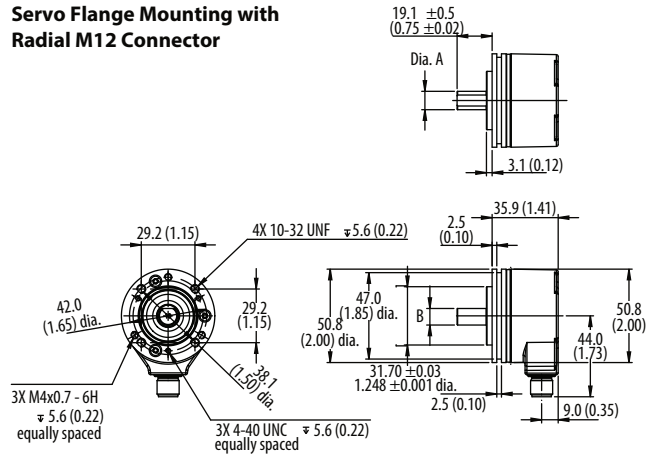
Approximate Dimensions

Dimensions are shown in mm (in.). Dimensions are not intended to be used for installation purposes.

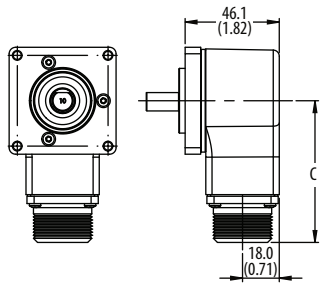
Square Flange Mounting with Radial M12 Connector



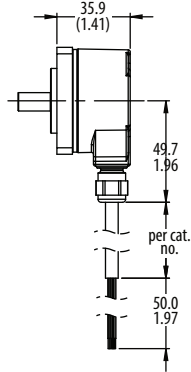
Servo Flange Mounting with Radial M12 Connector



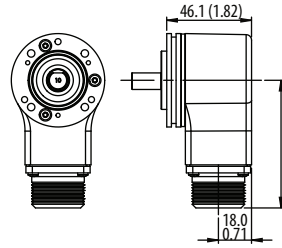
Square Flange Mounting with Radial MS Connector



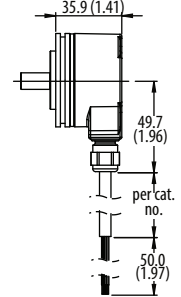
Square Flange Mounting with Radial Cable



Servo Flange Mounting with Radial MS Connector



Servo Flange Mounting with Radial Cable



Shaft Options		
Nominal	Shaft Diameter A	Flat Dimension, B
1/4 in.	6.327/6.312 (0.2491/0.2485)	5.5 (0.22)
3/8 in.	9.507/9.492 (0.3743/0.3737)	8.5 (0.33)
6 mm	6.000/5.988 (0.2362/0.2357)	5.5 (0.22)
10 mm	9.977/9.962 (0.3928/0.3922)	9 (0.35)

MS Connector Options	
Type	C
6-pin	63.9 (2.52)
7-pin	63.9 (2.52)
10-pin	69.4 (2.73)
Cable Options	
1.5 m (4.9 ft)	
5 m (16.4 ft)	
10 m (32.8 ft)	

Accessories ¹

Description	Cat. No.
High-performance flexible coupling ²	845-FC
Measuring wheels ²	845-MW
Servo clamps ²	845-SC
Mounting plates	845-MB
Pre-wired cables	845-CA
Mating connectors	845-6P 845-7P 845-7P-RT 845-10P 845-10P-RT
Differential Encoder buffer board	845-BB
M12 cable	889D-F8FB- ³

¹ For more accessory details visit our website at <http://ab.rockwellautomation.com>

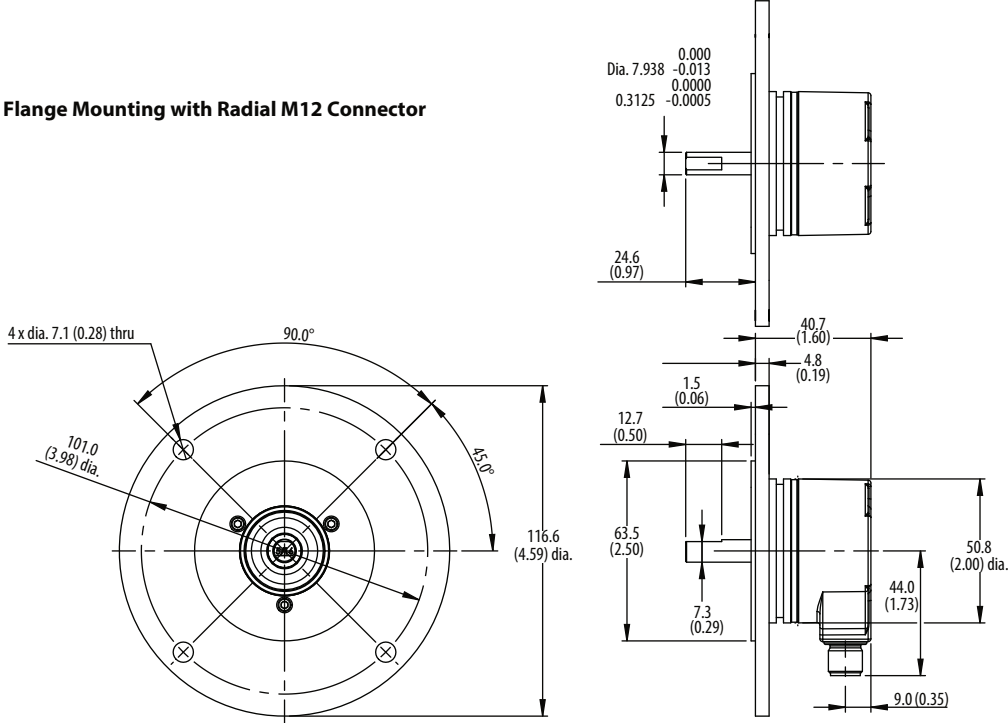
² Not available for PY mounting.

³ Add 2, 5, or 10 to the end of the cat. no. for cable lengths in meters.

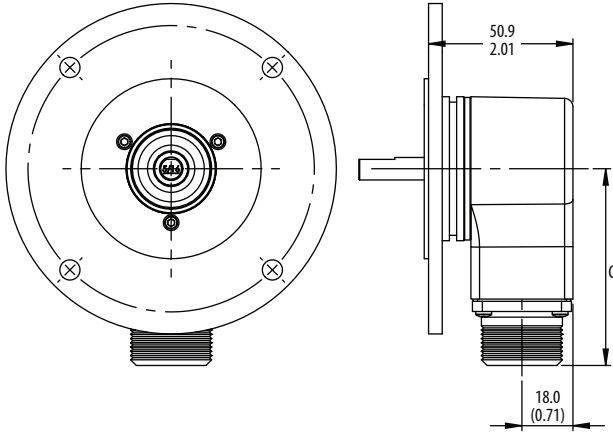
Approximate Dimensions

Dimensions are shown in mm (in.). Dimensions are not intended to be used for installation purposes.

PY Flange Mounting with Radial M12 Connector

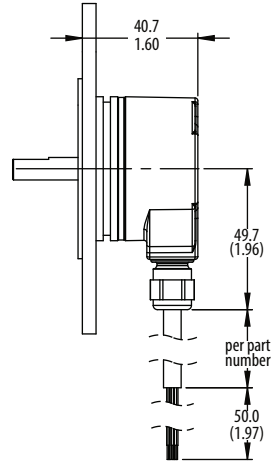


PY Flange Mounting with Radial MS Connector



MS Connector Options	
Type	C
6-pin	63.9 (2.52)
7-pin	63.9 (2.52)
10-pin	69.4 (2.73)

PY Flange Mounting with Radial Cable



Cable Options	
1.5 m	(4.9 ft)
5 m	(16.4 ft)
10 m	(32.8 ft)

Important User Information

Read this document and the documents listed in the additional resources section about installation, configuration, and operation of this equipment before you install, configure, operate, or maintain this product. Users are required to familiarize themselves with installation and wiring instructions in addition to requirements of all applicable codes, laws, and standards.

Activities including installation, adjustments, putting into service, use, assembly, disassembly, and maintenance are required to be carried out by suitably trained personnel in accordance with applicable code of practice.

If this equipment is used in a manner not specified by the manufacturer, the protection provided by the equipment may be impaired.

In no event will Rockwell Automation, Inc. be responsible or liable for indirect or consequential damages resulting from the use or application of this equipment.

The examples and diagrams in this manual are included solely for illustrative purposes. Because of the many variables and requirements associated with any particular installation, Rockwell Automation, Inc. cannot assume responsibility or liability for actual use based on the examples and diagrams.

No patent liability is assumed by Rockwell Automation, Inc. with respect to use of information, circuits, equipment, or software described in this manual.

Reproduction of the contents of this manual, in whole or in part, without written permission of Rockwell Automation, Inc., is prohibited.

Documentation Feedback

Your comments will help us serve your documentation needs better. If you have any suggestions on how to improve this document, complete this form, publication [RA-DU002](#), available at <http://www.rockwellautomation.com/literature/>.

Rockwell Automation maintains current product environmental information on its website at <http://www.rockwellautomation.com/rockwellautomation/about-us/sustainability-ethics/product-environmental-compliance.page>.

Allen-Bradley, Rockwell Software, Rockwell Automation, and LISTEN. THINK. SOLVE are trademarks of Rockwell Automation, Inc. Trademarks not belonging to Rockwell Automation are property of their respective companies.

Rockwell Otomasyon Ticaret A.Ş., Kar Plaza İş Merkezi E Blok Kat:6 34752 İçerenköy, İstanbul, Tel: +90 (216) 5698400

www.rockwellautomation.com

Power, Control and Information Solutions Headquarters

Americas: Rockwell Automation, 1201 South Second Street, Milwaukee, WI 53204-2496 USA, Tel: (1) 414.382.2000, Fax: (1) 414.382.4444
Europe/Middle East/Africa: Rockwell Automation NV, Pegasus Park, De Kleetlaan 12a, 1831 Diegem, Belgium, Tel: (32) 2 663 0600, Fax: (32) 2 663 0640
Asia Pacific: Rockwell Automation, Level 14, Core F, Cyberport 3, 100 Cyberport Road, Hong Kong, Tel: (852) 2887 4788, Fax: (852) 2508 1846