



Assembly Technologies

E & EA Tools

& QA Controllers

Selection & Configuration Catalog



QPM delivers value over the life cycle of the product

Lowered costs on materials and labor.
 Reduced times for setup, fastening, rework,
 and maintenance. Increased quality,
 productivity, ergonomics and flexibility.
 Compared to pneumatic and other DC electric
 assembly tools, QPM is THE COMPLETE
 TIGHTENING SOLUTION that delivers



QPM

OTHER DC

AIR TOOLS

RETURN INVESTMENT

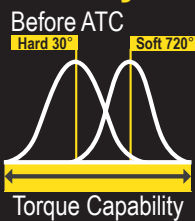


STANLEY

Assembly Technologies

QPM can improve ROI from a lower overall life cycle cost as compared to pneumatic and other DC electric tool solutions.

Quality



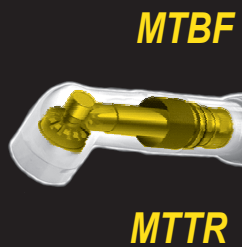
Stanley's patented Adaptive Tightening Control technology gives more consistent torque results by automatically adjusting for different joint rates.

Flexibility



QPM enables flexible manufacturing. A single tool can be set to assemble joints of different target torque levels.

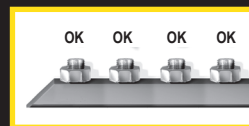
Productivity



QPM systems reduce the frequency of maintenance with increased Mean Time Between Failures from long life components.

Simple QPM construction decreases the Mean Time To Repair.

Error Proofing



QPM compares fastening results to quality limits to eliminate missed fasteners.

Ergonomics



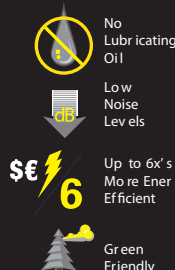
QPM ATC prevents sudden downshifting which can reduce operator fatigue and torque reaction impulse.

Modularity



Common modular controllers and tool components allow a smaller inventory of interchangeable parts.








Environment






QPM quietly and cleanly creates a better environment for your workers, their product and the globe.

QPM Tools and Controllers

Single Spindle Tool Selector 2

	E Pistol	2
	E & EA Straight Lever	2
	E Straight Motors	2
	E & EA Angle Lever	3
	E & EA Flush Angle Lever	3
	E Angle Motors	3
	E & EA Crowfoot Lever	4
	E & EA Tubenut Lever	4
	E & EA Hold & Drive Lever	5

Multiple Spindle Motor Selector 6

	E Straight Retractable Motors	6
	E Offset Retractable Motors	6
	E Angle Retractable Motors	7

Tool Specification and Configuration

EA Straight Lever	8
EA Angle Lever	8
EA Flush Angle Lever	9
EA Crowfoot Lever	10
EA Tubenut Lever	11
EA Hold & Drive Lever	13
E Pistol	20
E Straight Lever	22
E Straight Motors	24
E Angle Lever	25
Special Output Options	25
E Flush Angle Lever	28
E Angle Motors	30
Flush Angle Socket Selection	31
E Crowfoot Lever	32
E Tubenut Lever	34
Standard Socket Options	35
E Hold & Drive Lever	36
Hold & Drive Options	38
E Straight Retractable	44
E Offset Retractable	47
E Angle Retractable	49
Cables for EA Tools	14
Cables for E Tools	51
Controllers for EA and E Tools	15
Socket Trays, Mounting Options, Protection and Test Fixtures	19
Warranty	Back Inside Cover

How to Use the QPM Catalog

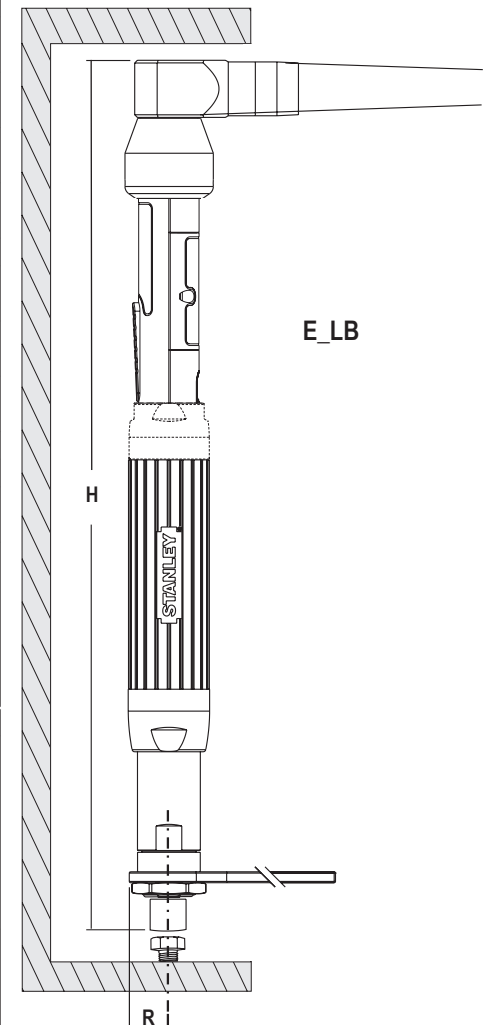
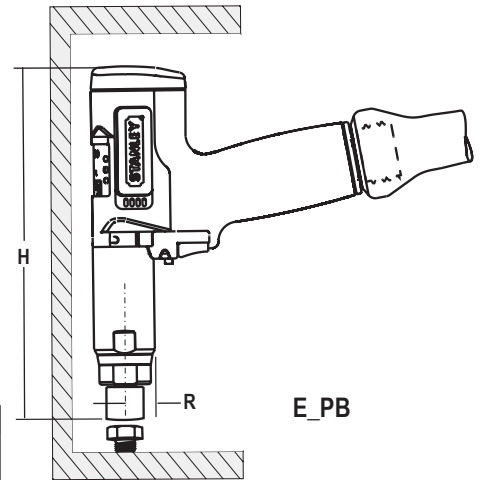
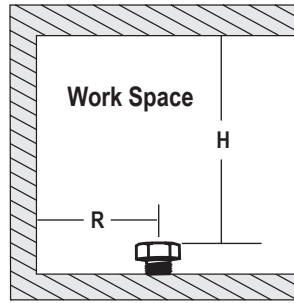
1. To select a tool using job criteria, see either the Single Spindle or Multiple Spindle Tool Selector.
2. To configure a specific tool, see the pages under Tool Specification and Configuration.
3. Select required cables, controllers and accessories.

Single Spindle Tool Selector

Selection Instructions:

1. Select the **Tool Style** and **Output Type**.
2. Select the **Torque Range** that fits the fastener torque.
3. Ensure **Tool Clearance** fits your **Work Space**.
4. Find the **Catalog Model** and **Page**.

NOTE: All **Tool Styles** are operator controlled except **Motors**. Also consider tool ergonomics when selecting **Tool Style** and **Output**.



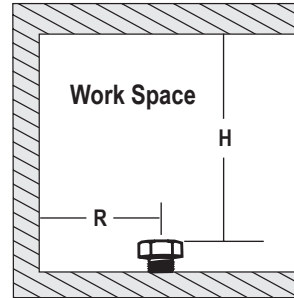
Output Type		Tool Clearance						Catalog Model	Page		
Tool Style	Torque Range	"R" Side to Center		"H" Height/QC Chuck							
		Nm	ft lb	mm	inch	mm	inch				
P I S T O L	S T R A I G H T	0.7 - 2	0.5 - 1.5	18	0.7	197	7.7	E02PB-2	20		
		1 - 5	0.7 - 3.5	18	0.7	211	8.3	E02PB-5			
		1.3 - 4	1 - 3	20	0.8	222	8.7	E12PB-4			
		3 - 10	2 - 7	20	0.8	236	9.3	E12PB-10			
							"H" Height/Std Socket				
					mm	inch					
			4 - 17	3 - 12.5	20	0.8	250	9.8	E12PB-17	20	
			2.5 - 8	2 - 6	26	1.04	286	11.2	E23PB-8		
			5 - 31	4 - 23	26	1.04	301	11.8	E23PB-31		
			2.5 - 42	4 - 30	26	1.04	326	12.8	E33PB-42		
		60 - 100	44 - 74	32	1.25	375	15	E34PB1-100	21		
		47 - 155	35 - 115	34	1.34	520	20.5	E35PB2-155			
		81 - 340	60 - 252	44	1.72	558	22	E35PB4-340			
						"H" Height/QC Chuck					
				mm	inch						
L E V E R	S T R A I G H T	0.6 - 4	0.4 - 3	18	0.7	256	10.1	E12LB-4	22		
		2 - 10	1.3 - 7.4	18	0.7	270	10.6	E12LB-10			
							"H" Height/Std Socket (90° cable except E12 Models)				
					mm	inch					
			4 - 17	3 - 12.5	21	0.83	410	16.2	E12LB-17	22	
			2 - 7	1.5 - 5	21	0.83	424	16.7	EA23LB-7		
			4 - 31	3 - 23	21	0.83	439	17.3	EA23LB-31	8	
			2.5 - 8	2 - 6	24	0.9	496	19.5	E23LB-8		
			5 - 31	4 - 23	24	0.9	511	20.1	E23LB-31	22	
			4.5 - 15	3.3 - 11	21	0.83	450	17.7	EA33LB-15		
			7.5 - 40	5.5 - 30	21	0.83	465	18.3	EA33LB40	8	
			10 - 40	7 - 30	24	0.9	536	21.1	E33LB-40		
			18 - 100	13 - 74	25	1	514	20.2	EA34LB1-100	8	
			18 - 100	13 - 74	32	1.25	585	23	E34LB1-100		
			20 - 100	15 - 74	32	1.25	594	23.4	E44LB1-100	22	
			48 - 250	35 - 184	34	1.35	660	26	E45LB2-250		
			38 - 250	28 - 184	34	1.35	687	27.1	E55LB2-250	23	
			97 - 322	71 - 237	35	1.4	700	27.5	E55LB3-322		
			141 - 623	104 - 459	44	1.7	748	29.4	E55LB4-623		
		307 - 1023	226 - 754	48	1.9	778	30.6	E55LB5-1023			
		491 - 2005	362 - 1479	48	1.9	810	31.9	E55LB5-2005			
M O T O R S	S T R A I G H T	0.6 - 17	0.4 - 12.5	21	0.83	410	16.2	E12LP-17	23		
		2.5 - 8	2 - 6	24	0.9	439	17.3	E23MB-8			
				5 - 31	4 - 23	24	0.9	454	17.9	E23MB-31	24
				10 - 40	7 - 30	24	0.9	479	18.9	E33MB-40	
				18 - 100	13 - 74	32	1.25	528	20.8	E34MB1-100	
				20 - 100	15 - 74	32	1.25	537	21.2	E44MB1-100	
				48 - 250	35 - 184	34	1.35	603	23.8	E45MB2-250	25
				38 - 250	28 - 184	34	1.35	630	24.9	E55MB2-250	
				97 - 322	71 - 237	35	1.4	643	25.3	E55MB3-322	
				141 - 623	104 - 459	44	1.7	691	27.2	E55MB4-623	
				307 - 1023	226 - 754	48	1.9	721	28.4	E55MB5-1023	25
		491 - 2005	362 - 1479	48	1.9	753	29.7	E55MB5-2005			

Single Spindle Angle Tool Selector

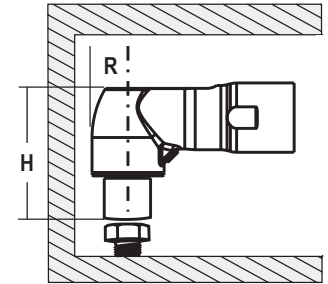
Selection Instructions:

1. Select the **Tool Style** and **Output Type**.
2. Select the **Torque Range** that fits the fastener torque.
3. Ensure **Tool Clearance** fits your **Work Space**.
4. Find the **Catalog Model** and **Page**.

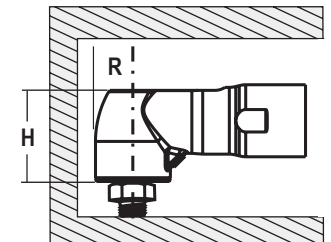
NOTE: All **Tool Styles** are operator controlled except **Motors**. Also consider tool ergonomics when selecting **Tool Style** and **Output**.



Output Type Tool Style	Tool Clearance						Catalog Model	Page
	Torque Range		"R" Side to Center		"H" Height/Std Socket			
	Nm	ft lb	mm	inch	mm	inch		
LEVER ANGLE	0.6 - 6	0.4 - 4.4	10	0.4	56	2.2	E12LA10-6	25
	3 - 18	2.2 - 13	13	0.5	72	2.8	E12LA13-18	
	7 - 23	5 - 17	14	0.55	73	2.9	E12LA14-23	26
	2 - 6	1.3 - 4.4	10	0.4	55	2.2	EA23LA10-6	8
	3 - 18	2.2 - 13	13	0.5	71	2.8	EA23LA13-18	
	3.5 - 11	2.5 - 8	13	0.5	71	2.8	E23LA13-11	26
	12 - 46	9 - 34	17.5	0.69	78	3.1	EA33LA18-46	8
	14 - 46	10 - 34	17.5	0.69	78	3.1	E33LA18-46	26
	15 - 48	10.5 - 35	19	0.75	85	3.4	EA33LA19-48	8
	18 - 60	13 - 44	19	0.75	98	3.9	EA33LA19-60	
	15 - 60	10.5 - 44	19	0.75	85	3.4	E33LA19-60	26
	24 - 80	18 - 59	19	0.75	98	3.9	EA34LA19-80	9
	21 - 70	15 - 51.5	19	0.75	98	3.9	E34/44LA19-70	26
	30 - 120	22 - 88.5	22	0.88	101	4.0	EA34LA22-120	9
	30 - 115	22 - 85	22	0.88	101	4.0	E34LA22-115	26
	30 - 120	22 - 88.5	22	0.88	101	4.0	E44LA22-120	
45 - 201	33 - 148	26	1.02	117	4.6	E45LA26-201	27	
33 - 221	22 - 163	26	1.02	117	4.6	E55LA26-221		
101 - 401	75 - 295	32	1.25	138	5.4	E55LA32-401		
LEVER ANGLE FLUSH	3 - 11	2.2 - 13	13	0.5	35	1.4	E12LA13-11	28
	3 - 18	2.2 - 13	13	0.5	35	1.4	EA23LA13-18	9
	3.5 - 11	2.5 - 8	13	0.5	35	1.4	E23LA13-11	28
	14 - 41	10 - 34	17.5	0.69	47	1.9	E33LA18-46	28
	15 - 60	10.5 - 44	19	0.75	49	1.9	EA33LA19-60	9
	15 - 60	10.5 - 44	19	0.75	47	1.9	E33LA19-60	28
	24 - 80	18 - 59	19	0.75	49	1.9	EA34LA19-80	9
	21 - 70	15 - 51.5	19	0.75	50	2.0	E34/44LA19-70	26
	30 - 120	22 - 88.5	22	0.88	50	2	EA34LA22-120	9
	30 - 115	22 - 85	22	0.88	47	1.9	E34LA22-115	
	30 - 120	22 - 88.5	22	0.88	50	2.0	E44LA22-120	29
45 - 201	33 - 148	26	1.02	60	2.4	E45LA26-201		
33 - 221	22 - 163	26	1.02	60	2.4	E55LA26-221		
101 - 337	75 - 248	32	1.25	71	2.8	E55LA32-337		
MOTOR ANGLE	14 - 46	10 - 34	17.5	0.69	78	3.1	E33MA18F0-46	30
	15 - 60	10.5 - 44	19	0.75	85	3.4	E33MA19F0-60	
	21 - 70	15 - 51.5	19	0.75	98	3.9	E34/44MA19-70	
	30 - 101	22 - 75	22	0.88	101	4.0	E44MA22-101	
	30 - 120	22 - 88.5	22	0.88	101	4.0	E44MA22-120	
	45 - 201	33 - 148	26	1.02	117	4.6	E45MA26-201	
	33 - 221	22 - 163	26	1.02	117	4.6	E55MA26-221	
	101 - 401	75 - 295	32	1.25	138	5.4	E55MA32-401	



Angle



Flush Angle

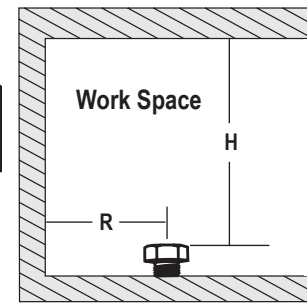
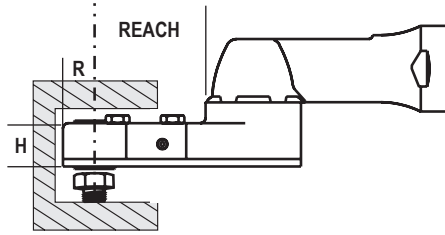
Single Spindle Crowfoot Selector

Single Spindle Crowfoot Tool Selector

Selection Instructions:

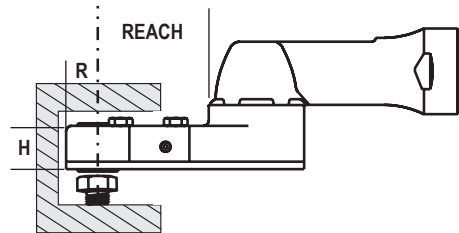
1. Select the **Tool Style** and **Output Type**.
2. Select the **Torque Range** that fits the fastener torque.
3. Ensure **Tool Clearance** fits your **Work Space**.
4. Find the **Catalog Model** and **Page**.

NOTE: All **Tool Styles** are operator controlled except **Motors**. Also consider tool ergonomics when selecting **Tool Style** and **Output**.



Output Type Tool Style	Torque Range		Tool Clearance				Reach		Max Hex Size mm (in)	Catalog Model	Page
			"R" Side to Center		"H" Height/Std Socket						
	Nm	ft lb	mm	inch	mm	inch	mm	inch			
LEVER CROWFOOT	3 - 16	2 - 12	13	0.5	16	0.64	44.5	1.75	13 (1/2)	EA23LC8-16	10
	4 - 16	3 - 12	13	0.5	16	0.64	44.5	1.75		E12/23LC8	32
	4 - 16	3 - 12	13	0.5	16	0.64	64.5	2.5		E12/23LC106	32
	4.5 - 15	3.5 - 11	13.5	0.53	16	0.64	47	1.9		EA23LC69-15	10
	8 - 27	6 - 20	13.5	0.53	16	0.64	47	1.9		EA33LC69-27	
	4.5 - 15	3.5 - 11	13.5	0.53	16	0.64	47	1.9		E23LC69-15	32
	8 - 27	6 - 20	13.5	0.53	16	0.64	47	1.9		E33LC69-27	
	9 - 30	7 - 22	16	0.63	15	0.58	45	1.8		E12LC379-30	10
	9 - 30	7 - 22	16	0.63	15	0.58	45	1.8		EA23LC379-30	
	6 - 20	4.5 - 15	16	0.63	20.5	0.81	46	1.8		EA23LC246-20	32
	12 - 38	9 - 28	16	0.63	20.5	0.81	46	1.8		EA33LC246-38	
	6.5 - 22	5 - 16	16	0.63	20.5	0.81	46	1.8		E23LC246-22	10
	12 - 38	9 - 28	16	0.63	20.5	0.81	46	1.8		E33LC246-38	
	5.5 - 18	4 - 13	16	0.63	20.5	0.81	47	1.9		EA23LC13-18	32
	9 - 30	6.5 - 22	16	0.63	20.5	0.81	47	1.9		EA33LC13-30	
	5.5 - 18	4 - 13	16	0.63	20.5	0.81	47	1.9	E23LC13-18	10	
	9 - 30	6.5 - 22	16	0.63	20.5	0.81	47	1.9	E33LC13-30		
	5 - 16	3.5 - 12	20.5	0.81	14	0.55	75	3	19 (3/4)	E23LC35-16	33
	9 - 31	7 - 23	20.5	0.81	14	0.55	75	3		E33LC35-31	
	10.5 - 35	8 - 26	20.5	0.81	14	0.55	43	1.7		EA33LC29-35	11
	13.5 - 45	10 - 33	20.5	0.81	14	0.55	43	1.7		EA34LC29-45	
	13.5 - 45	10 - 33	20.5	0.81	14	0.55	43	1.7		E34LC29-45	33
	15 - 49	11 - 36	20.5	0.81	28	1.1	71	2.8		EA34LC10-49	
	15 - 49	11 - 36	20.5	0.81	28	1.1	71	2.8		E34LC10-49	11
	26 - 88	20 - 65	20.5	0.81	28	1.1	71	2.8		E44LC10-88	
	31 - 102	23 - 75	20.5	0.81	28	1.1	39	1.5		EA44LC31-102	33
	65 - 216	48 - 159	29	1.16	31	1.2	59	2.3		E45LC21-216	

Single Spindle Tubenut Tool Selector



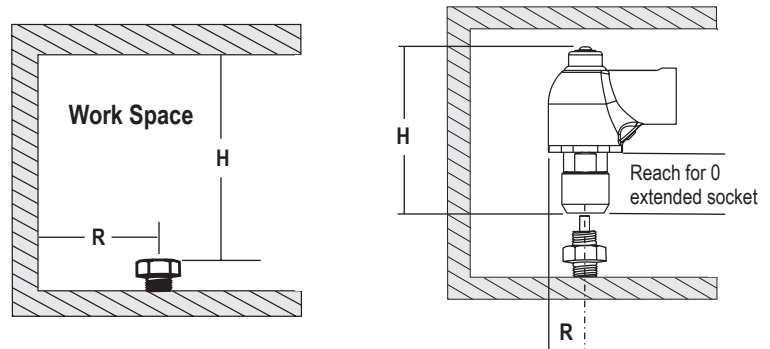
Output Type Tool Style	Torque Range		Tool Clearance				Reach		Max Hex Size mm (in)	Catalog Model	Page
			"R" Side to Center		"H" Height/Std Socket						
	Nm	ft lb	mm	inch	mm	inch	mm	inch			
LEVER TUBENUT	6.5 - 22	5 - 16	13	0.5	14	0.54	56	2.2	13 (1/2)	EA33LT252-22	11
	7.5 - 25	5.5 - 18	13	0.5	14	0.54	56	2.2		E12/23LT252	34
	4 - 25	3 - 18	13	0.5	14	0.54	34	1.3		E23LT346-25	
	7.5 - 25	5.5 - 18	13	0.5	14	0.54	34	1.3	EA33LT346-25	11	
	4 - 30	3 - 22	18.5	0.73	14.5	0.57	52	2.1	EA33LT74-30		
	4 - 30	3 - 22	18.5	0.73	14.5	0.57	52	2.1	E23LT74-30	34	
	6.5 - 22	5 - 16	21.3	0.84	18	0.7	82	3.2	EA23LT264-22		11
	6.5 - 44	5 - 32	21.3	0.84	18	0.7	82	3.2	EA33LT264-44		
	6.5 - 44	5 - 32	21.3	0.84	18	0.7	82	3.2	E23LT264-44	34	
	12 - 41	9 - 30	18.5	0.73	23	0.92	48	1.9	EA34LT23-41		11
	12 - 41	9 - 30	18.5	0.73	23	0.92	48	1.9	E34LT23-41		
	14 - 62	10 - 46	26	1.03	19.5	0.77	66	2.6	EA34LT99-62	11	
	14 - 62	10 - 46	26	1.03	19.5	0.77	66	2.6	E34LT99-62		
	31 - 102	23 - 75	26	1.03	32	1.25	66	2.6	EA44LT20-102	34	
									E44LT20-102		

Single Spindle Hold & Drive Tool Selector

Selection Instructions:

1. Select the **Tool Style** and **Output Type**.
2. Select the **Torque Range** that fits the fastener torque.
3. Ensure **Tool Clearance** fits your **Work Space**.
4. Find the **Catalog Model** and **Page**.

NOTE: All **Tool Styles** are operator controlled except **Motors**. Also consider tool ergonomics when selecting **Tool Style** and **Output**.



Output Type Tool Style	Tool Clearance								Catalog Model	Page	
	Torque Range		"R" Side to Center		1" Travel		Minimum Reach				
	Nm	ft lb	mm	inch	mm	inch	mm	inch			
L E V E R & D R I V E	14 - 46	10 - 34	17.5	0.69	109	4.28	52	2	EA33LH18V1-46	13	
	11 - 46	8 - 34	17.5	0.69	109	4.28	52	2	E23/33LH18V1-46	36	
	23 - 110	17 - 81	22	0.88	99	3.88	32	1.3	EA34LN22V1-110	13	
	20 - 110	16 - 81	22	0.88	99	3.88	32	1.3	E_4LN22V1-110	36	
	23 - 110	17 - 81	22	0.88	118	4.65	51	2	EA34LH22V1-110	13	
	20 - 110	16 - 81	22	0.88	118	4.65	51	2	E_4LH22V1-110	36	
	43 - 191	32 - 141	26	1.02	96	3.8	30	1.2	E45LN26V1-191	37	
	29 - 210	21 - 155	26	1.02	96	3.8	30	1.2	E55LN26V1-210		
	43 - 191	32 - 141	26	1.02	114	4.62	43	1.7	E45LH26V1-191		
	29 - 210	21 - 155	26	1.02	114	4.62	43	1.7	E55LH26V1-210		
	96 - 380	71 - 280	32	1.25	155	6.1	60	2.4	E55LH32V1-380		
		Torque Range		"R" Side to Center		2" Travel		Minimum Reach		Catalog Model	Page
		Nm	ft lb	mm	inch	mm	inch	mm	inch		
		14 - 46	10 - 34	17.5	0.69	142	5.58	82	3.3	EA33LH18V2-46	13
11 - 46		8 - 34	17.5	0.69	142	5.58	82	3.3	E_3LH18V2-46	36	
23 - 110		17 - 81	22	0.88	137	5.40	62	2.4	EA34LN22V2-110	13	
20 - 110		16 - 81	22	0.88	137	5.40	62	2.4	E_4LN22V2-110	36	
23 - 110		17 - 81	22	0.88	144	5.68	81	3.2	EA34LH22V2-110	13	
20 - 110		16 - 81	22	0.88	144	5.68	81	3.2	E_4LH22V2-110	36	
43 - 191		32 - 141	26	1.02	140	5.65	73	2.9	E45LH26V2-191	37	
29 - 210		21 - 155	26	1.02	140	5.65	73	2.9	E55LH26V2-210		
96 - 380	71 - 280	32	1.25	180	7.1	87	3.4	E55LH32V2-380			

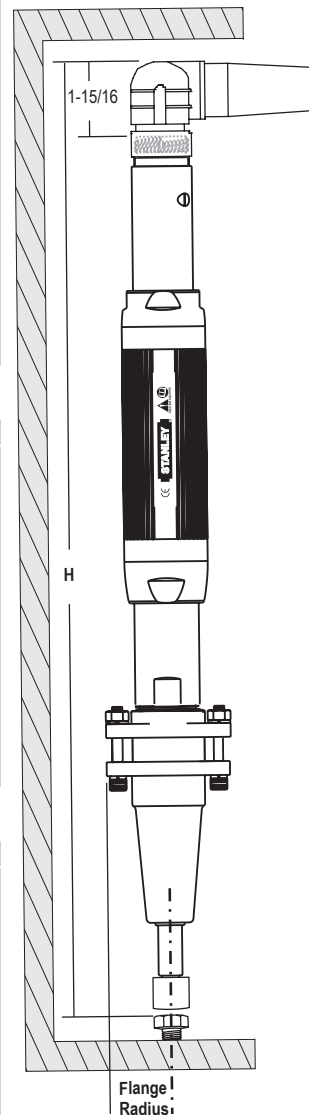
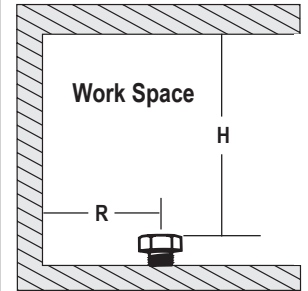
Multiple Spindle Straight/ Offset Selector

Multiple Spindle Motor Selector

Output Type Tool Style	Tool Clearance (90° cable)						Tool Removal	Catalog Model	Page			
	Torque Range		Flange Radius		3/4 & 1" Travel "H" Height/Std Socket							
	Nm	ft lb	mm	inch	mm	inch						
MOTOR STRAIGHT	S	2.5 - 8	2 - 6	48	1.88	544	21.4	Front Only	E23MBF1-8	44		
	T	6 - 31	5 - 23	48	1.88	557	21.9		E23MBF131			
	A	10 - 40	7 - 30	48	1.88	582	22.9		E33MBF1-40			
	S	2.5 - 8	2 - 6	35	1.38	544	21.4	Front or Rear	E23MBF1-8F			
	T	6 - 31	5 - 23	35	1.38	556	21.9		E23MBF1-31F			
	A	10 - 40	7 - 30	35	1.38	582	22.9		E33MBF1-40F			
	H	18 - 100	13 - 74	49	1.94	631	24.8	Front or Rear	E34MB1F1-100		44	
	T	20 - 100	15 - 74	49	1.94	640	25.2		E44MB1F1-100			
	A	48 - 160	35 - 118	49	1.94	727	28.7		E45MB2F1-160			
	R	38 - 200	28 - 147	49	1.94	755	29.8	Front Only	E55MB2F1-200			46
E	75 - 250	55 - 184	56	2.19	744	29.2	E45MB3F1-250					
T	75 - 250	55 - 184	56	2.19	772	30.3	E55MB3F1-250					
R	97 - 322	71 - 237	56	2.19	850	33.4	Front or Rear	E55MB3F1-322	46			
A	141 - 623	104 - 459	72	2.84	943	37.04		E55MB4F1-623				
C	307 - 1023	226 - 754	80	3.16	988	38.84		E55MB5F1-1023				
T	491 - 2005	362 - 1479	80	3.16	1020	40.04	2" Travel	E55MB5F1-2005		44		
A	Torque Range		Flange Radius		"H" Height/Std Socket			Tool Removal			Catalog Model	
B	Nm	ft lb	mm	inch	mm	inch						
L	E	2.5 - 8	2 - 6	48	1.88	634	25	Front Only			E23MBF2-8	
T	6 - 31	5 - 23	48	1.88	648	25.5	E23MBF2-31					
A	10 - 40	7 - 30	48	1.88	674	26.5	E33MBF2-40					
S	2.5 - 8	2 - 6	35	1.38	634	24.9	Front or Rear	E23MBF2-8F			45	
T	6 - 31	5 - 23	35	1.38	648	25.5		E23MBF2-31F				
A	10 - 40	7 - 30	35	1.38	674	26.5		E33MBF2-40F				
H	18 - 100	13 - 74	49	1.94	716	28.2	Front or Rear	E34MB1F2-100	45			
T	20 - 100	15 - 74	49	1.94	725	25.2		E44MB1F2-100				
A	48 - 160	35 - 118	49	1.94	778	30.7		E45MB2F2-160				
R	38 - 200	28 - 147	49	1.94	786	31.8	Front or Rear	E55MB2F2-200		46		
E	75 - 250	55 - 184	56	2.19	823	32.4		E45MB3F2-250				
T	75 - 250	55 - 184	56	2.19	851	33.5		E55MB3F2-250				
R	97 - 322	71 - 237	56	2.19	929	36.5	Front or Rear	E55MB3F2-322				46
A	141 - 623	104 - 459	72	2.84	1057	41.5		E55MB4F2-623				
C	307 - 1023	226 - 754	80	3.16	1093	42.9		E55MB5F2-1023				
T	491 - 2005	362 - 1479	80	3.16	1125	44.1	3/4 & 1" Travel	E55MB5F2-2005			47	
A	Torque Range		"R" Side to Center		"H" Height/Std Socket			Tool Removal	Catalog Model			
B	Nm	ft lb	mm	inch	mm	inch						
L	O	2 - 7	105 - 5	13	0.5	544	21.4	Front Only	E23MDF1-7			
T	6 - 27	4 - 20	13	0.5	557	21.9	E23MDF1-27					
A	9 - 36	6.5 - 27	13	0.5	583	22.9	E33MDF1-36					
S	2 - 7	1.5 - 5	13	0.5	544	21.4	Front or Rear	E23MDF1-7F	48			
T	6 - 27	4 - 20	13	0.5	557	21.9		E23MDF1-27F				
A	9 - 36	6.5 - 27	13	0.5	583	22.9		E33MDF1-36F				
H	16 - 90	12 - 66	17	0.67	631	24.8	Front Only	E34MD1F1-90		48		
T	17.5 - 90	13 - 66	17	0.67	640	25.2		E44MD1F1-90				
A	43 - 144	32 - 106	19	0.75	711	28		E45MD2F1-144				
R	34 - 180	25 - 133	19	0.75	739	29.1	Front Only	E55MD2F1-180			49	
E	43 - 225	32 - 166	25.4	1	744	29.2		E45MD3F1-225				
T	54 - 225	33 - 166	25.4	1	772	30.3		E55MD3F1-225				
C	87 - 290	64 - 214	25.4	1	826	32.5	2" Travel	E55MD3F1-290				49
A	Torque Range		"R" Side to Center		"H" Height/Std Socket			Tool Removal	Catalog Model			
B	Nm	ft lb	mm	inch	mm	inch						
L	E	2 - 7	105 - 5	13	0.5	621	24	Front Only	E23MDF2-7			
T	6 - 27	4 - 20	13	0.5	636	25	E23MDF2-27					
A	9 - 36	6.5 - 27	13	0.5	661	26	E33MDF2-36					
S	2 - 7	1.5 - 5	13	0.5	634	25	Front or Rear	E23MDF2-7F	48			
T	6 - 27	4 - 20	13	0.5	647	25.4		E23MDF2-27F				
A	9 - 36	6.5 - 27	13	0.5	672	26		E33MDF2-36F				
H	16 - 90	12 - 66	17	0.67	716	28.2	Front Only	E34MD1F2-90		48		
T	17.5 - 90	13 - 66	17	0.67	728	28.6		E44MD1F2-90				
A	43 - 144	32 - 106	19	0.75	800	31.4		E45MD2F2-144				
R	34 - 180	25 - 133	19	0.75	818	32.2	Front Only	E55MD2F2-180			49	
E	43 - 225	32 - 166	25.4	1	823	32.4		E45MD3F2-225				
T	54 - 225	33 - 166	25.4	1	851	33.5		E55MD3F2-225				
C	87 - 290	64 - 214	25.4	1	906	35.6	3/4 & 1" Travel	E55MD3F2-290				49
A	Torque Range		"R" Side to Center		"H" Height/Std Socket			Tool Removal	Catalog Model			
B	Nm	ft lb	mm	inch	mm	inch						

- Selection Instructions:**
1. Select the **Output Type**.
 2. Select the **Torque Range** that fits the fastener.
 3. Ensure **Tool Clearance** fits your **Work Space**.
 4. Find the **Catalog Model** and **Page**.

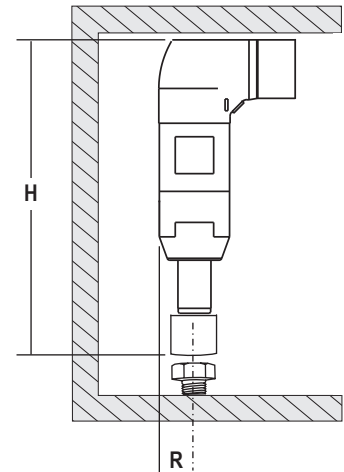
NOTE: the **Tool Removal** options for maintenance on E23/33 Models.



Multiple Spindle Angle Motor Selector

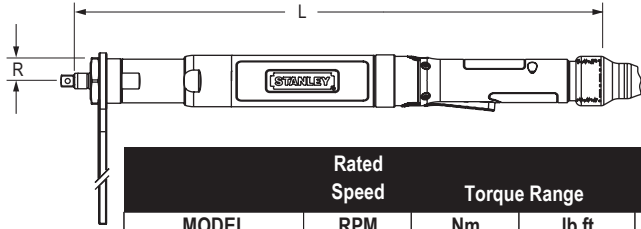
Selection Instructions:

1. Select the **Output Type**.
 2. Select the **Torque Range** that fits the fastener.
 3. Ensure **Tool Clearance** fits your **Work Space**.
 4. Find the **Catalog Model** and **Page**.
- NOTE:** All **Tool Removal** options for maintenance.



Output Type	Tool Style	Tool Clearance						Tool Removal	Catalog Model	Page
		Torque Range		Head Radius		3/4 & 1" Travel				
		Nm	ft lb	mm	inch	"H" Height/Std Socket	mm			
MOTOR	ANGLE	14 - 46	10 - 34	17.5	0.69	135	5.3	Front Only	E33MA18F1-46	49
		18 - 60	13 - 44	19	0.75	197.5	7.8		E33MA19F1-60	
		21 - 70	15 - 52	19	0.75	197.5	7.8		E34MA19F1-70	
		21 - 70	15 - 52	19	0.75	197.5	7.8		E44MA19F1-70	
		30 - 115	22 - 85	22	0.88	165	6.5		E34MA22F1-116	
	30 - 120	22 - 89	22	0.88	165	6.5	E44MA22F1-115			
	RECT	45 - 201	33 - 148	26	1.02	194	7.7		E45MA26F1-201	50
		33 - 221	22 - 163	26	1.02	204	8		E55MA26F1-221	
		101 - 401	75 - 295	32	1.25	245	9.6		E55MA32F1-401	
									2" Travel	
Torque Range		Head Radius		"H" Height/Std Socket						
TABLE	ANGLE	14 - 46	10 - 34	17.5	0.69	176	6.9	Front Only	E33MA18F2-46	49
		18 - 60	13 - 44	19	0.75	245	9.6		E33MA19F2-60	
		21 - 70	15 - 52	19	0.75	246	9.6		E34MA19F2-70	
		21 - 70	15 - 52	19	0.75	247	9.6		E44MA19F2-70	
		30 - 115	22 - 85	22	0.88	201	7.9		E34MA22F2-116	
	30 - 120	22 - 89	22	0.88	201	7.9	E44MA22F2-115			
	RECT	45 - 201	33 - 148	26	1.02	283	11.2		E45MA26F2-201	50
		33 - 221	22 - 163	26	1.02	293	11.5		E55MA26F2-221	
		101 - 401	75 - 295	32	1.25	384	15.1		E55MA32F2-401	
									2" Travel	
Torque Range		Head Radius		"H" Height/Std Socket						

EA Straight Lever (2 to 100 Nm)

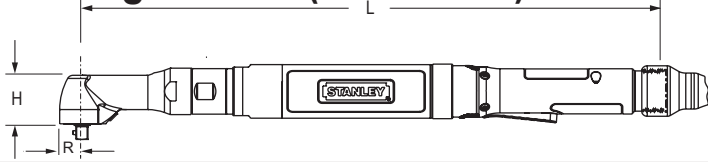


Tool Configuration
Select model and options.
See p 14-18 for Cables/Controllers.

MODEL	Rated Speed RPM	Torque Range		"R" Side to Center		"L" Length		Weight		Output	
		Nm	lb ft	mm	in	mm	in	kg	lb	Standard	Options
EA23LB-7	3140	2 - 7	1.5 - 5	21	0.8	386	15.2	1.3	2.9	3/8" SD	1/4" QC
EA23LB-12	1390	3.6 - 12	2.7 - 9	21	0.8	401	15.8	1.3	2.9	3/8" SD	1/4" QC
EA23LB-21	965	6 - 21	4.6 - 15.5	21	0.8	401	15.8	1.3	2.9	3/8" SD	
EA23LB-31	665	9 - 31	7 - 23	21	0.8	401	15.8	1.3	2.9	3/8" SD	
EA33LB-15	3465	4.5 - 15	3.3 - 11	21	0.8	412	16.2	1.4	3.1	3/8" SD	
EA33LB-25	1530	7.5 - 25	5.5 - 18	21	0.8	427	16.8	1.4	3.1	3/8" SD	
EA33LB-32	1210	10 - 32	7 - 24	21	0.8	427	16.8	1.4	3.1	3/8" SD	
EA33LB-40	1065	12 - 40	9 - 30	21	0.8	427	16.8	1.4	3.1	3/8" SD	
EA34LB1-60	745	18 - 60	13 - 44	25	1	463	18.2	1.9	4.2	1/2" SD	
EA34LB1-74	555	22 - 74	17 - 55	25	1	463	18.2	1.9	4.2	1/2" SD	
EA34LB1-100	495	30 - 100	22 - 74	25	1	463	18.2	1.9	4.2	1/2" SD	

Standard Configuration	Handle Options	Mounting Options
Rear Facing Lever	20H207910 Rubber Grip	A8606 Base Mount EA23/33
Reaction Bar:	20H100008 Front Facing Lever	20K100100 Reaction Bar Steel EA23/33
F3698 Aluminum (EA23 Models)		20K100300 Flange Mount EA34
20K100100 Steel (EA33 Models, EA23 Option)		20K100500 Base Mount EA34
20K100000 Steel (EA34)		20K101000 Flange Mount EA23/33
		20K101400 Swivel Bail EA23/33
		20K200000 Swivel Bail EA34

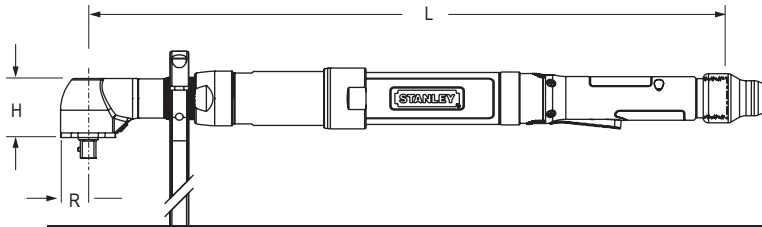
EA Angle Lever (2 to 80 Nm)



MODEL	Rated Speed RPM	Torque Range		"R" Side to Center		"H" Head Height		"L" Length		Weight		Output
		Nm	lb ft	mm	in	mm	in	mm	in	kg	lb	Standard
EA23LA10-6	2875	2 - 6	1.3 - 4.4	10	0.4	30	1.2	376	14.8	1	2.2	1/4" SD
EA23LA13-10	2090	3 - 10	2.2 - 7.4	13	0.5	33	1.3	379	14.9	1.1	2.4	3/8" SD
EA23LA13-18	925	5.4 - 18	4 - 13	13	0.5	33	1.3	393	15.5	1.2	2.6	3/8" SD
EA23LA15-20	1067	6 - 20	4.4 - 14.7	15	0.59	36	1.4	401	15.8	1.3	2.9	3/8" SD
EA23LA15-29	740	8.7 - 29	6.4 - 21.4	15	0.59	36	1.4	401	15.8	1.3	2.9	3/8" SD
EA33LA15-40	930	12 - 40	9 - 29	15	0.59	36	1.4	401	15.8	1.3	2.9	3/8" SD
EA33LA18-40	930	12 - 40	9 - 29	18	0.71	36	1.4	426	16.8	1.4	3.1	3/8" SD
EA33LA18-46	805	14 - 46	10 - 34	18	0.71	36	1.4	426	16.8	1.4	3.1	3/8" SD
EA33LA19-48	780	15 - 48	10.5 - 35	19	0.75	49	1.9	458	18	1.8	4	3/8" SD
EA33LA19-60	685	18 - 60	13 - 44	19	0.75	49	1.9	458	18	1.8	4	1/2" SD
EA34ALA19-80	530	24 - 80	18 - 59	19	0.75	49	1.9	475	18.7	2.3	5	1/2" SD

Standard Configuration	Handle Options	A13 Output Options	A15 Output Options
Rear Facing Lever	20H207910 Rubber Grip	A3157 1/4" Female Hex Magnetic	20D138901 1/2" SD with Pin
	20H100008 Front Facing Lever	A3156 1/4" Square Drive	20D138904 Flush Socket
Mounting Options		A3351 1/4" - 28 Threaded Female	A19 Output Options <48 Nm (35 lb ft)
20K101400 Swivel Bail EA23/33		A3158 3/8" - 24 Threaded Magnetic	20D100000 A19 Thd, 1/2" SD
Gearcase Extensions		A3441 5/16" - 24 Threaded Female	20D100006 A19 Thd 3/8 SD Ball Retainer
Add E4 to Model#	4" Extension for EA23/33 Models	F3376 Head/Advel Attachment	A19 Output Options <60 Nm (44 lb ft)
Add E6 to Model#	6" Extension for EA23/34 Models	* B3117 3/8" Double Ended SD	20D100003 Double Ended RH Thd 1/2"
Add E8 to Model#	*8" Extension for EA23/34 Models	A18 Output Options	20D100004 A19 Thd 1/2 SD Ball Retainer
Add E10 to Model#	**10" Extension for EA23/34 Models	F3832 1/4" Internal Hex	20D100001 A19, 1/2" SD Anti Vibration
*Except A13, A18, EA33_A19; ** Except A13		* F3828 3/8" Double Ended SD	* 20D100003 Double End RH Thrd 1/2" SD
Example: EA23LA15-20E4		F3831 3/8" - 24 Female Threaded	A18 Output Options
Vinyl Head Cover Options		F3973 3/8" Square Drive Paint Mark Angle Head	F3829 1/2" Square Drive
20D250705 A13	20D250702 A18	*A6473 1/2" Double Ended Square Drive	F3833 5/16" Internal Hex
20D250701 A15	20D250707 A19	20D104600 3/8" Square Drive/Ball Anti-Vibration	* For Right Hand Assembly Only
		20D104606 3/8" Square Drive/Ball	

EA Angle Lever (24 to 120 Nm)



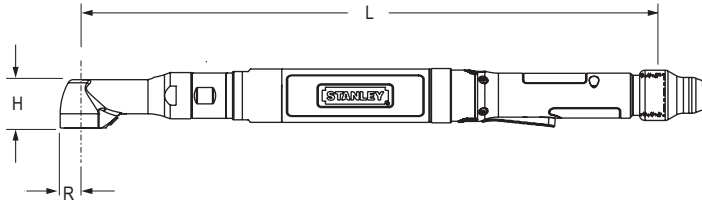
Tool Configuration
 Select model and options.
 See p See p 14-18 for Cables/Controllers.

MODEL	Rated Speed RPM	Torque Range		"R" Side to Center		"H" Head Height		"L" Length		Weight		Output
		Nm	lb ft	mm	in	mm	in	mm	in	kg	lb	Standard
EA34LA19-80	530	24 - 80	18 - 59	19	0.75	49	1.9	506	19.9	2.4	5.3	1/2" SD
EA34LA22A-100	410	30 - 100	22 - 74	22	0.88	50	2	514	20.2	2.7	5.9	1/2" SD
EA34LA22A-120	340	36 - 120	27 - 88.5	22	0.88	50	2	514	20.2	2.7	5.9	1/2" SD

Standard Configuration		A19 Output Options			Mounting Options	
Rear Facing Lever		20D100102	A19 Spline 1/2 SD Ball Retainer	20K200000	Swivel Bail EA34	
20K100000	Reaction Bar Steel	20D100101	A19 Spline, 1/2" SD Anti Vibration	20K100500	Base Mount EA34	
Gearcase Extensions		20D100107	A19 Double Ended 1/2" SD 'RH Threaded	20K100300	Flange Mount EA34	
Add E6 to Model#	6" Extension for EA34 Models					
Add E8 to Model#	8" Extension for EA34 Models					
Add E10 to Model#	10" Extension for EA34 Models					
Example: EA34LA22-120E6						

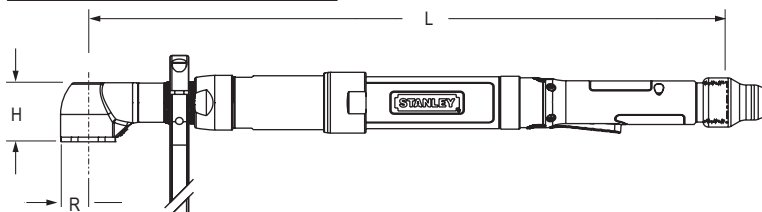
Handle Options		Vinyl Head Cover Options		A22 Output Options	
20H207910	Rubber Grip	20D250707	A19	20D100309	A22 Flush Socket
20H100008	Front Facing Lever	20D250708	A22	20D100322	A22 Double Ended 1/2" SD

EA Flush Angle Lever (3 to 120 Nm)



MODEL	Rated Speed RPM	Torque Range		"R" Side to Center		"H" Head Height		"L" Length		Weight		Output
		Nm	lb ft	mm	in	mm	in	mm	in	kg	lb	Flush Socket Head
EA23LA13-10	2090	3 - 10	2.2 - 7.4	13	0.5	35	1.4	379	14.9	1.1	2.4	20D121914
EA23LA13-18	925	5.4 - 18	4 - 13	13	0.5	35	1.4	393	15.5	1.2	2.6	
EA23LA15-20	1065	6 - 20	4.4 - 14.7	15	0.59	40	1.6	401	15.8	1.3	2.9	Contact Stanley
EA33LA15-40	930	12 - 40	9 - 29	15	0.59	40	1.6	401	15.8	1.3	2.9	
EA33LA18-40	1020	12 - 40	9 - 29	18	0.69	39	0.55	455	17.9	1.6	3.5	
EA33LA18-46	805	14 - 46	10 - 34	18	0.69	39	0.55	455	17.9	1.6	3.5	
EA33LA19-48	780	15 - 48	10.5 - 35	19	0.75	49	1.9	458	18	1.8	4	
EA33LA19-60	685	18 - 60	13 - 44	19	0.75	49	1.9	458	18	1.8	4	

Standard Configuration		Handle Options		Flush Socket Options (See p 31)		Vinyl Head Cover Options	
Rear Facing Lever		20H207910	Rubber Grip	20D250705	A13		
Mounting Options		20H100008	Front Facing Lever	20D250701	A15		
20K101400	Swivel Bail EA23/33			20D250702	A18		
Gearcase Extensions (See p 8)				20D250707	A19		

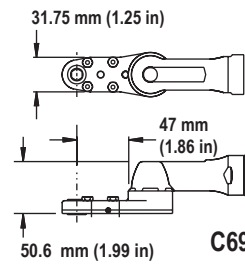
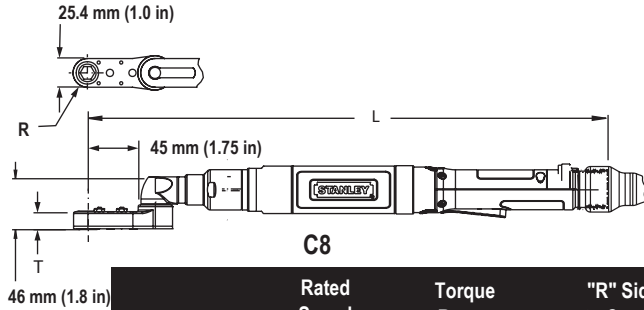


MODEL	Rated Speed RPM	Torque Range		"R" Side to Center		"H" Head Height		"L" Length		Weight		Output
		Nm	lb ft	mm	in	mm	in	mm	in	kg	lb	Flush Socket Head
EA34LA19-80	530	24 - 80	18 - 59	19	0.75	49	1.9	475	18.7	2.1	4.6	20D100106
EA34LA22A-100	410	30 - 100	22 - 74	22	0.88	50	2	514	20.2	2.7	5.9	20D100309
EA34LA22A-120	340	36 - 120	27 - 88.5	22	0.88	50	2	514	20.2	2.7	5.9	

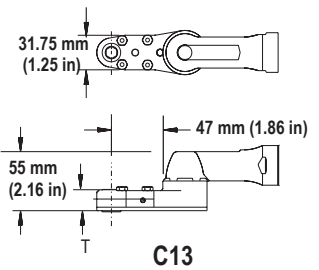
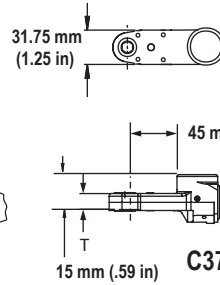
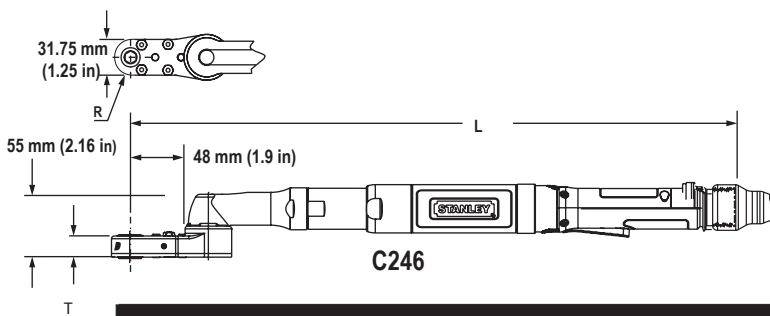
Standard Configuration		Flush Socket Options (See p 31)		Handle Options		Vinyl Head Cover Options	
Rear Facing Lever		Gearcase Extensions (See Above)		20H207910	Rubber Grip	20D250707	A19
20K100000	Reaction Bar Steel			20H100008	Front Facing Lever	20D250708	A22

EA Crowfoot Lever (4.5 to 88 Nm)

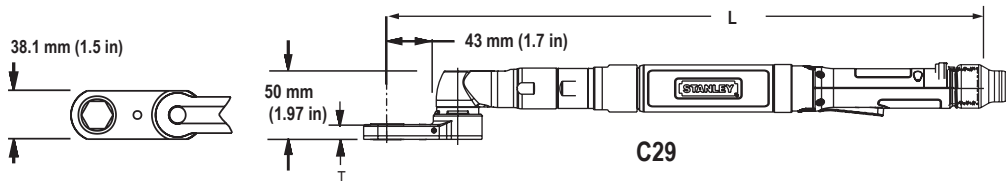
Tool Configuration
 Select model and options.
 See p 14-18 for Cables/Controllers.
 See p 35 for Standard Hex Socket Options.



MODEL	Rated Speed RPM	Torque Range		"R" Side to Center		"R" Nose Radius		"T" Thickness		"L" Length		Weight		m Hex Size
		Nm	lb ft	mm	in	mm	in	mm	in	mm	in	kg	lb	mm (in)
EA23LC8-16	730	5 - 16	3.5 - 12	13	0.5	13	0.5	16	0.64	453	17.8	1.5	3.4	13 (1/2)
EA23LC69-15	820	4.5 - 15	3.5 - 11	16	0.63	13.5	0.53	16	0.64	498	19.6	2.2	4.8	
EA33LC69-27	905	8 - 27	6 - 20	16	0.63	13.5	0.53	16	0.64	523	20.6	2.2	5	



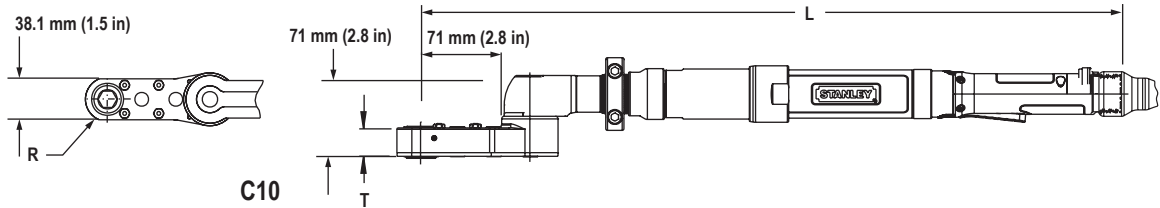
MODEL	Rated Speed RPM	Torque Range		"R" Side to Center		"R" Nose Radius		"T" Thickness		"L" Length		Weight		Maximum Hex Size
		Nm	lb ft	mm	in	mm	in	mm	in	mm	in	kg	lb	mm (in)
EA23LC379-30	410	9 - 30	6.5 - 22	16	0.6	13.5	0.53	15	0.58	460	18.1	1.6	3.6	13 (1/2)
EA23LC246-20	640	6 - 20	4.5 - 15	16	0.63	16	0.63	20.5	0.81	499	19.6	2.2	5	
EA33LC246-38	710	12 - 38	9 - 28	16	0.63	16	0.63	20.5	0.81	524	20.6	2.4	5.2	
EA23LC13-18	720	5.5 - 18	4 - 13	16	0.63	13.5	0.53	20.5	0.81	498	19.6	2.2	5	
EA33LC13-30	795	9 - 30	6.5 - 22	16	0.63	13.5	0.53	20.5	0.81	523	20.6	2.4	5.2	



MODEL	Rated Speed RPM	Torque Range		"R" Side to Center		"R" Nose Radius		"T" Thickness		"L" Length		Weight		Maximum Hex Size
		Nm	lb ft	mm	in	mm	in	mm	in	mm	in	kg	lb	mm (in)
EA33LC29-35	685	10.5 - 35	8 - 26	20.5	0.81	20.5	0.81	14	0.55	527	20.7	2.5	5.6	19 (3/4)
EA34LC29-45	530	13.5 - 45	10 - 33	20.5	0.81	20.5	0.81	14	0.55	570	22.5	2.8	6.2	

EA Crowfoot Lever (4.5 to 88 Nm)

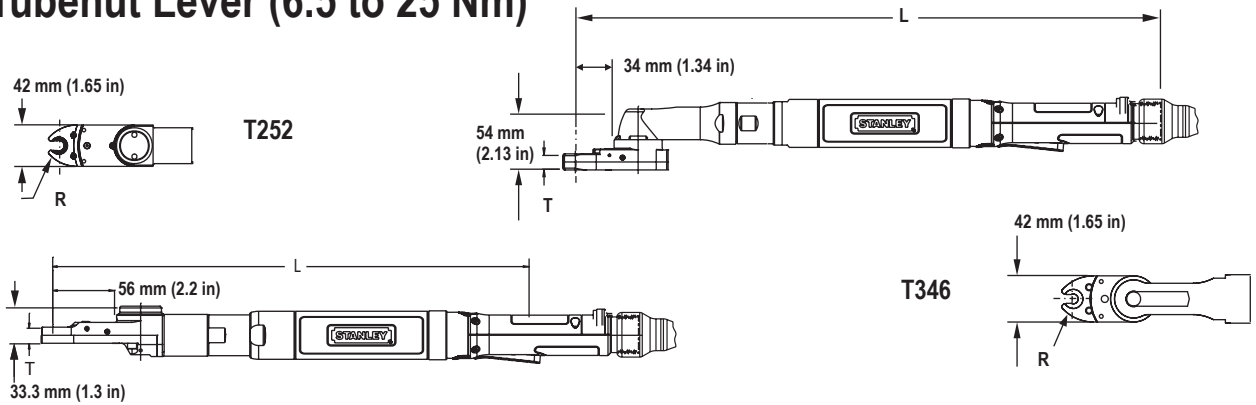
Tool Configuration
 Select model and options.
 See p 14-18 for Cables/Controllers.
 See p 35 for Standard Hex Socket Options.



MODEL	Rated Speed RPM	Torque Range		"R" Side to Center		"R" Nose Radius		"T" Thickness		"L" Length		Weight		Maximum Hex Size
		Nm	lb ft	mm	in	mm	in	mm	in	mm	in	kg	lb	mm (in)
EA34LC10-49	445	15 - 49	11 - 36	20.5	0.81	20.5	0.81	28	1.1	610	24	3.4	7.4	19 (3/4)
EA34LC10-88	360	26 - 88	20 - 65	20.5	0.81	20.5	0.81	28	1.1	610	25	3.4	7.4	

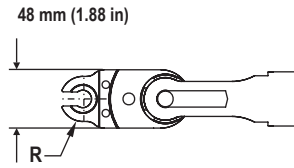
Standard Configuration		Gearcase Extensions				Includes One Integral Socket				
Rear Facing Lever Reaction Bar 20K100000 Steel (E34 Models)		Add E4 to Model# 4" Extension for EA23/33 Models Add E6 to Model# 6" Extension for EA23/34 Models Add E8 to Model# 8" Extension for EA23/34 Models Add E10 to Model# 10" Extension for EA23/34 Models Example: EA33LC29-35E4				Standard Hex Socket Options (see p 35) Contact Stanley for Special Socket Options				
Mounting Options		Vinyl Head Cover Options				Handle Options				
20K101400	Swivel Bail EA23/33	20D250723	C8	20D250712	C10	20H207910 Rubber Grip				
20K200000	Swivel Bail EA34	20D250721	C69	20D250714	C13	20H100008 Front Facing Lever				
20K100500	Base Mount EA34									
20K100300	Flange Mount EA34									

Tubenut Lever (6.5 to 25 Nm)

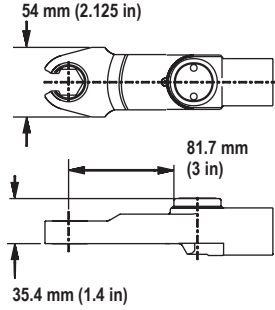
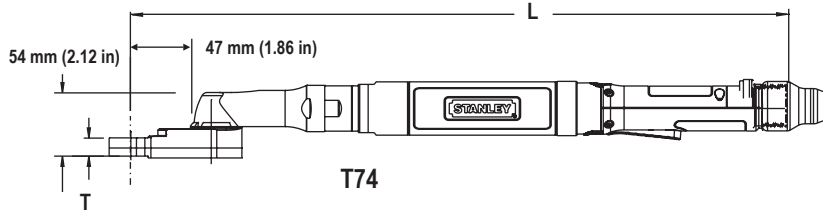


MODEL	Rated Speed RPM	Torque Range		"R" Side to Center		"R" Nose Radius		"T" Thickness		"L" Length		Weight		Maximum Hex Size	Maximum Tube Size
		Nm	lb ft	mm	in	mm	in	mm	in	mm	in	kg	lb	mm (in)	mm (in)
EA33LT252-22	1300	6.5 - 22	5 - 16	13	0.5	13	0.5	14	0.54	510	20.1	2.4	5.2	13 (1/2)	8 (5/16)
EA33LT346-25	1105	7.5 - 25	5.5 - 18	13	0.5	13	0.5	14	0.54	511	20.1	2.2	4.9		

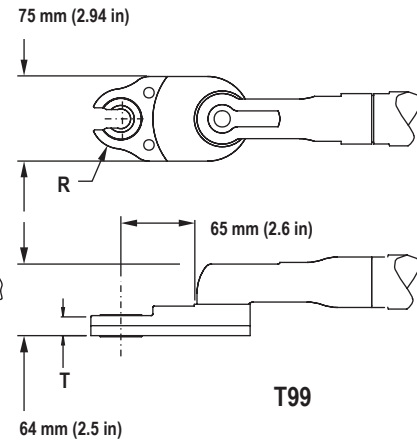
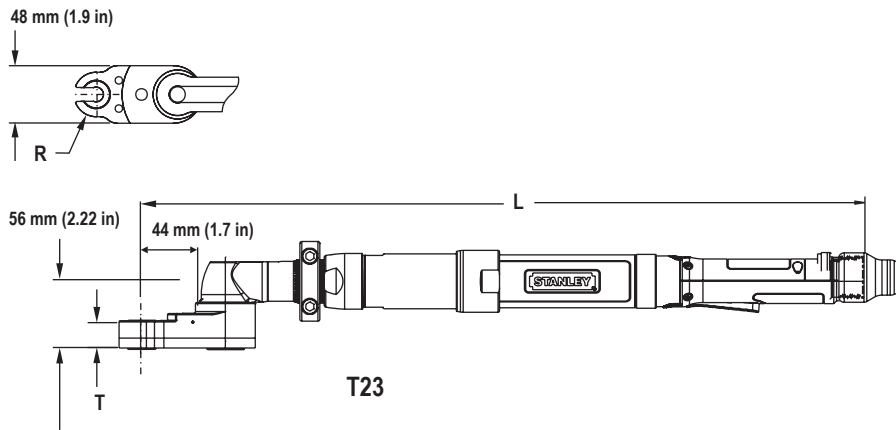
Tubenut Lever (9 to 62 Nm)



Tool Configuration
 Select model and options.
 See p 14-18 for Cables/Controllers.
 See p 35 for Standard Hex Socket Options.



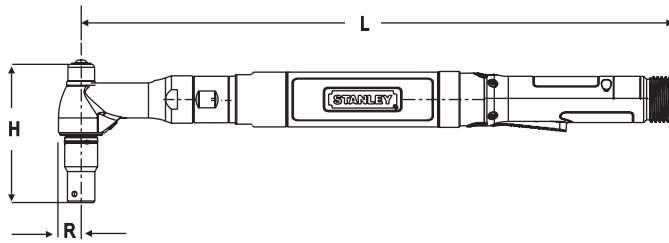
MODEL	Rated Speed RPM	Torque Range		"R" Side to Center		"R" Nose Radius		"T" Thickness		"L" Length		Weight		Maximum Hex Size	Maximum Tube Size
		Nm	lb ft	mm	in	mm	in	mm	in	mm	in	kg	lb	mm (in)	mm (in)
EA33LT74-30	805	9 - 30	6.5 - 22	18.5	0.73	18.5	0.73	14.5	0.57	517	20.3	2.4	5.3	18 (11/16)	11 (7/16)
EA23LT264-22	675	6.5 - 22	5 - 16	21.3	0.84	21.3	0.84	18	0.7	507	20	2	4.3	24 (15/16)	13 (1/2)
EA33LT264-44	740	13 - 44	9.5 - 32	21.3	0.84	21.3	0.84	18	0.7	532	21	2.1	4.6		
Standard Configuration		Handle Options		Gearcase Extensions				Includes One Integral Socket							
Rear Facing Lever		20H207910	Rubber Grip	Add E4 to Model# 4" Extension for EA23/33 Models				Standard Hex Socket Options (see p 35)							
		20H100008	Front Facing Lever	Add E6 to Model# 6" Extension for EA23/33 Models				Contact Stanley for Special Socket Options							
				Add E8 to Model# 8" Extension for EA23/33 Models											
				Add E10 to Model# 10" Extension for EA23/33 Models											
				Example: EA33LT74-30E4											
Mounting Options				Vinyl Head Cover Options											
20K101400 Swivel Bail EA23/33				20D250726 T252				20D250729 T74							
				20D250724 T346				20D250728 T264							



MODEL	Rated Speed RPM	Torque Range		"R" Side to Center		"R" Nose Radius		"T" Thickness		"L" Length		Weight		Maximum Hex Size	Maximum Tube Size
		Nm	lb ft	mm	in	mm	in	mm	in	mm	in	kg	lb	mm (in)	mm (in)
EA34LT23-41	605	12 - 41	9 - 30	18.5	0.73	18.5	0.73	23	0.92	575	22.6	3.5	7.7	18 (11/16)	11 (7/16)
EA34LT99A-62	400	12.5 - 62	19 - 62	14 - 46	1.03	26	1.03	19.5	0.77	604	23.8	3.9	8.5	27 (1 1/16)	19 (3/4)
Standard Configuration		Gearcase Extensions				Includes One Integral Socket									
Rear Facing Lever		Add E6 to Model# 6" Extension for EA34 Models				Standard Hex Socket Options (see p 35)									
Reaction Bar: 20K100000 Steel (E34 Models)		Add E8 to Model# 8" Extension for EA34 Models				Contact Stanley for Special Socket Options									
		Add E10 to Model# 10" Extension for EA34 Models													
		Example: EA34LT99-62E6													
Mounting Options		Vinyl Head Cover Options				Handle Options									
20K200000 Swivel Bail EA34		20D250727 T23				20D250730 T99									
20K100500 Base Mount EA34						20H207910 Rubber Grip									
20K100300 Flange Mount EA34						20H100008 Front Facing Lever									

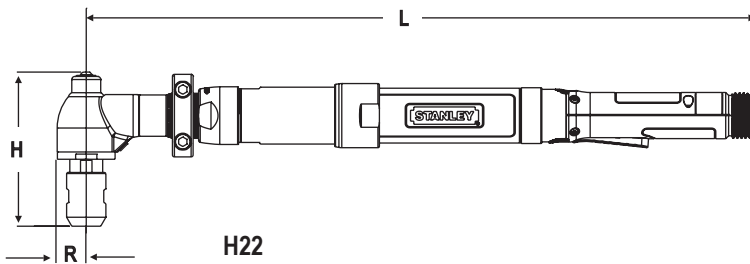
Hold & Drive Options (14 to 110 Nm)

Tool Configuration
 Select model and options.
 See pp 14-18 for Cables/Controllers.
 See pp 38-42 for Hold & Drive Options.

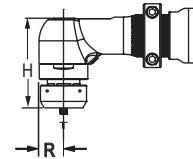


H18

MODEL	Rated Speed RPM	Torque Range		"R" Side to Center		"H" Head Height		"L" Length		Weight		Output
		Nm	lb ft	mm	in	mm	in	mm	in	kg	lb	Standard
EA33LH18V1-46	805	14 - 46	10 - 34	17.5	0.69	109	4.28	464	18.3	2	4.5	1" Tang
EA33LH18V2-46	805	14 - 46	10 - 34	17.5	0.69	142	5.58	464	18.3	2	4.5	2" Tang
Standard Configuration		H18 Output Options						Gearcase Extensions				
Rear Facing Lever		20D124600		1" Retraction H18 Bit Holder Head		Add E4 to Model#		4" Extension for EA33 Models				
Handle Options		20D124601		2" Retraction H18 Bit Holder Head		Add E6 to Model#		6" Extension for EA33 Models				
20H207910 Rubber Grip						Add E8 to Model#		8" Extension for EA33 Models				
20H100008 Front Facing Lever						Add E10 to Model#		10" Extension for EA33 Models				
Mounting Options								Example: EA33LH18-V1-46E6				
20K101400 Swivel Bail												
A3061 Wire Bail												



H22



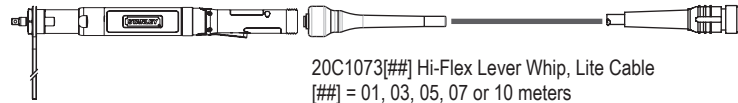
N22

MODEL	Rated Speed RPM	Torque Range		"R" Side to Center		"H" Head Height		"L" Length		Weight		Output
		Nm	lb ft	mm	in	mm	in	mm	in	kg	lb	Standard
EA34LH22AV1-77	510	23 - 77	17 - 57	22	0.88	118	4.65	361	14.2	3.15	6.8	1" Tang
EA34LH22AV2-77	510	23 - 77	17 - 57	22	0.88	144	5.68	361	14.2	3.15	6.8	1" Tang
EA34LN22AV1-77	510	23 - 77	17 - 57	22	0.88	99	3.89	361	14.2	3.15	6.8	1" Tang
EA34LN22AV2-77	510	23 - 77	17 - 57	22	0.88	137	5.40	361	14.2	3.15	6.8	1" Tang
EA34LH22AV1-110	340	33 - 110	24 - 81	22	0.88	118	4.65	361	14.2	3.15	6.8	1" Tang
EA34LH22AV2-110	340	33 - 110	24 - 81	22	0.88	144	5.68	361	14.2	3.15	6.8	1" Tang
EA34LN22AV1-110	340	33 - 110	24 - 81	22	0.88	99	3.89	361	14.2	3.15	6.8	1" Tang
EA34LN22AV2-110	340	33 - 110	24 - 81	22	0.88	137	5.40	361	14.2	3.15	6.8	1" Tang
Standard Configuration		H22 Output Options						Gearcase Extensions				
Rear Facing Lever		20D103212		1" Retraction H22 Bit Holder Head		Add E6 to Model#		6" Extension for EA34 Models				
20K100000 Reaction Bar Steel		20D103214		2" Retraction H22 Bit Holder Head		Add E8 to Model#		8" Extension for EA34 Models				
Mounting Options								Add E10 to Model# 10" Extension for EA34 Models				
20K200000 Swivel Bail EA34		20D131300		1" Retraction N22 Bit Holder Head				Example: EA34LH22AV1-77E6				
20K100500 Base Mount EA34		20D103214		2" Retraction N22 Bit Holder Head								
20K100300 Flange Mount EA34												
								Handle Options				
								20H207910 Rubber Grip				
								20H100008 Front Facing Lever				

Cables for EA Tools

Stanley's EA tool cables work with QA Kappa and QA Alpha controllers.

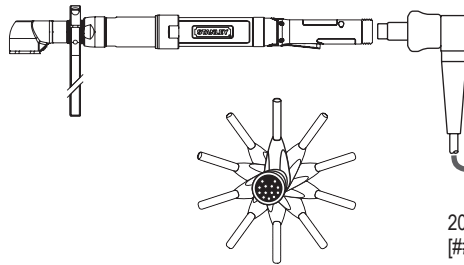
Fits
EA23-34
Lever Tools



20C1073[##] Hi-Flex Lever Whip, Lite Cable
[##] = 01, 03, 05, 07 or 10 meters

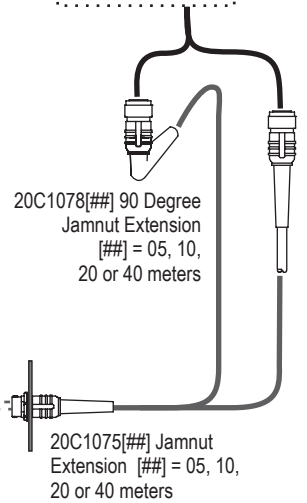


20C1076[##] Hi-Flex Lever Whip, Heavy Duty Cable
[##] = 01, 03, 05, 07 or 10 meters



20C1077[##] 90° Hi-Flex Lever Whip
[##] = 01, 03, 05, 07 or 10 meters

90° Hi-Flex Lever Whip
Adjusts to 10 Positions @ 36°



20C1078[##] 90 Degree
Jamnut Extension
[##] = 05, 10,
20 or 40 meters

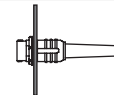
20C1075[##] Jamnut
Extension [##] = 05, 10,
20 or 40 meters

Cable Selection

Select a tool whip for the tool model.
Select an extension for the selected whip number.
Note: All High Flex cables have an 8 cm (3 in)
minimum bend radius.

NOTE:

Jamnut cables
have connectors
that can be fixed to bulkheads.





Single Spindle Controller for EA and E Tools

The QA0001 Kappa controller operates any QPM tool from 0.5 to 2000 Nm as a stand alone controller. Kappa Controllers can be set-up from the front panel on the controller, or from a laptop using the serial connection with as many as 8 jobs.

Kappa controllers include a 24 VDC 8 inputs/8 outputs connector, 24V DC mating connector, plinth, power cords and Controller Gateway software.

Specifications
15w x 36h x 20d cm
6w x 14h x 8d in
Wt. 6.7 kg (15 lb)
Power Supply: 24VDC / 1A Internal
Ready for External Job Select
Power Source: Auto Detect
115 VAC 60 Hz, 230 VAC 50 Hz
Humidity: 0 to 95 % non-cond.
Temperature: 0 - 50° C (32 - 122° F)

Step 1. Order Model No. QA0001

Step 2. Select a power cord by supply voltage and country.

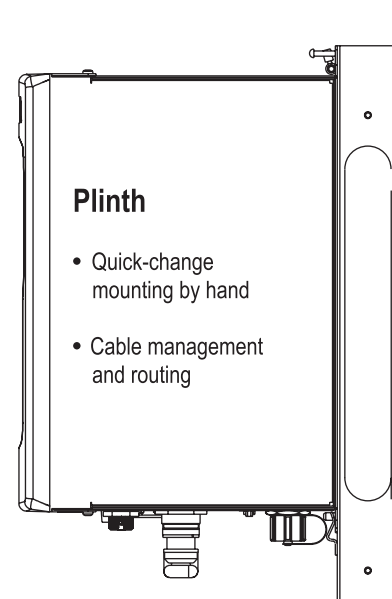
Part No.	Power Cord Description
20C102002	US Power Cord 115V, 2m
21C103902	US Power Cord 230V, 2m (6-20R)
20C102102	Euro Power Cord 230V, 2m
20C102202	UK Power Cord 230V, 2m
20C103802	Twist Lock Power Cord 115V, 2m
20C103804	Twist Lock Power Cord 115V, 4m
20C105202	Argentina Power Cord 230V, 2m
20C102101	Japan Power Cord 230V, 2m
20C102103	Australia Power Cord 230V, 2m
20C103905	China Power Cord 230V, 2m
20C102104	Brazil Power Cord 230V, 2m

Step 3. Select a Floor Stand if required.

Floor Stand Part No.	Description	QPM Spindles	Dimensions
21F100404	Floor Stand Kit	1 to 5	198h 61w 56d cm
Add /F to Model No.	Assembled System with Floor Stand		78 x 24 x 22 in

- Red, Green, Yellow LED's for Limits Evaluation
- Maintenance Due and ATC (Patented) Active LED's
- New Larger, Easy-to-Read 240 x 64 Dot Display
- Function Keys with Active Label Above
- Cursor Keys with Center Button to Expand Lists
- Numeric Keypad to Enter Numbers or Select Options

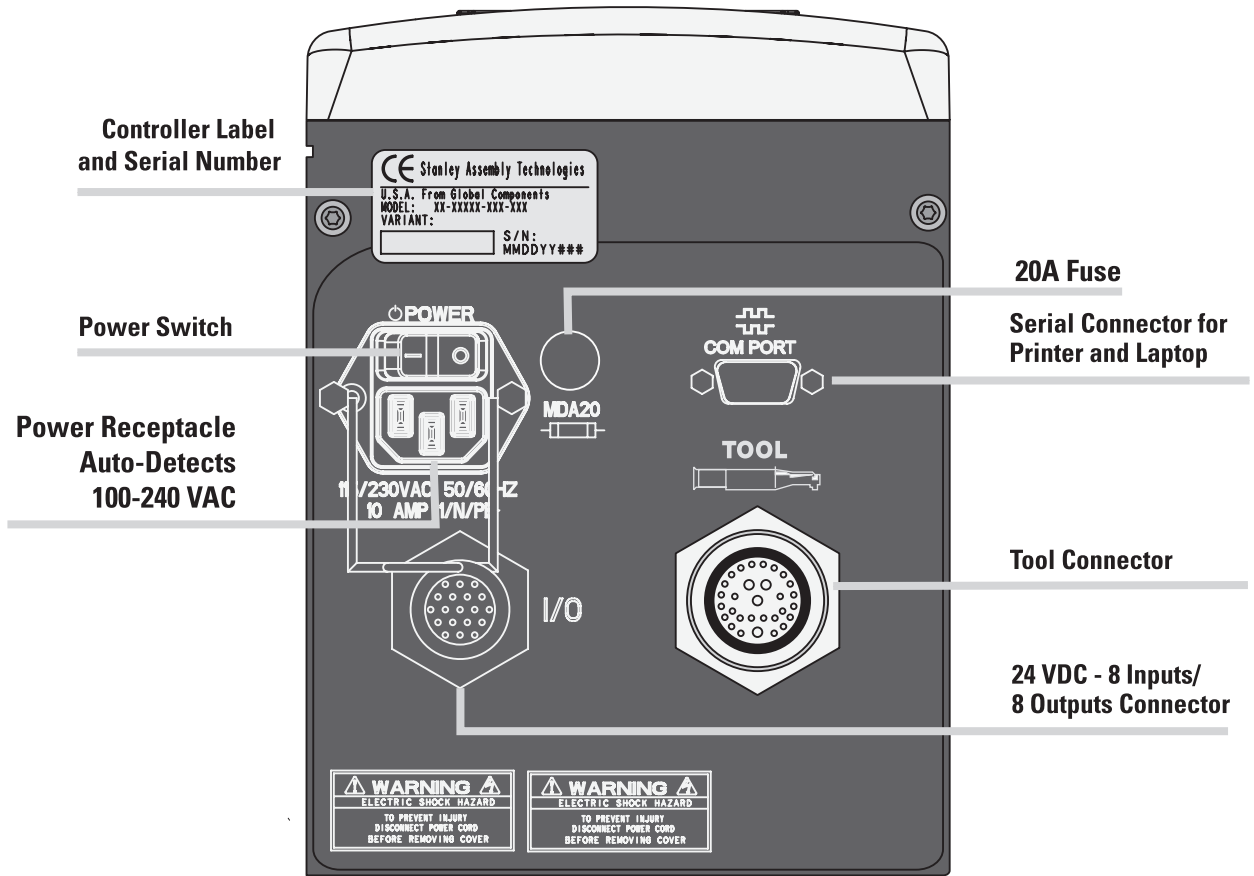
Menu driven user interface with Wizard Programming



Plinth

- Quick-change mounting by hand
- Cable management and routing

Kappa Connectivity





Single Spindle Controller for EA & EA Tools

QA1001 Alpha Controller Operates any QPM tool from 0.5 to 2000 Nm either stand-alone or as part of a networked system. Alpha Controllers can be set-up from the front panel, a laptop, or any remote computer on the network. Menu-driven user interface includes Wizard Programming.

All Alpha controllers include an Ethernet port, 2 Serial ports, a plinth, power cord and Embedded Toolbox software. Models equipped with 24V I/O include the mating connector.



New Larger, Easy-to-Read on 240 x 64 Dot Display

Menu driven user interface with Wizard Programming.

Step 1. Specify Model Number

Model Number	Ethernet 2	DeviceNet	Profibus	Profinet	I/O	Master	M12
QA1001-MDV		+			+	+	
QA1001-MDX		+				+	
QA1001-MEV	+				+	+	
QA1001-MEX	+					+	
QA1001-MPV			+		+	+	
QA1001-MPX			+			+	
QA1001-MXV					+	+	
QA1001-MXX						+	
QA1001-XDV		+			+		
QA1001-XDV-E	+	+			+		
QA1001-XDX		+					
QA1001-XEV	+				+		
QA1001-XEX	+						
QA1001-XGV		+			+		
QA1001-XMV-M					+		+
QA1001-XXM							+
QA1001-XXM-M							+
QA1001-XNV				+	+		
QA1001-XNX				+			
QA1001-XPV			+		+		
QA1001-XPX			+				
QA1001-XXV					+		
QA1001-XXX							
QA1001-XXX-M							+

Step 2. Select a power cord by supply voltage and country.

Part No.	Power Cord Description
20C102002	US Power Cord 115V, 2m
21C103902	US Power Cord 230V, 2m (6-20R)
20C102102	Euro Power Cord 230V, 2m
20C102202	UK Power Cord 230V, 2m
20C103802	Twist Lock Power Cord 115V, 2m
20C103804	Twist Lock Power Cord 115V, 4m

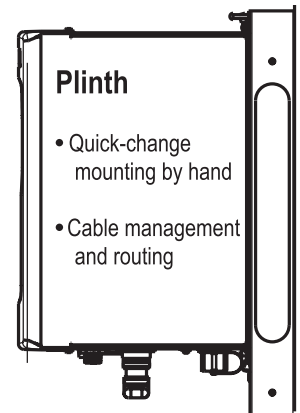
See Kappa page for complete list of power cords

Step 3. Select a 24V I/O for X_V models

Part No.	19-pin 24V I/O Port	Connection
21C104800	Mating Connector - Solder pins	Standard
21C104802	Mating Connector - Crimp pins	Optional
21C104804	Mating Connector - Crimp pins, crimp tool	Optional
21E102202	Breakout Box	Optional
21C202005	Extension Cable 5M	Optional
21C202010	Extension Cable 10M	Optional
21C202020	Extension Cable 20M	Optional

Step 4. Select a Floor Stand if required.

Floor Stand Part No.	Description	QPM Spindles	Dimensions
21F100404	Floor Stand Kit	1 to 5	198h 61w 56d cm
Add I/F to Model No.	Assembled System with Floor Stand		78 x 24 x 22 in



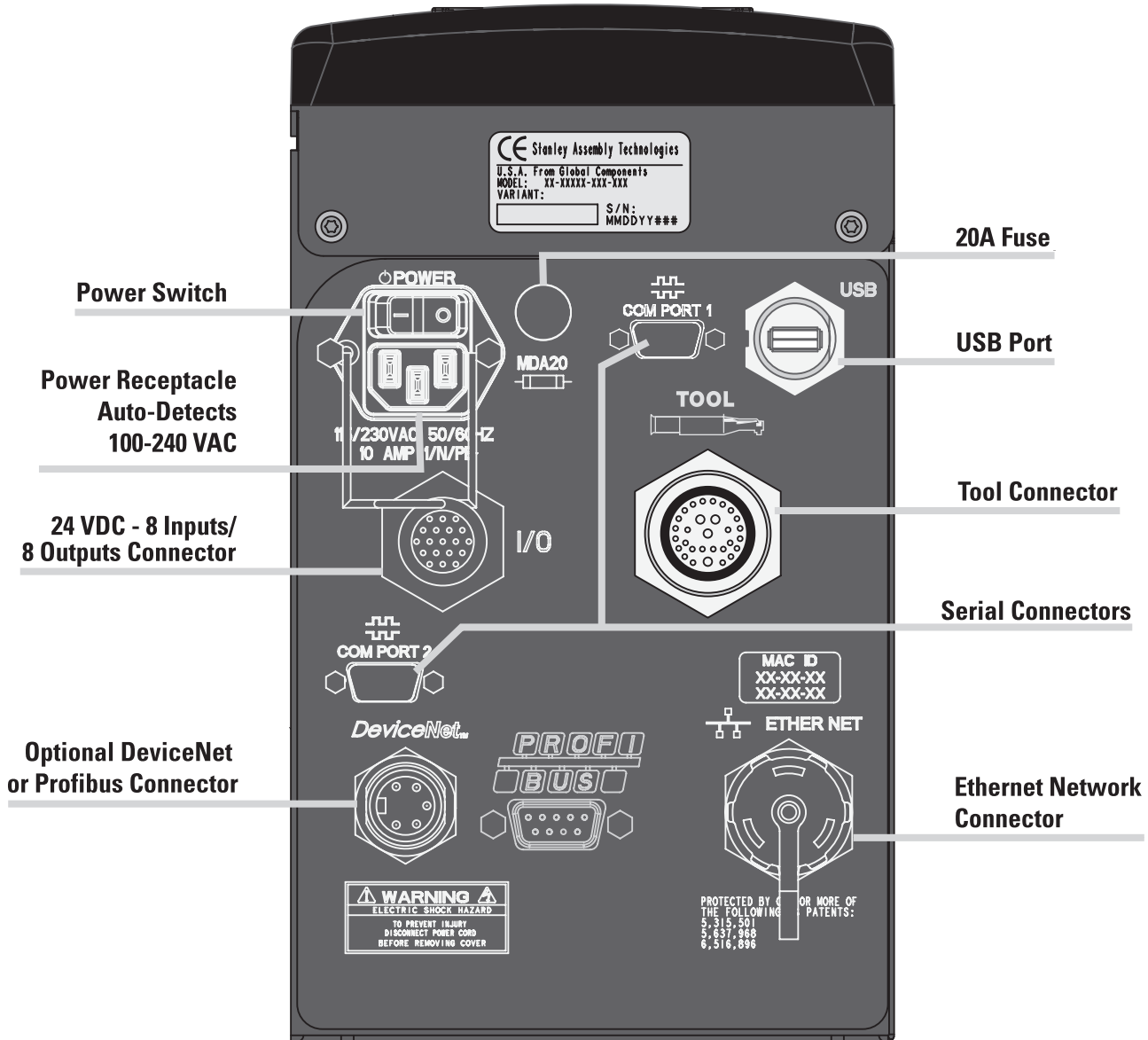
Plinth

- Quick-change mounting by hand
- Cable management and routing

QA1001 Specifications

15w x 36h x 26d cm
6w x 14h x 10d in
Wt. 7.7 kg (17 lb)
Power Supply: 1A Internal
Ready for External Job/Task Select
Power Source: Auto Detect
115 VAC 60 Hz, 230 VAC 50 Hz
Humidity: 0 to 95 % non-cond.

Alpha Connectivity Options Fit Your Plant Interface Requirements



Accessories

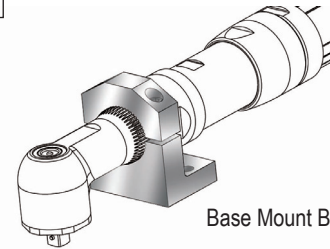
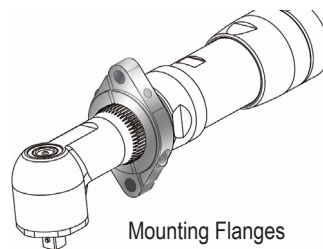
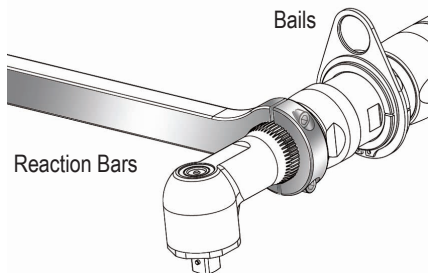
Socket Trays



DeviceNet Models	# Socket Positions	Connection	Dimensions mm	Dimensions (in)	Cable	Max Socket Diam.
QA4S04-54	4	<i>DeviceNet</i>	120x220x100	4.7 x 8.7 x 3.9		54mm
QA4S08-33	8					33mm
DeviceNet Extension Cables						
21C102101	1m	21C102110	10m	DeviceNet Tee - 21R202204		
21C102105	5m	21C102120	20m			
24VDC Models	# Socket Positions	Connection	Dimensions mm	Dimensions (in)	Cable	Max Socket Diam.
QA1S08-33	8	24V DC Connector	120x220x100	4.7 x 8.7 x 3.9	Requires Cable Below	33mm
QA1SR08-33	8					54mm
QA1S04-54	4					
QA1SR04-54	4					
24V DC Cables for QA Alpha & Kappa Controllers						
20C109007	7m					
20C109010	10m					

Mounting Options

See Tool Tables for P/N 20K _____
Mounting Options



Protective Head Covers



See Tool Tables for P/N 20D _____
Vinyl Head Cover Options

Test Fixtures

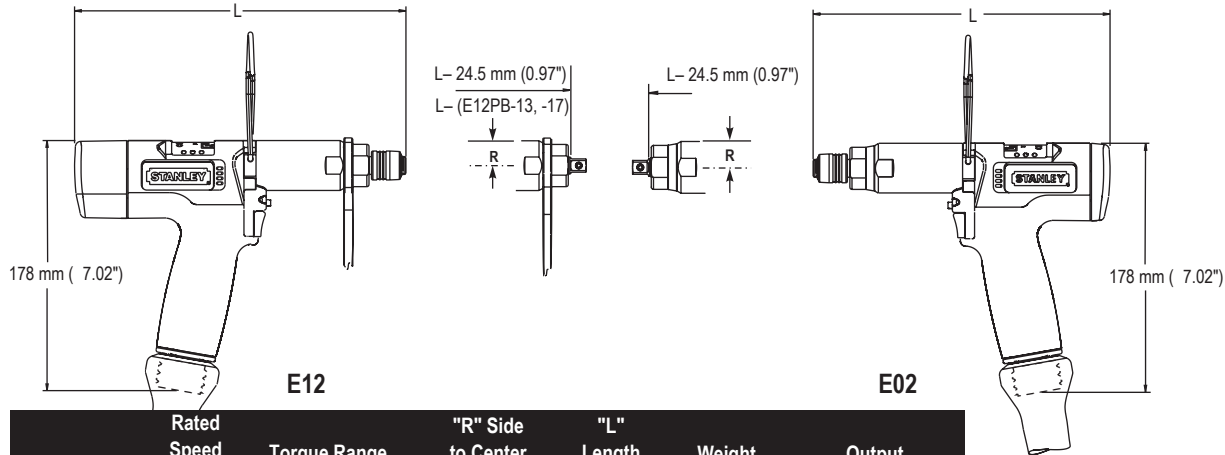


P/N 20V101000 ATC Joint Simulator
(3) 1/2 - 13 Bolts with Hard,
Medium and Soft Joints

MODEL	Joint Type	Max Input Torque		Torque Rate		Bolt Size
		Nm	lb ft	Nm	lb ft	in
T00916/S1	Soft	20	15	4	3	1/2 - 13
T00916/S2		38	28	8.7	6.4	1/2 - 13
T00915/S3		60	45	14	10.3	3/4 - 16
T00915/S4		88	65	22.6	16.7	3/4 - 16
T00915/S5		135	100	34	25	3/4 - 16
T00915/S6		200	148	50	37	3/4 - 16
T00915/H1	Hard	20	15	125	92.4	5/8 - 11
T00915/H2		40	30	285	210	5/8 - 11
T00915/H3		54	40	405	300	3/4 - 16
T00915/H4		75	55	610	450	3/4 - 16
T00915/H5		135	100	950	700	3/4 - 16
T00915/H6		200	148	1700	1257	3/4 - 16



Straight Pistol (1 to 100 Nm)



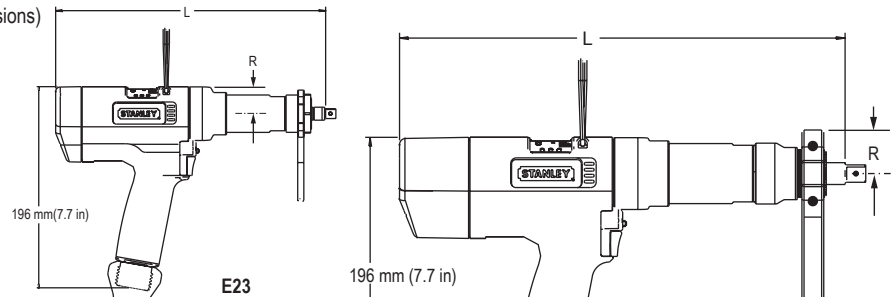
MODEL	Rated Speed (RPM)	Torque Range (Nm / lb ft)		"R" Side to Center (mm / in)		"L" Length (mm / in)		Weight (kg / lb)		Output (Standard / Options)	
E02PB-3	1620	1 - 3	0.7 - 2.2	18	0.7	211	8.3	0.8	1.7	1/4" QC	3/8" SD
E12PB-4	2535	1.3 - 4	1 - 3	20	0.8	222	8.7	0.8	1.8	1/4" QC	3/8" SD
E02PB-5	880	1.5 - 5	1 - 3.5	18	0.7	211	8.3	0.8	1.7	1/4" QC	3/8" SD
E12PB-6	1622	1.8 - 6	1.3 - 4.4	20	0.8	222	8.7	0.8	1.8	1/4" QC	3/8" SD
E12PB-10	1280	3 - 10	2 - 7	20	0.8	236	9.3	0.9	1.9	1/4" QC	3/8" SD
E12PB-13	880	4 - 13	3 - 9.5	20	0.8	212	8.3	0.9	1.9	1/4" QC	3/8" SD
E12PB-17	610	5 - 17	12.5	20	0.8	212	8.3	0.9	1.9	1/4" QC	3/8" SD

Tool Configuration
 Select model and options.
 See p 51 for E Cables.
 See pp 14-18 for QA Controllers.

Standard Configuration	Handle Options	Mounting Options
Bottom Exit Cable	20H207107 Rubber Grip	20K200007 Rear Bail Mount Kit
20K100103 Reaction Bar Aluminum (E12PB-10 thru -17)	20H206319 Top Exit Cable	A3061 Wire Bail
	20H206325 Cooling Fan Kit (Bottom Exit Cable Models Only)	

E12 Output Option

20D243503	3/8" Guided Ext Collar (See p 26 for extensions)
-----------	--



MODEL	Rated Speed (RPM)	Torque Range (Nm / lb ft)		"R" Side to Center (mm / in)		"L" Length (mm / in)		Weight (kg / lb)		Output (Standard / Options)	
E23PB-8	2245	2.5 - 8	2 - 6	26	1.04	248	9.7	1.3	2.8	3/8" SD	1/4" QC
E23PB-17	990	5 - 17	4 - 12.5	26	1.04	248	9.7	1.3	2.8	3/8" SD	1/4" QC
E23PB-21	785	6 - 21	5 - 15.5	26	1.04	263	10.3	1.4	3.2	3/8" SD	
E23PB-31	540	9 - 31	7 - 23	26	1.04	263	10.3	1.4	3.2	3/8" SD	
E33PB-32	1125	10 - 32	7 - 24	26	1.04	288	11.3	1.6	3.5	3/8" SD	
E33PB-40	890	12 - 40	9 - 30	26	1.04	288	11.3	1.6	3.5	3/8" SD	
E34PB1-60	605	18 - 60	13 - 44	32	1.25	324	12.8	2.4	5.2	1/2" SD	
E34PB1-74	490	22 - 74	17 - 55	32	1.25	324	12.8	2.4	5.2	1/2" SD	
E34PB1-100	365	30 - 100	22 - 74	32	1.25	324	12.8	2.4	5.2	1/2" SD	

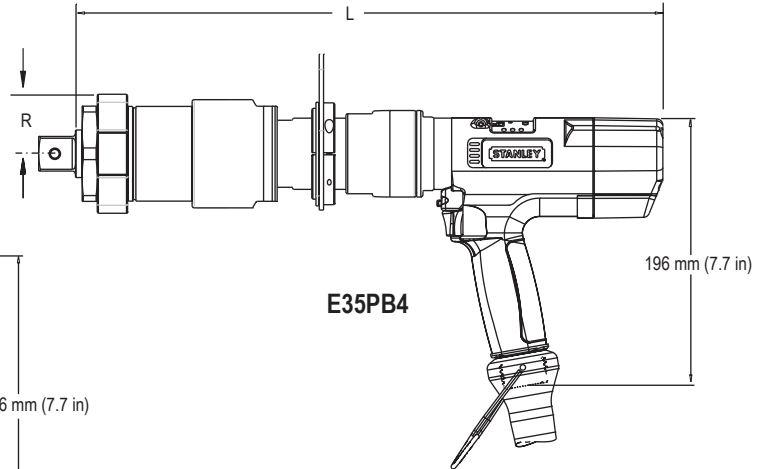
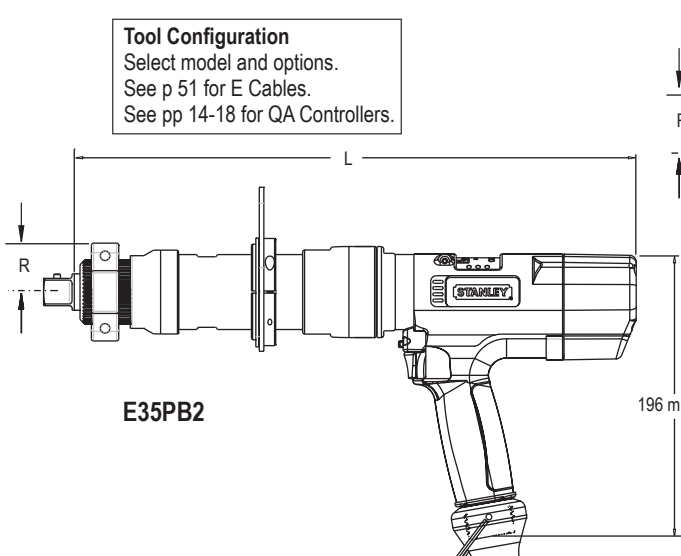
Standard Configuration	Handle Options	Mounting Options
Bottom Exit Cable	20H207107 Rubber Grip	20K200007 Rear Bail Mount Kit
F3698 Reaction Bar Alum. E23	20H206319 Top Exit Cable	20K101400 Swivel Bail E23/33
20K100100 Reaction Bar Steel E33	20H207111 Cooling Fan Kit (Bottom Exit Cable Models Only)	20K200000 Swivel Bail E34/44
20K100000 Reaction Bar Steel E34		20K101000 Flange Mount 23/33
		20K100300 Flange Mount 34/44
		20K100100 Reaction Bar Steel E23
		A8606 Base Mount 23/33
		20K100500 Base Mount 34/44

E23/33 Spindle Options

20D100701	3/8"-24 Threaded
20D100702	3/8" SD X 8" Ext
20D243502	3/8" Guided Ext Collar (See p 26 for extensions)

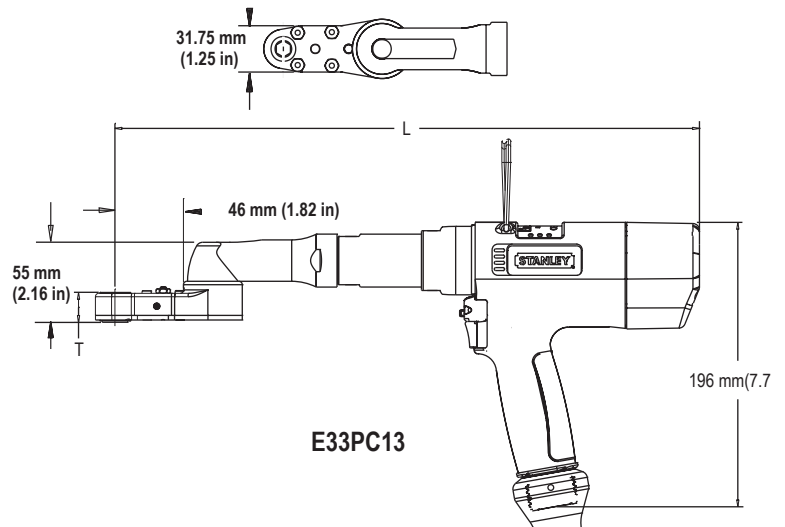
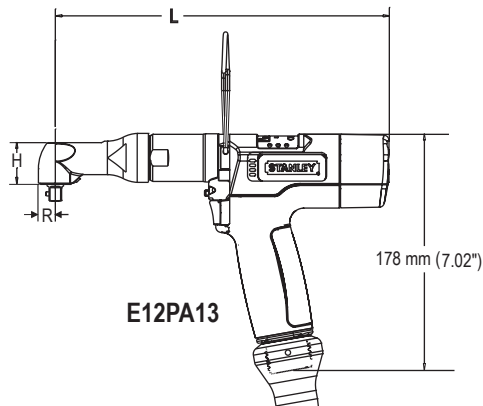
Straight Pistol (47 to 340 Nm)

Tool Configuration
 Select model and options.
 See p 51 for E Cables.
 See pp 14-18 for QA Controllers.



MODEL	Rated Speed RPM	Torque Range Nm	lb ft	"R" Side to Center		"L" Length		Weight		Output
				mm	in	mm	in	kg	lb	Standard
E35PB2-155	225	47 - 155	35 - 115	34	1.34	393	15.5	3.6	8	3/4" SD
E35PB4-271	99	81 - 271	60 - 201	44	1.72	431	17	6.8	15	1" SD
E35PB4-340	99	102 - 340	76 - 252	44	1.72	431	17	6.8	15	
E35PB4-670	40	201 - 670	148 - 494	44	1.72	431	17	6.8	15	

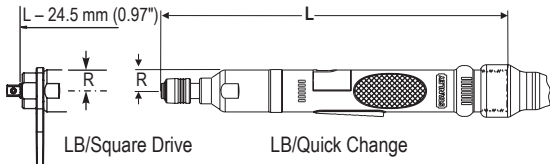
Standard Configuration		Handle Options		B2 Output Options	
Bottom Exit Cable	20K100000	Reaction Bar Steel E34	20H207107	Rubber Grip	20D102503
			20H206319	Top Exit Cable	20D102502
			20H207111	Cooling Fan Kit	(Bottom Exit Cable Models Only)
Mounting Options				B4 Output Options	
20K200007	Rear Bail Mount Kit			20D208301	1" SD Ball Retainer
20K200000	Swivel Bail E34/44			20D208302	1" SD x 1 1/2" Ext
20K100300	Flange Mount 34/44				
20K100500	Base Mount 34/44				



MODEL	Rated Speed RPM	Torque Range Nm	lb ft	"R" Side to Center		"R" Nose Radius		"H" Head Height		"L" Length		Weight		Output
				mm	in	mm	in	mm	in	mm	in	kg	lb	Standard
E12PA13-14	850	4 - 14	3 - 10	13	0.5			33	1.3	252	9.9	1	2.1	3/8" SD
						"T" Thickness								Max Hex Size
E33PC13-30	760	9 - 30	6.5 - 22	13.5	0.53	13.5	0.53	20.5	0.81	404	15.9	2.4	5.2	13mm (1/2")
Standard Configuration		Mounting Options		Vinyl Head Cover Options				E33PC13 Includes One Integral Socket						
Bottom Exit Cable		A3061 Wire Bail		20D250711 A13				Standard Hex Socket Options (see Standard Sockets p 35)						
E12P/E33P Handle Options: See p 20				20D250714 C13				Contact Stanley for Special Socket Options						
				A13 Output Options: See p 26										

E Straight Lever

Straight Lever (0.6 to 100 Nm)



Tool Configuration
 Select model and options.
 See p 51 for E Cables.
 See pp 14-18 for QA Controllers.

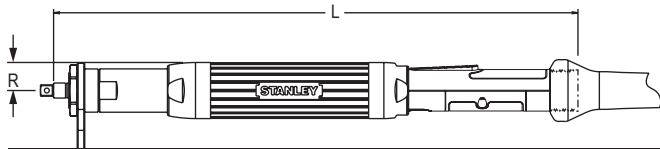
MODEL	Rated Speed (RPM)	Torque Range (Nm / lb ft)		"R" Side to Center (mm / in)		"L" Length (mm / in)		Weight (kg / lb)		Output (Standard / Options)		
E12LB-4	2535	0.6 - 4	0.4 - 3	18	0.7	282	11.1	0.7	1.5	1/4" QC	1/4" SD	3/8" SD
E12LB-6	1620	2 - 6	1.3 - 4.4	18	0.7	296	11.7	0.7	1.5	1/4" QC	1/4" SD	3/8" SD
E12LB-10	1280	3 - 10	2.2 - 7.4	18	0.7	296	11.7	0.7	1.5	1/4" QC	1/4" SD	3/8" SD
E12LB-13	880	4 - 13	3 - 9.5	18	0.7	296	11.7	0.7	1.5	1/4" QC	3/8" SD	
E12LB-17	610	5 - 17	4 - 12.5	18	0.7	296	11.7	0.7	1.5	1/4" QC	3/8" SD	

Standard Configuration | 20K101601 (-10, -13, -17 Models) | 20H207910 | Rubber Grip | A3061 | Wire Bail
 Rear Facing Lever | 20H102200 | Lever Extension | 20K101601 | Aluminum Reaction Bar (-6 Model)

E1_L Motor Options

Add HD | High Duty Cycle Motor

Example: E12LB-17HD



Two Handed Operation Options
 20K400000 (E23/33 Models)
 20K400001 (E34/44 Models)

MODEL	Rated Speed (RPM)	Torque Range (Nm / lb ft)		"R" Side to Center (mm / in)		"L" Length (mm / in)		Weight (kg / lb)		Output (Standard / Options)	
E23LB-8	2245	2.5 - 8	2 - 6	24	0.9	402	15.8	1.4	3.1	3/8" SD	1/4" QC
E23LB-16	1000	5 - 16	4 - 12	24	0.9	402	15.8	1.4	3.1	3/8" SD	1/4" QC
E23LB-21	785	6 - 21	5 - 15.5	24	0.9	417	16.4	1.6	3.5	3/8" SD	
E23LB-31	540	9 - 31	7 - 23	24	0.9	417	16.4	1.6	3.5	3/8" SD	
E33LB-32	1125	10 - 32	7 - 24	24	0.9	442	17.4	1.7	3.8	3/8" SD	
E33LB-40	890	12 - 40	9 - 30	24	0.9	442	17.4	1.7	3.8	3/8" SD	
E34LB1-60	605	18 - 60	13 - 44	32	1.25	478	18.8	2.4	5.2	1/2" SD	
E34LB1-74	490	22 - 74	17 - 55	32	1.25	478	18.8	2.4	5.2	1/2" SD	
E34LB1-100	365	30 - 100	22 - 74	32	1.25	478	18.8	2.4	5.2	1/2" SD	

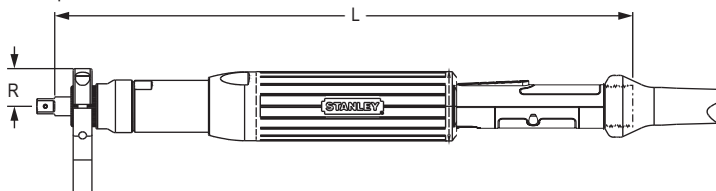
Standard Configuration | 20H100005 | Front Facing Lever E23/33/34 | 20K101400 | Swivel Bail E23/33
 Reaction Bar: | 20H207207 | Rubber Grip (Rear facing lever) | A8606 | Base Mount 23/33
 F3698 Aluminum (E23 Models) | **E23/33 Spindle Options** | 20K200000 | Swivel Bail 34/44
 20K100100 Steel (E33 Models) | 20D100701 | 3/8"-24 Threaded | 20K100100 | Reaction Bar Steel E23
 20K100000 Steel (E34/44 Models) | 20D100702 | 3/8" SD X 8" Ext | 20K101000 | Flange Mount 23/33

E3_L Motor Options

Headlight Kit

20M102600 | E3L Cooling Fan Kit | 20K101800 | E2_L, E3_L
 Add HD | High Duty Cycle Motor

Example: E23LB-16HD



Two Handed Operation Options
 20K400001 (E34/44 Models)

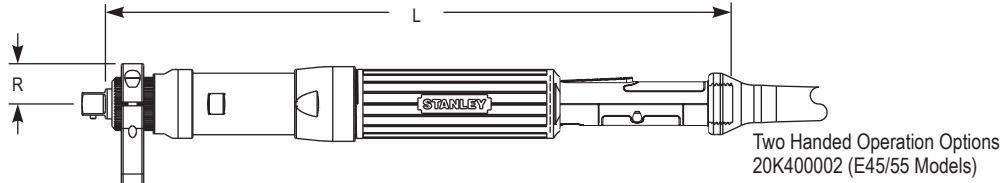
MODEL	Rated Speed (RPM)	Torque Range (Nm / lb ft)		"R" Side to Center (mm / in)		"L" Length (mm / in)		Weight (kg / lb)		Output (Standard)
E44LB1-66	885	20 - 66	15 - 49	32	1.25	487	19.2	2.9	6.4	1/2" SD
E44LB1-100	590	30 - 100	22 - 74	32	1.25	487	19.2	2.9	6.4	1/2" SD

Standard Configuration | 20H100005 | Front Facing Lever | 20K200000 | Swivel Bail 34/44
 Rear Facing Lever | 20K100000 | Reaction Bar Steel | 20H207207 | Rubber Grip | 20K100500 | Base Mount 34/44
E4_L Motor Options | (Rear facing lever) | 20K100300 | Flange Mount 34/44

Add HD | High Duty Cycle Motor

Example: E44LB-66HD

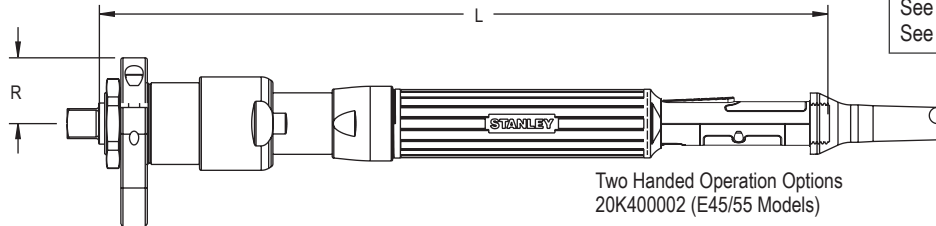
Straight Lever (46 to 2005 Nm)



MODEL	Rated Speed RPM	Torque Range		"R" Side to Center		"L" Length		Weight		Output
		Nm	lb ft	mm	in	mm	in	kg	lb	Standard
E45LB2-160	345	48 - 160	35 - 118	34	1.35	533	21	4.4	9.6	3/4" SD
E45LB2-250	220	75 - 250	55 - 184	34	1.35	533	21	4.4	9.6	3/4" SD
E55LB2-127	720	38 - 127	28 - 94	34	1.35	560	22.1	4.7	10.3	3/4" SD
E55LB2-200	475	60 - 200	44 - 147	34	1.35	560	22.1	4.7	10.3	3/4" SD
E55LB2-250	380	75 - 250	55 - 184	34	1.35	560	22.1	4.7	10.3	3/4" SD

Standard Configuration		Handle Options		Mounting Options	
Rear Facing Lever	20H100105	Front Facing Lever	20K200100	Swivel Bail E45/55	
20K100200	Reaction Bar Steel	20H207207	Rubber Grip (Rear facing lever)	20K100600	Base Mount E45/55
E4 L/E5 L Motor Options		B2 Output Options		20K100700	
Add HD High Duty Cycle Motor		20D102503	3/4" SD X 8" Ext <250 Nm (184 ft lb)		
Example: E45LB-160HD		20D102502	5/8" SD <200 Nm (147 lb ft)		
		20D102603	3/4" SD X 8" Ext -250 Nm (184 ft lb)		

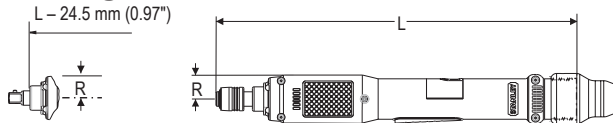
Tool Configuration
Select model and options.
See p 51 for E Cables.
See pp 14-18 for QA Controllers.



MODEL	Rated Speed RPM	Torque Range		"R" Side to Center		"L" Length		Weight		Output
		Nm	lb ft	mm	in	mm	in	kg	lb	Standard
E55LB3-322	230	97 - 322	71 - 237	32	1.25	573	22.5	5.3	11.5	3/4" SD
E55LB4-471	185	141 - 471	101 - 347	44	1.7	621	24.4	7.4	16.3	1" SD
E55LB4-623	140	187 - 623	138 - 459	44	1.7	621	24.4	7.4	16.3	1" SD
E55LB5-1023	75	307 - 1023	226 - 754	48	1.9	651	25.6	9.6	21.1	1" SD
E55LB5-1637	45	491 - 1637	362 - 1207	48	1.9	683	26.9	12	26.4	1" SD
E55LB5-2005	35	602 - 2005	444 - 1479	48	1.9	683	26.9	12	26.4	1" SD

Standard Configuration		Handle Options		Mounting Options	
Rear Facing Lever: Reaction Bar:	20H100105	Front Facing Lever	20K200100	Swivel Bail E45/55	
B4487 Steel (E55LB3)	20H207207	Rubber Grip (Rear facing lever)	F4201	Base Mount B4/B5	
F4192 Steel (B4 Models, B5-1023)	B3 Output Options		20K101100	Flange Mount B4/B5	
J4228 Steel (E55LB5-1637, -2005)	20D104502	3/4" SD/Ball Retainer	H1140	Base Mount B3	
E5 L Motor Options		B4 Output Options		M4329	
Add HD High Duty Cycle Motor		20D208301	1" SD Ball Retainer		
Example: E55LB-322HD		20D208302	1" SD x 1 1/2" Ext		

Straight Push to Start (0.6 to 17 Nm)



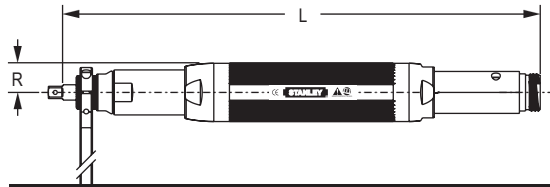
LP (Push to Start)

MODEL	Rated Speed RPM	Torque Range		"R" Side to Center		"L" Length		Weight		Output
		Nm	lb ft	mm	in	mm	in	kg	lb	Standard Options
E12LP-4	2535	0.6 - 4	0.4 - 3	21	0.83	314	12.3	0.7	1.6	1/4" QC 1/4" SD 3/8" SD
E12LP-6	1620	2 - 6	1.3 - 4.4	21	0.83	314	12.3	0.7	1.6	1/4" QC 1/4" SD 3/8" SD
E12LP-10	1280	3 - 10	2.2 - 7.4	21	0.83	314	12.3	0.7	1.6	1/4" QC 1/4" SD 3/8" SD
E12LP-13	880	4 - 13	3 - 9.5	21	0.83	314	12.3	0.7	1.6	1/4" QC 3/8" SD
E12LP-17	610	5 - 17	4 - 12.5	21	0.83	314	12.3	0.7	1.6	1/4" QC 3/8" SD

Standard Configuration		Handle Options		E1 L Motor Options	
Front Facing Lever	20H207915	Rubber Grip	20K101700	Mounting Collar Kit	Example: E12LP-17HD
Headlights	Mounting Options		A3061 Wire Bail		

E Straight Motors

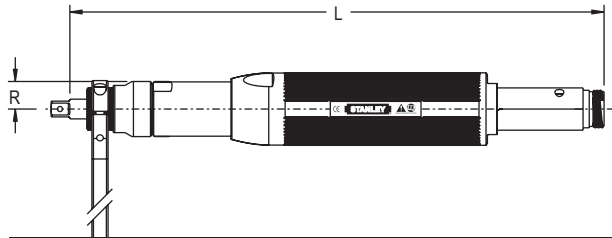
Straight Motors (2.5 to 250 Nm)



Tool Configuration
 Select model and options.
 See p 51 for E Cables.
 See pp 14-18 for QA Controllers.

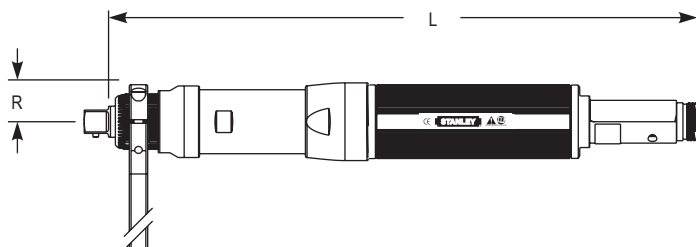
MODEL	Rated Speed RPM	Torque Range		"R" Side to Center		"L" Length		Weight		Output	
		Nm	lb ft	mm	in	mm	in	kg	lb	Standard	Options
E23MB-8	2245	2.5 - 8	2 - 6	24	0.93	344	13.6	1.4	3.1	3/8" SD	1/4" QC
E23MB-16	1000	5 - 16	4 - 12	24	0.93	344	13.6	1.4	3.1	3/8" SD	1/4" QC
E23MB-21	785	6 - 21	5 - 15.5	24	0.93	359	14.1	1.6	3.5	3/8" SD	
E23MB-31	540	9 - 31	7 - 23	24	0.93	359	14.1	1.6	3.5	3/8" SD	
E33MB-32	1125	10 - 32	7 - 24	24	0.93	385	15.1	1.7	3.8	3/8" SD	
E33MB-40	890	12 - 40	9 - 30	24	0.93	385	15.1	1.7	3.8	3/8" SD	
E34MB1-60	605	18 - 60	13 - 44	32	1.03	421	16.6	2.6	5.7	1/2" SD	
E34MB1-74	490	22 - 74	17 - 55	32	1.03	421	16.6	2.6	5.7	1/2" SD	
E34MB1-100	365	30 - 100	22 - 74	32	1.03	421	16.6	2.6	5.7	1/2" SD	

Standard Configuration	Mounting Options	E23/33 Spindle Options
Reaction Bar: A8606	Base Mount 23/33	20D100701 3/8"-24 Threaded
F3698 Aluminum (E23 Models)	20K101000 Flange Mount 23/33	20D100702 3/8" SD X 8" Ext
20K100100 Steel (E33 Models)	20K100500 Base Mount 34/44	
20K100000 Steel (E34/44 Models)	20K100300 Flange Mount 34/44	
	20K100100 Reaction Bar Steel E23	



MODEL	Rated Speed RPM	Torque Range		"R" Side to Center		"L" Length		Weight		Output
		Nm	lb ft	mm	in	mm	in	kg	lb	Standard
E44MB1-66	885	20 - 66	15 - 49	32	1.25	430	16.9	2.9	6.4	1/2" SD
E44MB1-100	590	30 - 100	22 - 74	32	1.25	430	16.9	2.9	6.4	1/2" SD

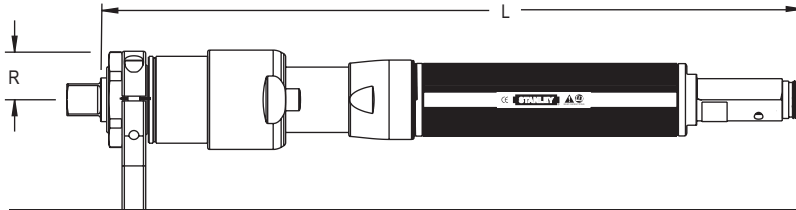
Standard Configuration	Mounting Options
20K100000 Reaction Bar Steel	20K100500 Base Mount 34/44
	20K100300 Flange Mount 34/44



MODEL	Rated Speed RPM	Torque Range		"R" Side to Center		"L" Length		Weight		Output
		Nm	lb ft	mm	in	mm	in	kg	lb	Standard
E45MB2-160	345	48 - 160	35 - 118	34	1.35	475	18.7	4.4	9.6	3/4" SD
E45MB2-250	220	75 - 250	55 - 184	34	1.35	475	18.7	4.4	9.6	3/4" SD
E55MB2-127	715	38 - 127	28 - 94	34	1.35	503	19.8	4.7	10.3	3/4" SD
E55MB2-200	475	60 - 200	44 - 147	34	1.35	503	19.8	4.7	10.3	3/4" SD
E55MB2-250	380	75 - 250	55 - 184	34	1.35	503	19.8	4.7	10.3	3/4" SD

Standard Configuration	Mounting Options	B2 Output Options
20K100200 Reaction Bar Steel	20K100600 Base Mount E45/55	20D102503 3/4" SD X 8" Ext <250 Nm (184 lb ft)
	20K100700 Flange Mount E45/55	20D102502 5/8" SD <200 Nm (147 lb ft)
		20D102603 3/4" SD X 8" Ext -250 Nm (184 lb ft)

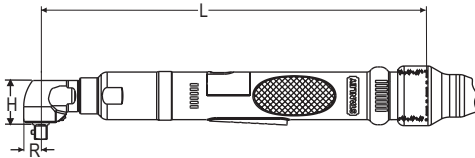
Straight Motors (97 to 2005 Nm)



Tool Configuration
 Select model and options.
 See p 51 for E Cables.
 See pp 14-18 for QA Controllers.

MODEL	Rated Speed RPM	Torque Range		"R" Side to Center		"L" Length		Weight		Output
		Nm	lb ft	mm	in	mm	in	kg	lb	Standard
E55MB3-322	230	97 - 322	71 - 237	35	1.25	517	20.4	5.3	11.5	3/4" SD
E55MB4-471	185	141 - 471	101 - 347	44	1.7	564	22.2	7.4	16.3	1" SD
E55MB4-623	140	187 - 623	138 - 459	44	1.7	564	22.2	7.4	16.3	1" SD
E55MB5-1023	75	307 - 1023	226 - 754	48	1.9	594	23.4	9.6	21.1	1" SD
E55MB5-1637	45	491 - 1637	362 - 1207	48	1.9	625	24.6	12	26.4	1" SD
E55MB5-2005	35	602 - 2005	444 - 1479	48	1.9	625	24.6	12	26.4	1" SD
Standard Configuration		B3 Output Options				Mounting Options				
Reaction Bar:		20D104502 3/4" SD/Ball Retainer				20K200100 Swivel Bail E45/55				
B4487 Steel (E55LB3)		B4 Output Options				F4201 Base Mount B4/B5				
F4192 Steel (E55LB4-5 Models)		20D208301 1" SD Ball Retainer				20K101100 Flange Mount B4/B5				
		20D208302 1" SD x 1 1/2" Ext				H1140 Base Mount B3				
						M4329 Flange Mount B3				

Angle Lever (0.6 to 18 Nm)



MODEL	Rated Speed RPM	Torque Range		"R" Side to Center		"H" Head Height		"L" Length		Weight		Output	
		Nm	lb ft	mm	in	mm	in	mm	in	kg	lb	Standard	Options
E12LA10-4	2325	0.6 - 4	0.4 - 3	10	0.4	30	1.2	271	10.7	0.7	1.6	1/4" SD	3/8" SD
E12LA10-6	1490	2 - 6	1.3 - 4.4	10	0.4	30	1.2	285	11.2	0.8	1.7	1/4" SD	3/8" SD
E12LA13-6	1690	2 - 6	1.3 - 4.4	10	0.5	33	1.3	287	11.3	0.8	1.7	1/4" SD	3/8" SD
E12LA13-10	1080	3 - 10	2.2 - 7.4	13	0.5	33	1.3	287	11.3	0.8	1.7	3/8" SD	
E12LA13-14	850	4 - 14	3 - 10	13	0.5	33	1.3	287	11.3	0.8	1.7	3/8" SD	
E12LA13-18	590	5.5 - 18	4 - 13	13	0.5	33	1.3	287	11.3	0.8	1.7	3/8" SD	
Handle Options				Mounting Options				Vinyl Head Cover Options					
20H207910 Rubber Grip				A3061 Wire Bail				20D250711 A13/A14					
20H102200 Lever Extension				A13 Output Options: See page 25									
E1_L Motor Options													
Add HD High Duty Cycle Motor				Example: E12LA-10HD									

Special Output Options

Guided Extension Collars

Pinch Point Protectors

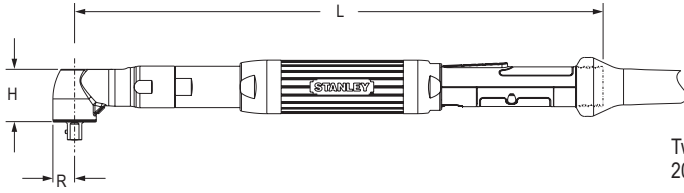
Output	3/8" SD P/N	1/2" SD P/N	Output	3/8" SD P/N	1/2" SD P/N
A13	20D243003		A13	20D243002	
A14	20D243104		A14	20D243103	
A18	20D243203	20D243206	A18	20D243202	20D243205
A19 <48 Nm	20D243303	20D243306	A19 <48 Nm	20D243302	20D243305
A19			A19		
A22		20D243406	A22		20D243405

Each Guided Extension Collar Requires an Ultralite Extension

Extension Length	Ultralite	
	3/8 SD P/N	1/2 SD P/N
4"	20D124404	20D124504
6"	20D124406	20D124506
8"	20D124408	20D124508
10"	20D124410	20D124510
12"	20D124412	20D124512

E Angle Lever

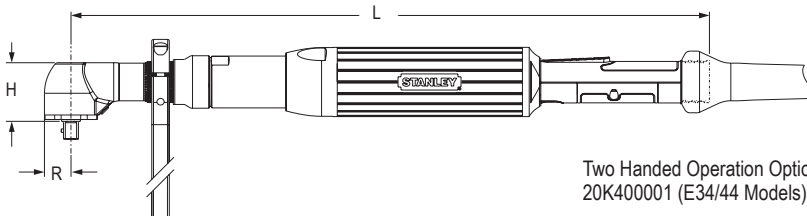
Angle Lever (3.5 to 120 Nm)



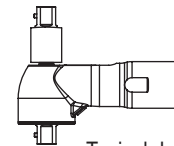
Tool Configuration
 Select model and options.
 See 51 for E Cables.
 See pp 14-18 for QA Controllers.
 Contact Stanley for Special Socket Options.

Two Handed Operation Options
 20K400000 (E23/33 Models)

MODEL	Rated Speed RPM	Torque Range		"R" Side to Center		"H" Head Height		"L" Length		Weight		Output
		Nm	lb ft	mm	in	mm	in	mm	in	kg	lb	Standard
E23LA13-11	1500	3.5 - 11	2.5 - 8	13	0.5	33	1.3	435	17.1	1.5	3.3	3/8" SD
E12LA14-17	565	5 - 17	4 - 12.5	14	0.55	36	1.4	297	11.7	0.9	1.9	3/8" SD
E12LA14-20	715	6 - 20	4.2 - 14	14	0.55	36	1.4	297	11.7	0.9	1.9	3/8" SD
E23LA15-35	415	10.5 - 35	7.7 - 25.8	15	0.59	40	1.57	442	17.4	1.6	3.6	3/8" SD
E33LA15-35	865	10.5 - 35	7.7 - 25.8	15	0.59	40	1.57	467	18.4	1.8	4.0	3/8" SD
E33LA18-46	750	14 - 46	10 - 34	18	0.71	39	1.55	490	19.3	2.0	4.3	3/8" SD
E33LA19-48	730	15 - 48	10.5 - 35	19	0.75	49	1.9	492	19.4	2.2	4.8	3/8" SD
E33LA19-60	570	18 - 60	13 - 44	19	0.75	49	1.9	492	19.4	2.2	4.8	1/2" SD
Standard Configuration				A13 Output Options				A19 Output Options <48 Nm (35 lb ft)				
Rear Facing Lever				A3157 1/4" Female Hex Magnetic				20D100000 A19 Thd, 1/2" SD				
Handle Options				A3156 1/4" Square Drive				20D100006 A19 Thd 3/8 SD Ball Retainer				
20H100005 Front Facing Lever E23/33				A3351 1/4" - 28 Threaded Female				A19 Output Options <60 Nm (44 lb ft)				
20H207207 Rubber Grip (Rear facing lever)				A3158 3/8" - 24 Threaded Magnetic				20D100003 Double Ended RH Thd 1/2"				
Mounting Options				A3441 5/16" - 24 Threaded Female				20D100004 1/2 SD Ball Retainer				
20K101400 Swivel Bail E23/33				F3376 Angle Head with Advel Attachment				20D100001 A19, 1/2" SD Anti Vibration				
Gearcase Extensions				*B3117 3/8" Double Ended Square Drive				* 20D100003 Double Ended RH Thrd 1/2" SD				
Add E4 to Model# 4" Extension for E23/33 Models				A14 Output Options				Headlight Kit				
Add E6 to Model# 6" Extension for E23/33 Models				20D110000 3/8" SD Ball Retainer Anti-Vib				20K101800 E23L, E33L				
Add E10 to Model# 10" Extension for E23/33 Models				20D118300 1/4" Hex Flush Socket Head								
Example: E23LA14-31E4				A18 Output Options								
Vinyl Head Cover Options				F3832 1/4" Internal Hex				F3831 3/8" - 24 Female Threaded				
20D250705 A13 20D250702 A18				* F3828 3/8" Double Ended Square Drive				F3829 1/2" Square Drive				
20D250701 A14 20D250707 A19				F3973 3/8" SD Paint Mark Angle Head				F3833 5/16" Internal Hex				
E2 L/E3 L Motor Options				20D104600 3/8" SD/Ball Anti-Vibration				F3830 1/2" SD Double Ended				
20M102600 E3L Cooling Fan Kit				20D104606 3/8" Square Drive/Ball								
Add HD High Duty Cycle Motor, Example: E23LA-11HD												



Two Handed Operation Options
 20K400001 (E34/44 Models)

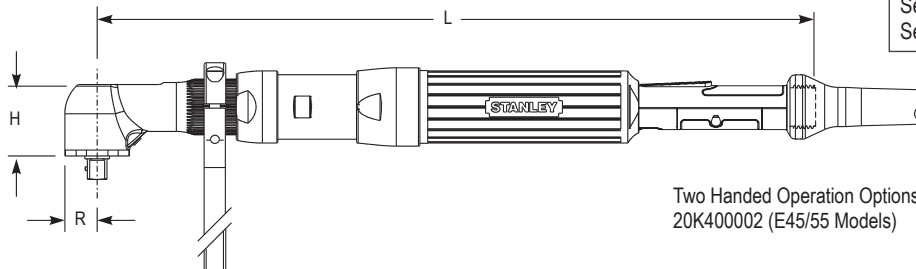


Typical double ended square drive output

MODEL	Rated Speed RPM	Torque Range		"R" Side to Center		"H" Head Height		"L" Length		Weight		Output
		Nm	lb ft	mm	in	mm	in	mm	in	kg	lb	Standard
E34LA19-50	655	15 - 50	11 - 37	19	0.75	49	1.9	522	20.6	2.9	6.3	1/2" SD
E34LA19-70	435	21 - 70	51.5	19	0.75	49	1.9	522	20.6	2.9	6.3	1/2" SD
E34LA22-101	335	30 - 101	22 - 74.5	22	0.88	50	2	530	20.9	3	6.6	1/2" SD
E34LA22-115	300	35 - 115	26 - 85	22	0.88	50	2	530	20.9	3	6.6	1/2" SD
E44LA19-70	635	21 - 70	15 - 51.5	19	0.75	49	1.9	531	20.9	3.3	7.3	1/2" SD
E44LA22-101	545	30 - 101	22 - 74.5	22	0.88	50	2	539	21.2	3.5	7.6	1/2" SD
E44LA22-120	360	63 - 120	27 - 88.5	22	0.88	50	2	539	21.2	3.5	7.6	1/2" SD
Standard Configuration				A19 Output Options				Mounting Options				
Rear Facing Lever				20D100102 A19 Spline 1/2 SD Ball Retainer				20K200000 Swivel Bail E34/44				
20K100000 Reaction Bar Steel				20D100101 A19 Spline, 1/2" SD Anti Vibration				20K100500 Base Mount 34/44				
Handle Options				20D100107 A19 Double Ended 1/2" SD 'RH' Threaded				20K100300 Flange Mount 34/44				
20H100105 Front Facing Lever E44/45/55				A22 Output Options				Vinyl Head Cover Options				
20H207207 Rubber Grip (Rear facing lever)				20D100322 A22 Double Ended 1/2" SD				20D250707 A19				
E3 L/E4 L Motor Options				Gearcase Extensions				20D250708 A22				
20M102600 E3L Cooling Fan Kit				Add E6 to Model# 6" Extension for E34/44 Models				Headlight Kit				
Add HD High Duty Cycle Motor				Add E8 to Model# 8" Extension for E34/44 Models				20K101800 E34L				
Example: E34LA-70HD				Add E10 to Model# 10" Extension for E34/44 Models								

Angle Lever (45 to 401 Nm)

Tool Configuration
 Select model and options.
 See p 51 for E Cables.
 See pp 14-18 for QA Controllers.

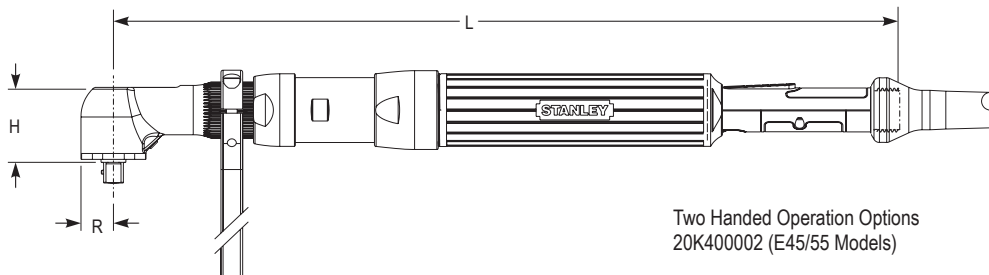


Two Handed Operation Options
 20K400002 (E45/55 Models)

MODEL	Rated Speed RPM	Torque Range Nm	Torque Range lb ft	"R" Side to Center		"H" Head Height		"L" Length		Weight		Output
				mm	in	mm	in	mm	in	kg	lb	Standard
E45LA26-150	330	45 - 150	33 - 110	26	1.02	60	2.4	582	22.9	5.2	11.5	3/4" SD
E45LA26-201	265	60 - 201	49 - 148	26	1.02	60	2.4	582	22.9	5.2	11.5	3/4" SD
Standard Configuration				Gearcase Extensions					Mounting Options			
Rear Facing Lever 20K100200 Reaction Bar Steel				Add E6 to Model#		6" Extension for E45/55 Models		20K200100		Swivel Bail E45/55		
				Add E9 to Model#		9" Extension for E45/55 Models		20K100700		Flange Mount 45/55		
Handle Options				Add E12 to Model#		12" Extension for E45/55 Models		20K100600		Base Mount 45/55		
20H100105 Front Facing Lever E44/45/55						Example: E45LA26 - 150E6				A26 Output Options		
20H207207 Rubber Grip (Rear facing lever)						Vinyl Head Cover Options		20D100411		3/4" SD/Ball Retainer		
E4_L Motor Options						20D250709 A26						
Add HD High Duty Cycle Motor												
Example: E45LA-150HD												

Special High Duty Cycle Models: Contact your Stanley representative for configuration options.

MODEL	Rated Speed RPM	Torque Range Nm	Torque Range lb ft	"R" Side to Center		"H" Head Height		"L" Length		Weight		Output
				mm	in	mm	in	mm	in	kg	lb	Standard
E43LA19-60	700	18 - 60	13 - 44	19	0.75	49	1.9	517	20.3	2.6	5.8	1/2" SD
E54LA22-120	470	63 - 120	27 - 88.5	22	0.88	50	2	742	29	4.75	10.5	1/2" SD

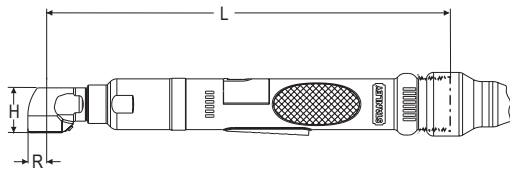


Two Handed Operation Options
 20K400002 (E45/55 Models)

MODEL	Rated Speed RPM	Torque Range Nm	Torque Range lb ft	"R" Side to Center		"H" Head Height		"L" Length		Weight		Output
				mm	in	mm	in	mm	in	kg	lb	Standard
E55LA26-100	880	33 - 100	22 - 74	26	1.02	60	2.4	632	24.9	5.8	12.8	1/2" SD
E55LA26-140	610	42 - 140	31 - 103	26	1.02	60	2.4	632	24.9	5.8	12.8	1/2" SD
E55LA26-167	510	50 - 167	37 - 123	26	1.02	60	2.4	632	24.9	5.8	12.8	3/4" SD
E55LA26-221	385	67 - 221	49 - 163	26	1.02	60	2.4	632	24.9	5.8	12.8	3/4" SD
E55LA32-337	250	101 - 337	75 - 248	32	1.25	73	2.9	639	25.1	6.5	14.2	3/4" SD
E55LA32-401	200	120 - 401	89 - 295	32	1.25	73	2.9	639	25.1	6.5	14.2	3/4" SD
Standard Configuration				Gearcase Extensions					A26 Output Options			
Rear Facing Lever 20K100200 Reaction Bar Steel				Add E6 to Model#		6" Extension for E45/55 Models		20D100400		5/8" SD for -100		
				Add E9 to Model#		9" Extension for E45/55 Models		20D100410		3/4" Square Drive		
				Add E12 to Model#		12" Extension for E45/55 Models		20D100411		3/4" SD/Ball Retainer		
Mounting Options				Example: E55LA26-167E6						A32 Output Options		
20K200100 Swivel Bail E45/55						Handle Options		20D104300		3/4" SD/Ball Retainer		
20K100700 Flange Mount 45/55				20H100105 Front Facing Lever E44/45/55		Vinyl Head Cover Options						
20K100600 Base Mount 45/55				20H207207 Rubber Grip (Rear facing lever)		20D250709 A26						
E5_L Motor Options						20D250710 A32						
Add HD High Duty Cycle Motor												
Example: E55LA-100HD												

E Flush Angle Lever

Flush Angle Lever (2 to 401 Nm)



Tool Configuration

Select model and options.
See p 51 for E Cables.
See pp 14-18 for QA Controllers.

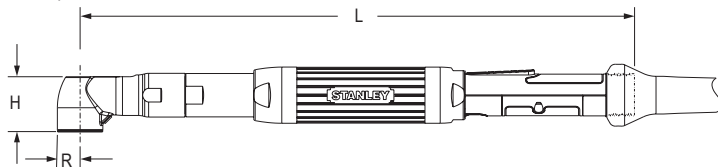
MODEL	Rated Speed	Torque Range		"R" Side to Center		"H" Head Height		"L" Length		Weight		Output
	RPM	Nm	lb ft	mm	in	mm	in	mm	in	kg	lb	Flush Socket Head
E12LA13-10	1080	3 - 10	2.2 - 7.4	13	0.5	35	1.4	287	11.3	0.8	1.7	20D121906
E12LA13-14	850	4 - 14	3 - 10	13	0.5	35	1.4	287	11.3	0.8	1.7	
E12LA13-18	590	5.5 - 18	4 - 13	13	0.5	35	1.4	287	11.3	0.8	1.7	

Handle Options		A13 Flush Socket Options										
20H207910	Rubber Grip	J3823	5/16" Magnet.	B3686	7mm	B3754	10mm					
20H102200	Lever Extension	B3752	5/16" (8mm)	B3752	8mm (5/16")	F3667	10mm X 1/4" Ext Magnetic					
Mounting Options		B3751	1/4"	J3041	8mm X 1/4" Extension	J3100	10mm X 1/2" Ext Magnetic					
A3061	Wire Bail	B3753	3/8"	J3706	8mm X 1/16" Ext Magnetic	L3073	10mm X 1/4" Ext Magnetic					
Vinyl Head Cover Options		B3834	4mm	L3154	8mm Double Hex	F3587	11mm					
20D250711	A13/A14											

E1_L Motor Options

Add HD | High Duty Cycle Motor

Example: E12LA-10HD



Two Handed Operation Options
20K400000 Single Stage
20K400009 Two Stage

MODEL	Rated Speed	Torque Range		"R" Side to Center		"H" Head Height		"L" Length		Weight		Output
	RPM	Nm	lb ft	mm	in	mm	in	mm	in	kg	lb	Flush Socket Head
E23LA13-11	1500	3.5 - 11	2.5 - 8	13	0.5	33	1.3	435	17.1	1.5	3.3	B3755
E12LA14-17	565	5 - 17	4 - 12.5	14	0.55	36	1.4	297	11.7	0.9	1.9	20D112113
E12LA14-20	715	6 - 20	4.2 - 14	14	0.55	36	1.4	297	11.7	0.9	1.9	
E23LA15-23	685	6.9 - 23	5 - 17	15	0.59	40	1.57	442	17.4	1.6	3.6	20D138904
E23LA15-35	415	10.5 - 35	7.7 - 25.8	15	0.59	40	1.57	442	17.4	1.6	3.6	
E33LA15-35	865	10.5 - 35	7.7 - 25.8	15	0.59	40	1.57	467	18.4	1.8	4.0	
E33LA18-46	750	14 - 46	10 - 34	18	0.71	39	1.55	490	19.3	2.0	4.3	F3834
E33LA19-48	730	15 - 48	10.5 - 35	19	0.75	49	1.9	492	19.4	2.2	4.8	20D100007
E33LA19-60	570	18 - 60	13 - 44	19	0.75	49	1.9	492	19.4	2.2	4.8	

Standard Configuration		A18 Flush Socket Options										
Rear Facing Lever		F4897	10mm	H4494	13mm X 12mm Extension							
Handle Options		J4979	10mm X 1" Extension	J4435	14mm							
20H100005	Front Facing Lever E23/33	N4638	10mm X 3mm Extension	H4371	14mm Surface Drive X 30mm Ext							
20H207207	Rubber Grip (Rear facing lever)	N4251	10mm X 7mm Extension	N4268	14mm X 1/4" Extension							
Mounting Options		F4898	11mm	F4900	15mm							
20K101400	Swivel Bail E23/33	L4509	11mm X 5/8" Extension Mag	J4684	15mm X 1/2" Extension							
Gearcase Extensions		L4006	12mm	L4378	15mm X 1/4" Extension							
Add E4 to Model#	4" Extension for E23/33 Models	F4899	13mm	N4686	15mm X 1/4" Extension/Retention Ring							
Add E6 to Model#	6" Extension for E23/33 Models	L4543	13mm (1/2" Clearance)	H4459	15mm X 3/8" Extension							
Add E10 to Model#	10" Extension for E23/33 Models	L4834	13mm Magnetic	N4769	15mm/Retention Ring							
Example: E23LA14-31E4		L4022	13mm Surface Drive	N4312	16mm X 1/4" Extension							
A13 Flush Socket Options		L4934	13mm Surface Dr X 10mm Ext	N4581	16mm X 1/4" Extension Surface Drive							
(see E12LA13 Options above)		L4935	13mm Surface Dr X 5mm Ext	N4343	16mm X 150mm Extension							
A15 Flush Socket Options		J4444	13mm X 1" Extension	H4301	17mm X 5mm Extension							
(see Standard Sockets p 31)		H4921	13mm X 1/2" Extension	L4653	5/16"/Retention Ring							
		N4918	13mm X 1/4" Extension	F4896	7/16"							
		N4086	13mm X 1/8" Extension	H4236	3/8" Surface Drive X 10mm Extension							
				F4895	1/2"							

Vinyl Head Cover Options

20D250705 | A13 20D250702 | A18
20D250701 | A15 20D250707 | A19

Headlight Kit

20K101800 | E23L, E33L

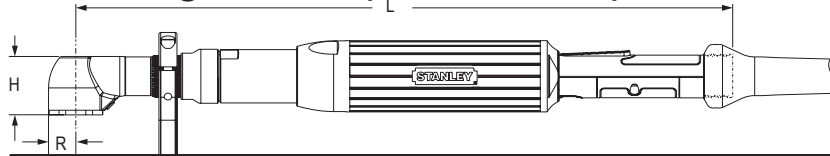
E3_L Motor Options

20M102600 | E3L Cooling Fan Kit
Add HD | High Duty Cycle Motor
Example: E23LA-11HD

A19 Flush Socket Options

(see Standard Sockets p 31)

Flush Angle Lever (21 to 401 Nm)

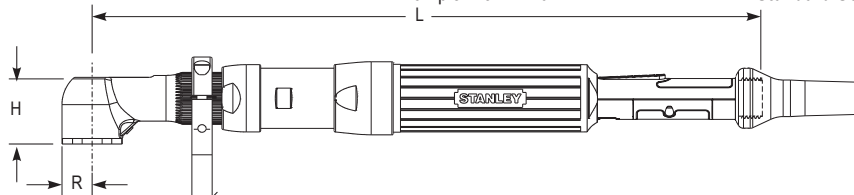


Tool Configuration
 Select model and options.
 See p 51 for E Cables.
 See pp 14-18 for QA Controllers.

Two Handed Operation Options
 20K400001 (E34/44 Models)

MODEL	Rated Speed	Torque Range		"R" Side to Center		"H" Head Height		"L" Length		Weight		Output
	RPM	Nm	lb ft	mm	in	mm	in	mm	in	kg	lb	Flush Socket Head
E34LA19-70	435	21 - 70	51.5	19	0.75	49	1.9	522	20.6	2.9	6.3	20D100106
E34LA22-101	335	30 - 101	22 - 74.5	22	0.88	51	2	530	20.9	3	6.6	20D100309
E34LA22-115	300	35 - 115	26 - 85	22	0.88	51	2	530	20.9	3	6.6	20D100309
E44LA19-70	635	21 - 70	15 - 51.5	19	0.75	49	1.9	531	20.9	3.3	7.3	20D100106
E44LA22-101	545	30 - 101	22 - 74.5	22	0.88	51	2	539	21.2	3.5	7.6	20D100309
E44LA22-120	360	63 - 120	27 - 88.5	22	0.88	51	2	539	21.2	3.5	7.6	20D100309

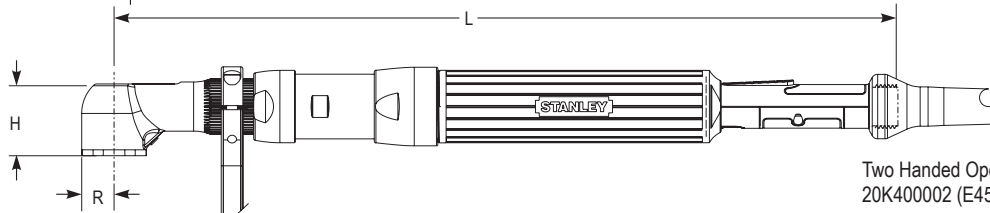
Standard Configuration	Gearcase Extensions	Mounting Options
Rear Facing Lever 20K100000 Reaction Bar Steel	Add E6 to Model# 6" Extension for E34/44 Models Add E8 to Model# 8" Extension for E34/44 Models Add E10 to Model# 10" Extension for E34/44 Models Example: E34LA22-115E6	20K200000 Swivel Bail E34/44 20K100500 Base Mount 34/44 20K100300 Flange Mount 34/44
Handle Options 20H100105 Front Facing Lever E44/45/55 20H207207 Rubber Grip (Rear facing lever)	E3 L/E4 L Motor Options 20M102600 E3L Cooling Fan Kit Add HD High Duty Cycle Motor Example: E34LA-70HD	Headlight Kit 20K101800 E34L
Vinyl Head Cover Options 20D250707 A19 20D250708 A22		A19 and A22 Flush Socket Options (see Standard Sockets p 34)



Two Handed Operation Options
 20K400002 (E45/55 Models)

MODEL	Rated Speed	Torque Range		"R" Side to Center		"H" Head Height		"L" Length		Weight		Output
	RPM	Nm	lb ft	mm	in	mm	in	mm	in	kg	lb	Flush Socket Head
E45LA26-150	330	45 - 150	33 - 110	26	1.02	66	2.6	582	22.9	5.2	11.5	20D100409
E45LA26-201	265	60 - 201	49 - 148	26	1.02	66	2.6	582	22.9	5.2	11.5	20D100409

Standard Configuration	Gearcase Extensions	Mounting Options
Rear Facing Lever 20K100200 Reaction Bar Steel	Add E6 to Model# 6" Extension for E45/55 Models Add E9 to Model# 9" Extension for E45/55 Models Add E12 to Model# 12" Extension for E45/55 Models Example: E45LA26 - 150E6	20K200100 Swivel Bail E45/55 20K100700 Flange Mount 45/55 20K100600 Base Mount 45/55
Handle Options 20H100105 Front Facing Lever E44/45/55 20H207207 Rubber Grip (Rear facing lever)	E4 L Motor Options Add HD High Duty Cycle Motor Example: E45LA-150HD	
Vinyl Head Cover Options 20D250709 A26	A26 Flush Socket Options (see Standard Sockets p 34)	



Two Handed Operation Options
 20K400002 (E45/55 Models)

MODEL	Rated Speed	Torque Range		"R" Side to Center		"H" Head Height		"L" Length		Weight		Output
	RPM	Nm	lb ft	mm	in	mm	in	mm	in	kg	lb	Flush Socket Head
E55LA26-100	880	33 - 100	22 - 74	26	1.02	66	2.6	632	24.9	5.8	12.8	20D100409
E55LA26-167	510	50 - 167	37 - 123	26	1.02	66	2.6	632	24.9	5.8	12.8	20D100409
E55LA26-221	385	67 - 221	49 - 163	26	1.02	66	2.6	632	24.9	5.8	12.8	20D100409
E55LA32-337	250	101 - 337	75 - 248	32	1.25	70	2.7	639	25.1	6.5	14.2	20D102201
E55LA32-401	200	120 - 401	89 - 295	32	1.25	70	2.7	639	25.1	6.5	14.2	20D102201

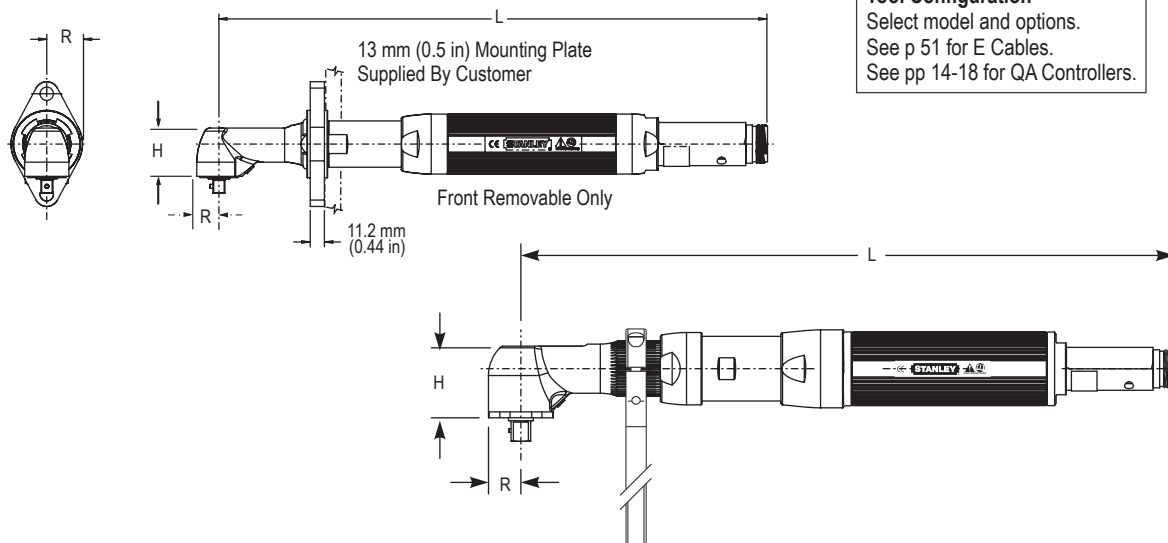
Standard Configuration	Gearcase Extensions	Mounting Options
Rear Facing Lever 20K100200 Reaction Bar Steel	Add E6 to Model# 6" Extension for E45/55 Models Add E9 to Model# 9" Extension for E45/55 Models Add E12 to Model# 12" Extension for E45/55 Models Example: E55LA26-167E6	20K200100 Swivel Bail E45/55 20K100700 Flange Mount 45/55 20K100600 Base Mount 45/55
Handle Options 20H100105 Front Facing Lever E44/45/55 20H207207 Rubber Grip (Rear facing lever)	A32 Flush Socket Options (see p 30)	Vinyl Head Cover Options 20D250709 A26 20D250710 A32
E5 L Motor Options Add HD High Duty Cycle Motor: Example, E55LA-100HD	A26 Flush Socket Options (see Standard Sockets p 34)	

Flush Angle Lever (101 to 401 Nm)

A32 Flush Socket Options

A5248	3/4" (19mm)	A5114	1 - 1/16" (27mm)	A5261	24mm (15/16") X 8mm Extension
A5479	3/4" (19mm) Square Drive Female	A5651	18mm	A5129	24mm (15/16") X 15mm Extension
A5112	7/8" (22mm)	A5175	21mm	A6428	24mm X 1/1" Extension
A5183	7/8" (22mm) Fast Lead	A6234	21mm x 1/2" Extension	A5114	27mm (1 - 1/16")
A5107	15/16" (24mm)	A5107	24mm (15/16")	A5238	27mm (1 - 1/16") X 2.5mm Extension
A5113	1"	A5380	24mm (15/16") Fast Lead	A5574	27mm (1 - 1/16") X 20mm Extension
A5473	1" Fast Lead	A5438	24mm (15/16") Surface Drive		

Angle Motors (14 to 401 Nm)



MODEL	Rated Speed RPM	Torque Range Nm	Torque Range lb ft	"R" Side to Center		"H" Head Height		"L" Length		Weight	Output	
				mm	in	mm	in	mm	in	kg	lb	Standard
E23MA18F0-23	660	7 - 23	5 - 17	28	1.1	39	1.55	407	16	1.8	3.7	1/2" SD
E33MA18F0-46	750	14 - 46	10 - 34	28	1.1	39	1.55	490	19.3	2.1	4.7	1/2" SD
E33MA19F0-60	570	18 - 60	13 - 44	29	1.1	49	1.9	492	19.4	2.4	5.2	1/2" SD
E34MA19-70	435	21 - 70	15 - 51.5	19	0.75	49	1.9	465	18.3	4	8.7	1/2" SD
E44MA19-70	635	21 - 70	15 - 51.5	19	0.75	49	1.9	474	18.7	4.3	9.5	1/2" SD
E44MA22-101	545	30 - 101	22 - 74.5	22	0.87	49	1.9	482	19	4.5	9.9	1/2" SD
E44MA22-120	360	36 - 120	27 - 88.	22	0.87	49	1.9	482	19	4.5	9.9	1/2" SD
E45MA26-150	330	45 - 150	33 - 110	26	1.02	60	2.6	525	20.7	7	16.5	3/4" SD
E45MA26-201	265	60 - 201	49 - 148	26	1.02	60	2.6	525	20.7	7.5	16.5	3/4" SD
E55MA26-100	880	33 - 100	22 - 74	26	1.02	60	2.6	576	22.7	8.1	17.8	1/2" SD
E55MA26-167	510	50 - 167	37 - 123	26	1.02	60	2.6	576	22.7	8.1	17.8	1/2" SD
E55MA26-221	385	67 - 221	49 - 163	34	1.34	60	2.6	576	22.7	8.1	17.8	3/4" SD
E55MA32-337	255	101 - 337	75 - 248	34	1.34	73	2.9	582	22.1	8.8	19.3	3/4" SD
E55MA32-401	205	120 - 401	89 - 295	34	1.34	73	2.9	582	22.1	8.8	19.3	3/4" SD

Standard Configuration	Gearcase Extensions	MA18 Output Options
Reaction Bar:	Add E4 to Model#	4" Extension for E23/33 Models 20D104601 A18 3/8" SD Flanged
20K100000 Steel (E34/44 Models)	Add E6 to Model#	6" Extension for E23/44 Models 20D104607 A18 3/8 - 24 Female Threaded Flanged
20K100200 Steel (E45/55 Models)	Add E8 to Model#	8" Extension for E34/44 Models 20D104608 A18 Flush Socket Flanged
	Add E10 to Model#	10" Extension for E23/44 Models
	Add E6 to Model#	6" Extension for E45/55 Models
	Add E9 to Model#	9" Extension for E45/55 Models
	Add E12 to Model#	12" Extension for E45/55 Models
	Example: E34MA22 - 115E6	
A22 Output Options	A26 Output Options	A32 Output Options
20D100309	A22 Flush Socket Head 20D100400	5/8" Square Drive for - 100 Model 20D104300
	20D100409	A26 Flush Socket Head 20D102201

A new part number system for standard flush angle head sockets enables customers to describe and price standard sockets for each application. The part number includes information on head number of the tool, socket type, socket size and extension length. For special sockets or dimensions not included on this page, check the following pages of special sockets or contact your local Stanley sales representative.

Choose Your Socket

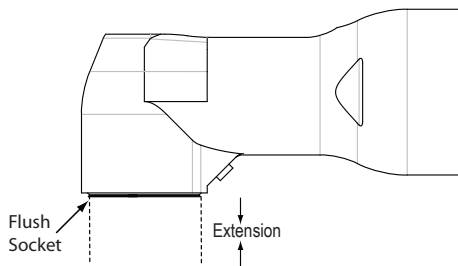
Step 1: Select the Base Code from the Head Number table

Step 2: Add Type, Size and Extension from their tables separated by forward slashes

Note: Specify socket size no larger than Max Hex Size.

Flush Angle Head Number	Max Hex Size		Base Code	Type	Size/		Extension				
	Size (mm)	Size (in)			Size (mm)	Size Code	Length (mm)	Length (in)	Extension Code		
A15 (as in E33LA15-35)	13	1/2	20D283200	SH Single Hex 	4	M4	1/8	2	Standard	Standard	0
A19	17	5/8	20D222300		5	M5	3/16	3	3	1/8	3
A22	19	3/4	L3270		6	M6	1/4	4	6	1/4	6
A26	22	7/8	L3435		7	M7	5/16	5	9	3/8	9
				DH Double Hex 	8	M8	3/8	6	12	1/2	12
					9	M9	7/16	7	15	5/8	15
					10	M10	1/2	8	18	3/4	18
					11	M11	9/16	9	21	7/8	21
				SD Surface Drive 	12	M12	5/8	10	24	1	24
					13	M13	11/16	11	27	1 1/16	27
					14	M14	3/4	12	30	1 1/8	30
					15	M15	13/16	13	33	1 1/4	33
				FL Fast Lead 	16	M16	7/8	14	36	1 3/8	36
					17	M17	15/16	15	39	1 1/2	39
					18	M18	1	16	42	1 5/8	42
					19	M19	1 1/16	17	45	1 3/4	45
					20	M20			48	1 7/8	48
					21	M21			51	2	51
					22	M22					
					23	M23					
					24	M24					
					25	M25					
					26	M26					
					27	M27					

Example Order Number



Example: An A19 flush angle head requires a 3/8 in surface drive socket with a 1 in extension. Select the BASE (20D222300), TYPE (SD), SIZE (6) and EXTENSION (24).

Write the Socket Part Number with the (/) separating each number.

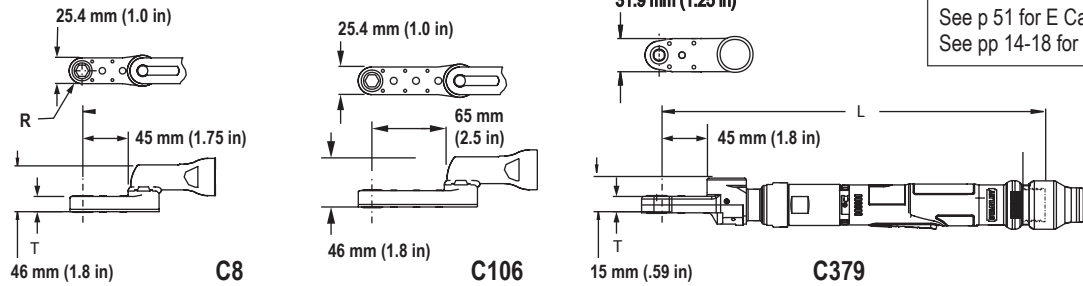
Base	Type	Size	Ext.
20D222300	/SD	/6	/24

A13 Flush Socket Options

J3823	5/16" Magnet.	B3686	7mm	B3754	10mm
B3752	5/16" (8mm)	B3752	8mm (5/16")	F3667	10mm X 1/4" Ext Magnetic
B3751	1/4"	J3041	8mm X 1/4" Extension	J3100	10mm X 1/2" Ext Magnetic
B3753	3/8"	J3706	8mm X 1/16" Ext Magnetic	L3073	10mm X 1/4" Ext Magnetic
B3834	4mm	L3154	8mm Double Hex	F3587	11mm

E Crowfoot Lever

Crowfoot Lever (4 to 38 Nm)

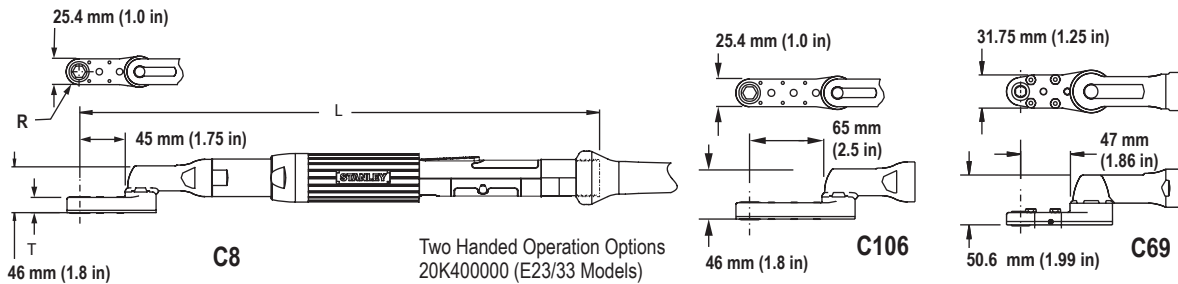


Tool Configuration
 Select model and model options.
 See p 51 for E Cables.
 See pp 14-18 for QA Controllers.

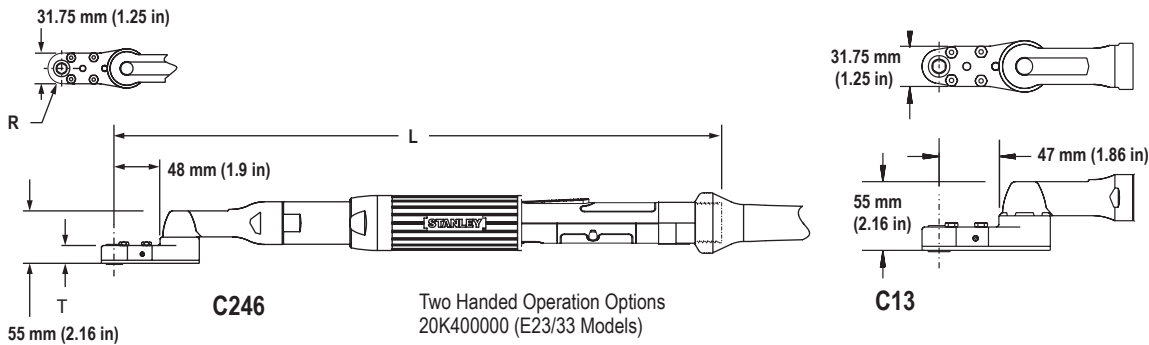
MODEL	Rated Speed RPM	Torque Range Nm lb ft	"R" Side to Center mm in	"R" Nose Radius mm in	"T" Thickness mm in	"L" Length mm in	Weight kg lb	Maximum Hex Size mm (in)
E12LC8-13	585	4 - 13 3 - 9.5	13 0.5	13 0.5	16 0.64	347 13.7	1 2.2	13 (1/2)
E12LC106-14	585	4 - 14 3 - 10	13 0.5	13 0.5	16 0.64	367 14.5	1.1 2.4	
E12LC379-30	660	9 - 30 7 - 22	16 0.6	13.5 0.53	15 0.58	352 13.9	1.2 2.6	

Handle Options	Mounting Options	Vinyl Head Cover Options	Includes One Integral Socket
20H207910 Rubber Grip	A3061 Wire Bail	20D250723 C8	Standard Hex Socket Options
20H102200 Lever Extension		20D250713 C106	(see Standard Sockets p 35)
E1 L Motor Options		20D250732 C379	Contact Stanley for Special Socket Options

Add HD High Duty Cycle Motor
 Example: E12LC8-13HD



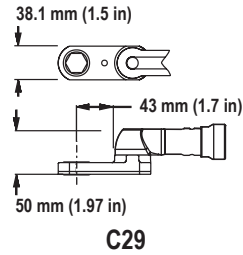
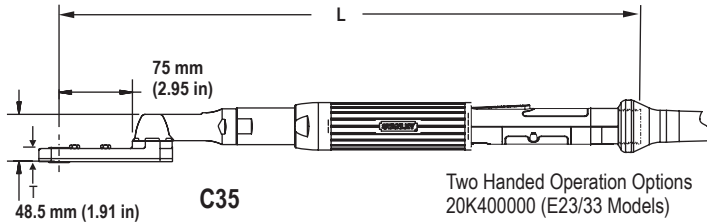
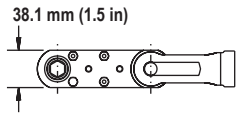
MODEL	Rated Speed RPM	Torque Range Nm lb ft	"R" Side to Center mm in	"R" Nose Radius mm in	"T" Thickness mm in	"L" Length mm in	Weight kg lb	Maximum Hex Size mm (in)
E23LC8-16	660	5 - 16 3.5 - 12	13 0.5	13 0.5	16 0.64	510 20	1.7 3.8	13 (1/2)
E23LC106-16	660	5 - 16 3.5 - 12	13 0.5	13 0.5	16 0.64	530 20.8	1.8 4	
E23LC69-15	745	4.5 - 15 3.5 - 11	13.5 0.53	13.5 0.53	16 0.64	532 20.9	2.3 5	
E33LC69-27	845	8 - 27 6 - 20	13.5 0.53	13.5 0.53	16 0.64	557 21.9	2.4 5.3	



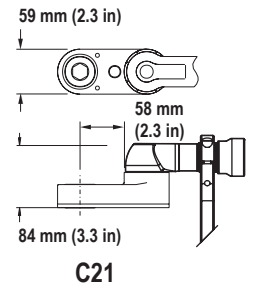
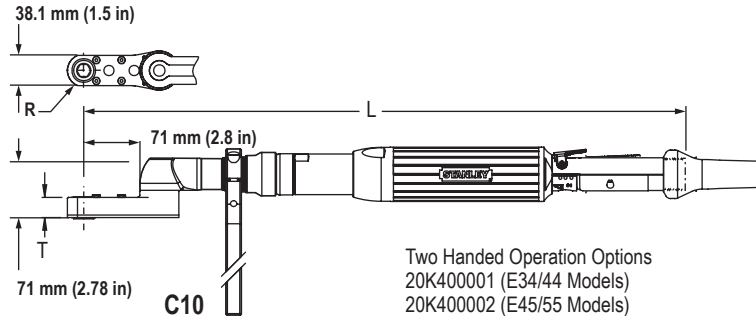
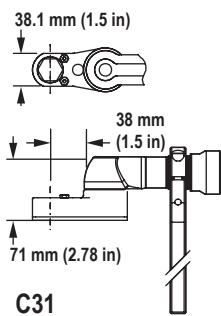
MODEL	Rated Speed RPM	Torque Range Nm lb ft	"R" Side to Center mm in	"R" Nose Radius mm in	"T" Thickness mm in	"L" Length mm in	Weight kg lb	Maximum Hex Size mm (in)
E23LC246-22	505	6.5 - 22 5 - 16	16 0.63	16 0.63	20.5 0.81	535 21	2.4 5.2	13 (1/2)
E33LC246-38	570	12 - 38 9 - 28	16 0.63	16 0.63	20.5 0.81	560 22	2.5 5.5	
E23LC13-18	590	5.5 - 18 4 - 13	16 0.63	13.5 0.53	20.5 0.81	533 21	2.4 5.2	
E33LC13-30	755	9 - 30 6.5 - 22	16 0.63	13.5 0.53	20.5 0.81	558 22	2.5 5.5	

Crowfoot Lever (5 to 216 Nm)

Tool Configuration
 Select model and model options.
 See p 51 for E Cables.
 See pp 14-18 for QA Controllers.



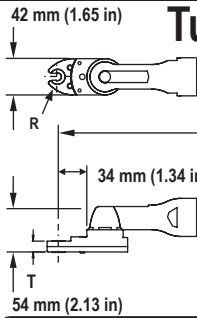
MODEL	Rated Speed RPM	Torque Range Nm lb ft		"R" Side to Center mm in		"R" Nose Radius mm in		"T" Thickness mm in		"L" Length mm in		Weight kg lb		Maximum Hex Size mm (in)	
E23LC35-16	660	5 - 16	3.5 - 12	20.5	0.81	20.5	0.81	14	0.55	559	22	2.7	6	19 (3/4)	
E33LC35-31	750	9 - 31	7 - 23	20.5	0.81	20.5	0.81	14	0.55	585	23	2.9	6.3		
E33LC29-35	675	10.5 - 35	8 - 26	20.5	0.81	20.5	0.81	14	0.55	549	21.6	2.7	5.9		
Standard Configuration				Gearcase Extensions						Includes One Integral Socket					
Rear Facing Lever				Add E4 to Model# 4" Extension for E23/33 Models						Standard Hex Socket Options					
Handle Options				Add E6 to Model# 6" Extension for E23/44 Models						(see Standard Sockets p 35)					
20H100005 Front Facing Lever E23/33				Add E8 to Model# 8" Extension for E34/44 Models						Contact Stanley for Special					
20H207207 Rubber Grip (Rear facing lever)				Add E10 to Model# 10" Extension for E23/44 Models						Socket Options					
Mounting Options				Example: E33LC35-31E4						Headlight Kit					
20K101400 Swivel Bail E23/33				Vinyl Head Cover Options						20K101800 E23L, E33L					
E2_L/E3_L Motor Options				20D250723 C8		20D250714 C13		20D250717 C246							
20M102600 E3L Cooling Fan Kit				20D250713 C106		20D250720 C35		20D250718 C29							
Add HD High Duty Cycle Motor Example: E23LC35-16HD								20D250721 C69							



MODEL	Rated Speed RPM	Torque Range Nm lb ft		"R" Side to Center mm in		"R" Nose Radius mm in		"T" Thickness mm in		"L" Length mm in		Weight kg lb		Maximum Hex Size mm (in)			
E34LC10-49	490	15 - 49	11 - 36	20.5	0.81	20.5	0.81	28	1.1	625	24.6	3.5	7.6	19 (3/4)			
E44LC10-88	355	26 - 88	20 - 65	20.5	0.81	20.5	0.81	28	1.1	634	25	3.8	8.4				
E44LC31-102	355	31 - 102	23 - 75	20.5	0.81	20.5	0.81	28	1.1	602	23.7	3.6	8				
E45LC21-216	155	65 - 216	48 - 159	29	1.16	29	1.16	31	1.2	693	27.3	6.1	13.5	27 (1 1/16)			
Standard Configuration				Gearcase Extensions						Includes One Integral Socket							
Rear Facing Lever				Add E6 to Model# 6" Extension for E34/44 Models						Standard Hex Socket Options							
Reaction Bar:				Add E8 to Model# 8" Extension for E34/44 Models						(see Standard Sockets p 35)							
20K100000 Steel (E34/44 Models)				Add E10 to Model# 10" Extension for E34/44 Models						Contact Stanley for Special							
20K100200 Steel (E45/55 Models)				Add E6 to Model# 6" Extension for E45 Models						Socket Options							
Handle Options				Add E9 to Model# 9" Extension for E45 Models						Vinyl Head Cover Options							
20H100105 Front Facing Lever E44/45/55				Add E12 to Model# 12" Extension for E45 Models						20D250722 C7 20D250712 C10							
20H207207 Rubber Grip (Rear facing lever)				Example: E34LC10-49E6						20D250715 C16 20D250719 C31							
E3_L/E4_L Motor Options										20D250716 C21							
20M102600 E3L Cooling Fan Kit				Add HD High Duty Cycle Motor		Example: E34LC10-49HD											

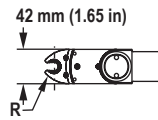
E Tubenut Lever

Tubenut Lever (4 to 102 Nm)



T346

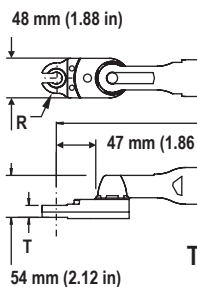
E23/33LT



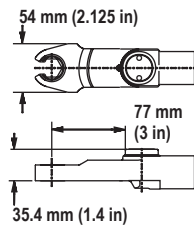
E12LT252

Tool Configuration
 Select model and model options.
 See p 51 for E Cables.
 See pp 14-18 for QA Controllers.

MODEL	Rated Speed RPM	Torque Range		"R" Side to Center		"R" Nose Radius		"T" Thickness		"L" Length		Weight		Maximum Hex Size	Maximum Tube Size
		Nm	lb ft	mm	in	mm	in	mm	in	mm	in	kg	lb	mm (in)	mm (in)
E12LT252-25	245	7.5 - 25	5.5 - 18	13	0.5	13	0.5	14	0.54	431	17	1.6	3.6	13 (1/2)	8 (5/16)
E23LT346-21	815	6.3 - 21	4.6 - 15.5	13	0.5	13	0.5	14	0.54	519	20.4	2.2	4.8		
E33LT346-25	1050	7.5 - 25	18	13	0.5	13	0.5	14	0.54	545	21.4	2.4	5.2		
E33LT252-22	955	6.5 - 22	5 - 16	13	0.5	13	0.5	14	0.54	499	19.6	2.3	5.1		
E33LT252-25	955	7.5 - 25	4.6 - 15.5	13	0.5	13	0.5	14	0.54	524	20.6	2.5	5.5		



T74

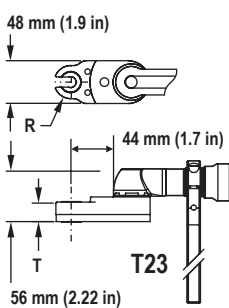


T264

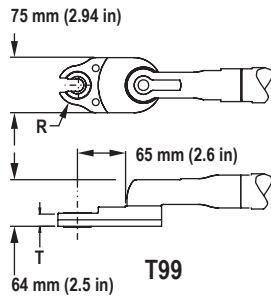
Two Handed Operation Options
 (E23/33 Models)
 20K400009 Single Stage
 20K400000 Two Stage

MODEL	Rated Speed RPM	Torque Range		"R" Side to Center		"R" Nose Radius		"T" Thickness		"L" Length		Weight		Maximum Hex Size	Maximum Tube Size
		Nm	lb ft	mm	in	mm	in	mm	in	mm	in	kg	lb	mm (in)	mm (in)
E23LT74-14	750	4 - 14	3 - 10	18.5	0.73	18.5	0.73	14.5	0.57	532	20.9	2.5	5.4	18 (11/16)	11 (7/16)
E33LT74-30	765	9 - 30	6.5 - 22	18.5	0.73	18.5	0.73	14.5	0.57	557	21.9	2.6	5.7		
E23LT264-22	480	6.5 - 22	5 - 16	21.3	0.84	21.3	0.84	18	0.7	513	20.2	2	4.4	24 (15/16)	13 (1/2)
E33LT264-44	545	13 - 44	9.5 - 32	21.3	0.84	21.3	0.84	18	0.7	538	21.2	2.1	4.7		

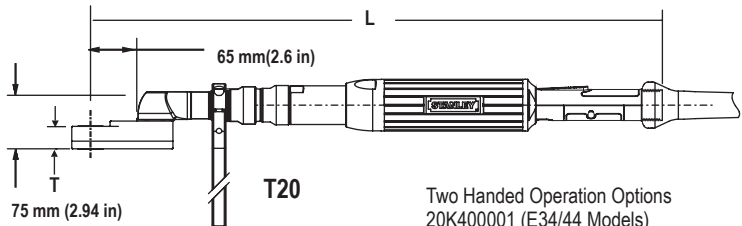
Standard Configuration	Gearcase Extensions	Includes One Integral Socket
Rear Facing Lever	Add E4 to Model# 4" Extension for E23/33 Models	Standard Hex Socket Options
Handle Options	Add E6 to Model# 6" Extension for E23/44 Models	(see Standard Sockets p 35)
20H100005 Front Facing Lever E23/33	Add E8 to Model# 8" Extension for E34/44 Models	Contact Stanley for Special
20H207207 Rubber Grip (Rear facing lever)	Add E10 to Model# 10" Extension for E23/44 Models	Socket Options
Mounting Options	Example: E33LT74-30E4	Vinyl Head Cover Options
20K101400 Swivel Bail E23/33	E3 L Motor Options	20D250724 T346 20D250729 T74
	20M102600 E3L Cooling Fan Kit	20D250726 T252 20D250728 T264



T23



T99



T20

Two Handed Operation Options
 20K400001 (E34/44 Models)

MODEL	Rated Speed RPM	Torque Range		"R" Side to Center		"R" Nose Radius		"T" Thickness		"L" Length		Weight		Maximum Hex Size	Maximum Tube Size
		Nm	lb ft	mm	in	mm	in	mm	in	mm	in	kg	lb	mm (in)	mm (in)
E34LT23-41	495	12 - 41	9 - 30	18.5	0.73	18.5	0.73	23	0.92	590	23.2	3.6	7.9	27 (1 1/16)	19 (3/4)
E34LT99-46	515	14 - 46	10 - 34	26	1.03	26	1.03	19.5	0.77	612	24.1	3.9	8.6		
E34LT99-62	340	19 - 62	14 - 46	26	1.03	26	1.03	19.5	0.77	612	24.1	3.9	8.6		
E44LT20-102	375	31 - 102	23 - 75	26	1.03	26	1.03	32	1.25	628	24.7	4.8	10.6		

Standard Configuration	Gearcase Extensions	Includes One Integral Socket
Rear Facing Lever	Add E6 to Model# 6" Extension for E34/44 Models	Standard Hex Socket Options
20K100000 Reaction Bar Steel	Add E8 to Model# 8" Extension for E34/44 Models	(see Standard Sockets p 35)
Handle Options	Add E10 to Model# 10" Extension for E34/44 Models	Contact Stanley for Special Socket Options
20H100105 Front Facing Lever E44/45/55	Example: E34LT99-46E6	Vinyl Head Cover Options
20H207207 Rubber Grip (Rear facing lever)	E3 L Motor Options	20D250727 T23 20D250725 T20
	20M102600 E3L Cooling Fan Kit	20D250730 T99

Crowfoot/ Tubenut Standard Socket Selection



Choose Your Socket

A new part number system for standard crowfoot and tubenut sockets enables customers to describe and price standard sockets for each application. The part number includes information on head number of the tool, socket type, socket size and extension length. For special sockets or dimensions not included on this page or contact your local Stanley sales representative.

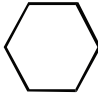


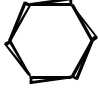
Step 1: Select the Base Code from the Head Number table

Step 2: Add Type, Size and Extension from their tables separated by forward slashes

Note: Specify socket size no larger than Max Hex Size.

Base/ Type/ Size/ Extension

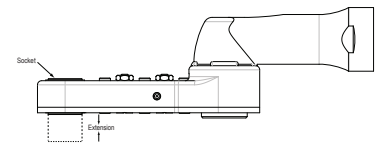
Crowfoot or Tubenut Head Number	Max Hex Size		Base Code
	Size (mm)	Size (in)	
7, 16, 299, 306, 353	19	3/4	L3258
8, 61, 106, 174, 178, 311, 420, 445	13	1/2	L3224
5, 10, 19, 31, 70, 83, 126, 406,	19	3/4	L3217
13, 228, 230, 308, 333, 394, 443	13	1/2	L3213
20	27	1 1/16	L3255
21, 98, 225, 284, 416	27	1 1/16	L3240
23, 84, 95, 135, 309	18	11/16	L3209
29, 35, 121, 152, 175, 221, 234, 278, 287, 496	19	3/4	L3218
47, 170, 294	11	7/16	L3222
69, 173, 279, 301, 307, 313, 317, 327, 362, 379, 381, 385, 448, 455, 477, 487, 516, 521	13	1/2	L3201
74, 164, 261, 265, 269, 271, 273, 274, 286, 291, 312	18	11/16	L3211
79, 82, 103, 167, 508,	13	1/2	L3202
99, 116, 283, 285, 296	27	1 1/16	L3267
147, 32, 75, 91, 92, 132, 136, 137, 138, 182, 184, 190, 202, 208, 209, 211, 212, 213, 266, 267, 270, 288, 300, 302, 303, 305	11	7/16	L3282
	12 or 13 only	1/2 only	L3281
	12 or 13 only	1/2 only	L3283
Thru Hex "BASE" number for this section	13	1/2	L3392
160	13	1/2	L3228
200, 324, 396	19	3/4	L3220
203, 456	19	3/4	L3221
216	13	1/2	L3225
246, 297, 315,	13	9/16	L3256
252, 346, 349, 387, 358, 408, 513	13	1/2	20D280700
264, 304	24	15/16	L3259
Thru Hex "BASE" number for this section	24	15/16	L3260

Type
SH Single Hex 
DH Double Hex 
SD Surface Drive 
FL Fast Lead 

Choose mm or in		Choose mm or in	
Size (mm)	Size Code	Size (in)	Size Code
4	M4	1/8	2
5	M5	3/16	3
6	M6	1/4	4
7	M7	5/16	5
8	M8	3/8	6
9	M9	7/16	7
10	M10	1/2	8
11	M11	9/16	9
12	M12	5/8	10
13	M13	11/16	11
14	M14	3/4	12
15	M15	13/16	13
16	M16	7/8	14
17	M17	15/16	15
18	M18	1	16
19	M19	1 1/16	17
20	M20		
21	M21		
22	M22		
23	M23		
24	M24		
25	M25		
26	M26		
27	M27		

Length		Extension Code
(mm)	(in)	
Standard	Standard	0
3	1/8	3
6	1/4	6
9	3/8	9
12	1/2	12
15	5/8	15
18	3/4	18
21	7/8	21
24	1	24
27	1 1/16	27
30	1 1/8	30
33	1 1/4	33
36	1 3/8	36
39	1 1/2	39
42	1 5/8	42
45	1 3/4	45
48	1 7/8	48
51	2	51

Example Order Numbers



Example 1: A #8 crowfoot head requires a 3/8 in surface drive socket with a 1 in extension. Select the BASE (L3224), TYPE (SD), SIZE (6) and EXTENSION (24).

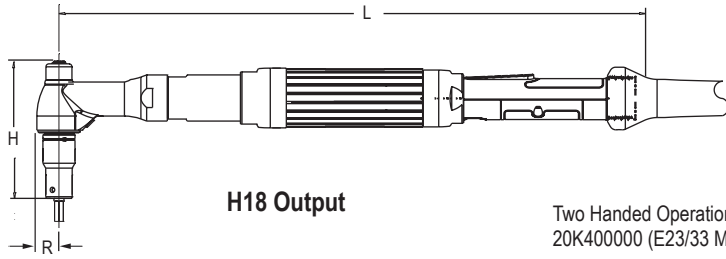
Base	Type	Size	Ext.
L3224	/SD	/6	/24

Example 2: A #147 tubenut head requires a 10mm hex socket with a standard extension. Select the BASE (L3282), TYPE (SH), SIZE (M10) and EXTENSION (0).

Base	Type	Size	Ext.
L3282	/SH	/M10	/0

E Hold & Drive Lever

Hold & Drive Lever (11 to 110 Nm)

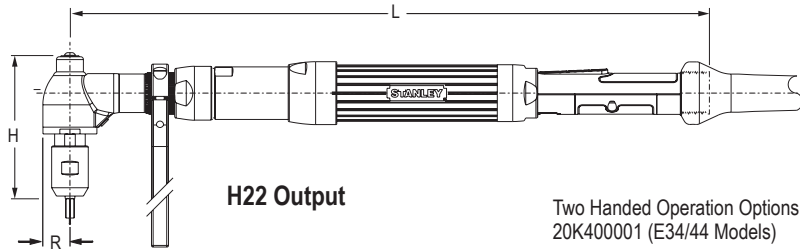


H18 Output

Two Handed Operation Options
20K400000 (E23/33 Models)

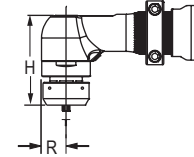
Tool Configuration
Select model and options.
See pp 38-42 for Hold & Drive Options.
See p 51 for E Cables.
See pp 14-18 for QA Controllers.

MODEL	Rated Speed RPM	Torque Range		"R" Side to Center		"H" Head Height		"L" Length		Weight		Output	
		Nm	lb ft	mm	in	mm	in	mm	in	kg	lb	Standard	
E23LH18V1-35	345	11 - 35	8 - 26	17.5	0.69	109	4.28	464	18.3	2	4.5	1" Tang	
E33LH18V1-46	750	14 - 46	10 - 34	17.5	0.69	109	4.28	464	18.3	2.2	4.9	1" Tang	
E23LH18V2-35	345	11 - 35	8 - 26	17.5	0.69	142	5.58	464	18.3	2.1	4.6	2" Tang	
E33LH18V2-46	750	14 - 46	10 - 34	17.5	0.69	142	5.58	464	18.3	2.3	5	2" Tang	
Standard Configuration		H18 Output Options				Gearcase Extensions							
Rear Facing Lever		20D124600				1" Retraction H18 Bit Holder Head		Add E4 to Model#					4" Extension
Handle Options		20D124601				2" Retraction H18 Bit Holder Head		Add E6 to Model#					6" Extension
20H100005 Front Facing Lever E23/33		Mounting Options				20K101400 Swivel Bail E23/33		Add E10 to Model#					10" Extension
20H207207 Rubber Grip (Rear facing lever)		20K101400				Swivel Bail E23/33		Example: E23LH18V1-35E4					
E3 L Motor Options		20M102600				E3L Cooling Fan Kit		Headlight Kit					
Add HD High Duty Cycle Motor Example: E23LH18V1-35HD						A3061 Wire Bail		20K101800					E23L, E33L



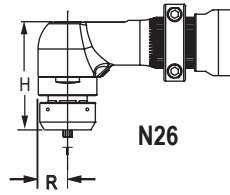
H22 Output

Two Handed Operation Options
20K400001 (E34/44 Models)



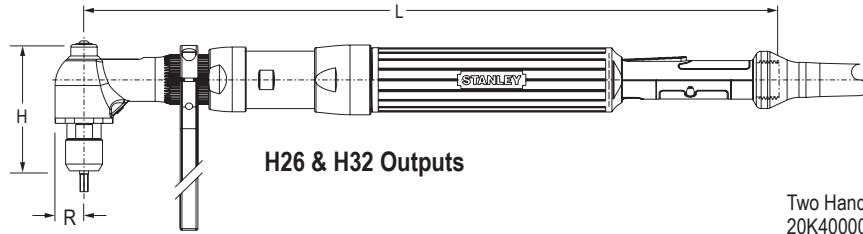
MODEL	Rated Speed RPM	Torque Range		"R" Side to Center		"H" Head Height		"L" Length		Weight		Output	
		Nm	lb ft	mm	in	mm	in	mm	in	kg	lb	Standard	
E34LH22V1-110	300	33 - 110	24 - 81	22	0.88	118	4.65	530	20.9	3.4	7.5	1" Tang	
E34LH22V1-66	535	20 - 66	16 - 48.5	22	0.88	118	4.65	530	20.9	3.4	7.5	1" Tang	
E34LN22V1-110	300	33 - 110	24 - 81	22	0.88	99	3.88	530	20.9	3.4	7.5	1" Tang	
E34LN22V1-66	535	20 - 66	16 - 48.5	22	0.88	99	3.88	530	20.9	3.4	7.5	1" Tang	
E34LH22V2-110	300	33 - 110	24 - 81	22	0.88	144	5.68	530	20.9	3.5	7.6	2" Tang	
E34LH22V2-66	535	20 - 66	16 - 48.5	22	0.88	144	5.68	530	20.9	3.5	7.6	2" Tang	
E44LH22V1-110	480	33 - 110	24 - 81	22	0.88	144	4.65	539	21.2	3.8	8.3	1" Tang	
E44LH22V1-66	680	20 - 66	16 - 48.5	22	0.88	144	4.65	539	21.2	3.8	8.3	1" Tang	
E44LN22V1-110	480	33 - 110	24 - 81	22	0.88	99	3.88	539	21.2	3.8	8.3	1" Tang	
E44LN22V1-66	680	20 - 66	16 - 48.5	22	0.88	99	3.88	539	21.2	3.8	8.3	1" Tang	
E44LH22V2-110	480	33 - 110	24 - 81	22	0.88	144	5.68	539	21.2	3.8	8.4	2" Tang	
E44LH22V2-66	680	20 - 66	16 - 48.5	22	0.88	144	5.68	539	21.2	3.8	8.4	2" Tang	
Standard Configuration		Gearcase Extensions				Mounting Options							
Rear Facing Lever		Add E6 to Model#				6" Extension for E34/44 Models		20K200000					Swivel Bail E34/44
20K100000 Reaction Bar Steel		Add E8 to Model#				8" Extension for E34/44 Models		20K100500					Base Mount 34/44
Handle Options		Add E10 to Model#				10" Extension for E34/44 Models		20K100300					Flange Mount 34/44
20H100105 Front Facing Lever E44/45/55		Example: E34LH22-110E6				H22 Output Options							
20H207207 Rubber Grip (Rear facing lever)		E3 L Motor Options				20D103202		1" Retraction H22 Bit Holder Head					
Vinyl Head Cover Options		20M102600				E3L Cooling Fan Kit		20D103204					2" Retraction H22 Bit Holder Head
20D250708 H22		Add HD High Duty Cycle Motor				N22 Output Options							
		Example: E34LH22V1-110HD				20D131300		1" Retraction N22 Bit Holder Head					
						20D103214		2" Retraction N22 Bit Holder Head					

Hold & Drive Lever (29 to 380 Nm)



N26

Tool Configuration
 Select model and options.
 See pp 38-42 for Hold & Drive Options.
 See p 51 for E Cables.
 See pp 14-18 for QA Controllers.



H26 & H32 Outputs

Two Handed Operation Options
 20K4000002 (E45/55 Models)

MODEL	Rated Speed	Torque Range		"R" Side to Center		"H" Head Height		"L" Length		Weight		Output
	RPM	Nm	lb ft	mm	in	mm	in	mm	in	kg	lb	Standard
E45LH26V1-143	330	43 - 143	32 - 105	26	1.02	114	4.62	582	22.9	4.8	10.6	1" Tang
E45LH26V1-191	265	57 - 191	42 - 141	26	1.02	114	4.62	582	22.9	4.8	10.6	1" Tang
E45LN26V1-143	330	43 - 143	32 - 105	26	1.02	96	3.8	582	22.9	4.8	10.6	1" Tang
E45LN26V1-191	265	57 - 191	42 - 141	26	1.02	96	3.8	582	22.9	4.8	10.6	1" Tang
E45LH26V2-143	330	43 - 143	32 - 105	26	1.02	140	5.65	582	22.9	4.9	10.7	2" Tang
E45LH26V2-191	265	57 - 191	42 - 141	26	1.02	140	5.65	582	22.9	4.9	10.7	2" Tang
E55LH26V1-210	385	63 - 210	47 - 155	26	1.02	114	4.62	632	24.9	5.4	11.9	1" Tang
E55LH26V1-95	880	29 - 95	21 - 70	26	1.02	114	4.62	632	24.9	5.4	11.9	1" Tang
E55LN26V1-210	385	63 - 210	47 - 155	26	1.02	96	3.8	632	24.9	5.4	11.9	1" Tang
E55LN26V1-95	880	29 - 95	21 - 70	26	1.02	96	3.8	632	24.9	5.4	11.9	1" Tang
E55LH26V2-210	385	63 - 210	47 - 155	26	1.02	140	5.65	632	24.9	5.5	12	2" Tang
E55LH26V2-95	880	29 - 95	21 - 70	26	1.02	140	5.65	632	24.9	5.5	12	2" Tang
E55LH32V1-320	250	96 - 320	71 - 236	32	1.25	155	6.1	639	25.1	6.1	13.5	1" Tang
E55LH32V1-380	200	114 - 380	84 - 280	32	1.25	155	6.1	639	25.1	6.1	13.5	1" Tang
E55LH32V2-320	250	96 - 320	71 - 236	32	1.25	180	7.1	639	25.1	6.2	13.6	2" Tang
E55LH32V2-380	200	114 - 380	84 - 280	32	1.25	180	7.1	639	25.1	6.2	13.6	2" Tang

Standard Configuration		Gearcase Extensions		Mounting Options	
Rear Facing Lever		Add E6 to Model#	6" Extension for E45/55 Models	20K200100	Swivel Bail E45/55
20K100200	Reaction Bar Steel	Add E9 to Model#	9" Extension for E45/55 Models	20K100700	Flange Mount 45/55
Handle Options		Add E12 to Model#	12" Extension for E45/55 Models	20K100600	Base Mount 45/55
20H100105	Front Facing Lever E44/45/55	Example: E45LH26-143E6		Vinyl Head Cover Options	
20H207207	Rubber Grip (Rear facing lever)			20D250709	H26
H26 Output Options		H32 Output Options		20D250710	H32
20D103602	1" Retraction H26 Bit Holder Head	20D103702	1" Retraction H32 Bit Holder Head		
20D103604	2" Retraction H26 Bit Holder Head	20D103704	2" Retraction H32 Bit Holder Head		
N26 Output Options		E4 L/E5 L Motor Options			
20D127100	1" Retraction N26 Bit Holder Head	Add HD	High Duty Cycle Motor Example: E45LH26V-143HD		

Hold & Drive Socket, Bit & Tang Options

LH18 Output Options

~20D905700 Socket Options

Hex

Size	Part No.
14mm	20D253600
15mm	20D253604
16mm	20D253601
17mm	20D253603
18mm	20D253606
19mm	20D253610
24mm	20D253611

~20D905700 Tang Options

Size	Extension	Part No.
5mm	7.5mm	20D261701
6mm		20D261703
6mm	8mm	20D261700
6mm	10mm	20D2617020

~20D905600 Bit Holder Options

Size	Part No.
1/4"	20D254200
5/16"	20D253400

Extended Hex

Size	Extension	Part No.
14mm	5mm	20D253602
14mm	6mm	20D253605
16mm	17mm	20D253607

LH22 Output Options

~N4617 Socket Options

Hex

Size	Part No.
7/16"	A6184
7/8"	A6186
13mm (1/2")	A6185
14mm	H4747
9/16	N4884
15mm	N4665
16mm (5/8")	N4617
17mm	H4270
18mm	N4619
19mm	N4746
11/16"	20D235100
21mm	N4793
22mm	H4600
24mm	A6261
1"	20S202000
27mm	20D232607

Extended Hex

Size	Extension	Part No.
14mm	1-5/8"	A6451
14mm	2-5/8"	20D215100
14mm	4-5/8"	20D215101
14mm	7-3/8"	20D215102
15mm	1/2"	H4597
15mm	1"	A6282
15mm	6"	A6002
16mm	3/8"	20D245502
16mm	17mm	20D245503
16mm	30mm	N4620
16mm	60mm	20D245500
16mm	200mm	20D245501
18mm	17mm	20D253608
18mm	1"	20D227000
18mm	27mm	20D222003
18mm	3"	20D233000
19mm	11mm	20D215106
21mm	67.6mm	20D222006
21mm	110mm	20D132204
21mm	6"	20D222600
24mm	1/2"	20D222903
27mm	75mm	20D232604

Deep Extended Hex

Size	Extension	Part No.
18mm	18mm	H4038
21mm	18mm	H4037

Surface Drive Extended Hex

Size	Extension	Part No.
17mm	1-1/8"	H4651
18mm	1/2"	A6269
18mm	46mm	H4500
18mm	12-1/2"	20D132203
21mm	40mm	20D222001
21mm	80mm	20D222000

Extension Tube Options with Hex Sockets

Size	Extension	Part No.
18mm	8"	20D132201
18mm	12"	20D132200
19mm	4"	20D132202

Hex Surface Drive

Size	Part No.
13mm	H4435
15mm	A6200
17mm	N4750
18mm	H4036
21mm	H4595

LH22 Output Options continued

~F4287 Tang Options

Description	Part No.
7.7MM X 9.8MM FEMALE SHANK	F4287
1/4" HEX HOLDER	F4360
10MM FEM.HEX TANG HOLDER	F4406
7.7 X 9.8 X 16MM EXT TANG HOLD	F4542
5MM X 8MM TANG HOLDER	F4544
5.7MM X 8MM TANG HOLDER	F4572
8MM (5/16) INT. HEX TANG	F4573
5.9MM X 8.1MM TANG HOLDER	F4596
10MM X 13MM TANG HOLDER	F4600
8.5 HEX FEMALE TANG HOLDER	F4636
.390" X .529" TANG HOLDER	F4673
8MM X 6.35MM TANG HOLDER	F4718
2.7MM X 7MM BIT	F4866
6.7MM X 7MM TANG HOLDER	F4870
7.2MM X 10.2MM TANG HOLDER	F4975
10MM TANG HOLD LEFT HAND	J4043
1/4 X 5/16 TANG HOLDER	J4178
8MM X 6.35 X 1/2 TANG HOLDER	J4214
8.5 X 10.5 X 16MM TANG HOLDER	J4296
8.5 X 10.5MM TANG HOLDER	J4302
9.75 X 12MM TANG HOLDER	J4314
7.7 X 9.8 X 80MM TANG HOLDER	J4315
7.7 X 9.8 X 157MM TANG HOLDER	J4317
8MM HEX TANG HOLDER 10MM EXT	J4382
8MM HEX TANG HOLDER	J4456
7MM FEMALE HEX TANG HOLDER	J4586
6.3 X 9MM TANG HOLDER	J4707
8MM X 11MM TANG HOLDER	J4785
8MM X 5.7MM X 1" EXT TANG	J4830
6.3 X 7.5MM TANG HOLDER	J4877
8.90 X 11.20MM X 80MM TANG	J4990
9MM FEMALE HEX TANG HOLDER	L4005
10MM X 6MM TANG HOLDER	L4017
5MM X 8MM TANG HOLDER	L4019
11/32 HEX FEMALE TANGE	L4106
8.2MM X 9.8MM TANG HOLDER	L4117
3/8 FEMALE HEX TANG HOLDER	L4373
9.2 X 12.5MM TANG HOLDER	L4523
8MM X 5.77MM TANG HOLDER	L4524
6MM X 7.72MM TANG HOLDER	L4544
6 X 8MM TANG HOLDER	L4644
TANG HOLDER 9MM SURF DR	L4694
TANG HOLDER 12.5 X 9.2 MM	L4738
TANG HOLDER 12.5 X 9.2 X 300MM	L4732
TANG HOLDER 8MM HEX 80 MM EXT	L4784
11MM HEX TANG HOLDER	L4803

Description	Part No.
8MM HEX TANG HOLDER X 19 MM	L4848
TANG HOLDER 8.2 X 9.8 MM	L4869
4MM MALE HEX TANG HOLDER	L4898
6.3 X 9.8MM TANG HOLDER	L4978
TANG HOLDER 12.5 X 9MM X	N4029
TANG HOLDER 12.5 X 9MM X 145MM	N4030
TANG HOLDER 12.5 X 9	N4031
TANG HOLDER 10 X 7.6MM X	N4033
TANG HOLDER 12.5 X 9MM X	N4032
10MM X 7.6MM TANG HOLDER	N4133
12.5MM X 9MM TANG HOLDER	N4130
12.5MM X9MM TANG HOLDER 27MM	N4131
12.5MM X 9MM TANG HOLDER 102MM	N4132
9.2 X 12.5MM TANG HOLDER 157MM	N4151
12.5 X 9MM TANG HOLDER 62MM	N4187
TANG HOLDER 10MM HEX X 1.531	N4189
TANG HOLDER 6MM HEX	N4192
12.5MM X 9MM TANG HOLDER	N4384
8 X 5.7 TANG HOLDER 87MM EXT	N4400
6.3 X 8.0 X 32MM EXT TANG	N4413
9.2 X 12.5MM TANG HOLDER 8.5MM	N4467
9.2MM X 12.5MM X 26.5MM EXT.	N4469
10MM HEX T HOLDER 1/4" EXT	N4575
8MM X 12MM TANG HOLDER	N4483
6MM X 13MM TANG HOLDER	N4484
7.2MM X 9.2MM TANG HOLDER 80MM	N4587
TORX SOCKET 3/8" SQ X E14	R7927
7.7MM X 9.8MM X 30MM	N4621
7.2MM X 9.2MM TANG HOLDER	N4658
10 X 7.6MM TANG HOLDER 182MM	N4697
10 X 7.6MM TANG HOLDER 102MM	N4699
8MM X 6MM TANG HOLDER	N4666
10MM X 3-1/8 EXT TANG HOLDER	N4712
6MM HEX TANG HOLDER 80MM EXT	N4716
TANG HOLDER 9 X 11.5MM X	N4747
TANG HOLDER 9 X 12.6MM X 157MM	N4748
TANG HOLDER 8 X 10MM X 80MM	N4749
TANG HOLDER 8 X 10MM X 157MM	N4752
5MM HEX TANG HOLDER	N4758
1/4" X 7/16" TANG HOLDER	N4826
6.3MM X 9.8MM TANG HOLDER 37MM	N4834
10MM X 7MM TANG HOLDER	N4921
11/32" HEX TANG HOLDER	N4927
10MM X 7.6MM TANG HOLDER	N4994
10MM X 7.3MM TANG HOLDER 152MM	N4995
14MM DOUBLE HEX SOCKET	N4064

Description	Part No.
6.3MM X 9.3MM TANG HOLDER	H4115
7MM HEX TANG HOLDER 1" EXT	H4161
8MM SQ FEMALE TANG HOLDER	H4191
8MM X 11MM TANG HOLDER W/ LEAD	H4176
6 X 10MM TANG HOLDER .600 OD	H4209
.340 HEX TANG HOLDER	H4210
8MM HEX TANG HOLDER 1" EXT	H4372
TORX SOCKET TX3114	H4373
9.2 X 12.5MM TANG HOLDER	H4448
9.2 X 12.5MM TANG HOLDER 182MM	H4483
9.22 X 12.5MM TANG HOLD	H4484
9.2 X 12.5MM TANG HOLDER	H4485
8 X 10MM TANG HOLDER 10MM EXT	H4488
6.3 X 8.7MM TANG HOLDER 80MM	H4489
4MM X 6MM TANG HOLDER	H4475
9MM HEX TANG HOLDER 46MM EXT	H4499
6 X 8MM TANG HOLDER 43MM EXT	H4577
9 X 11MM TANG HOLDER	H4578
6 X 8MM TANG HOLDER 47MM EXT	H4593
5.7 X 8MM TANG HOLDER 5MM EXT	H4606
5.6 X 9.8MM TANG HOLDER	H4607
5.9 X 6.8MM TANG HOLDER	H4676
6.8 X 8.25MM TANG HOLDER	H4725
2 STEP TANG HOLD 6.00&7.08 X	H4748
7MM X 11MM TANG HOLDER	H4761
7.3MM X 9.4MM TANG HOLDER	H4829
5.7MM X 8MM TANG HOLDER	H4840
6.35 X 8.12MM TANG HOLDER	H4858
5 X 7.5MM TANG HOLDER	H4857
12MM FEMALE HEX TANG HOLDER	H4874
10MM FAST LEAD TANG HOLDER	H4877
8MM HEX TANGHOLDER 8" EXT	H4888
TANG HOLDER 9.4 X 11.3MM STD	H4889
TANG HOLDER 9.2MMX12.5MMX45MM	H4819
8.0 X 10.5MM TANG HOLDER, 8"	H4904
8.7 X 11MM TANG OLDER, STD.	H4905
10.2 X 11.5MM TANG HOLDER, STD	H4906
TANG HOLDER 8MM X 10MM 1-1/8	H4958
10MM HEX TANG HOLD 32MM EXT	H4960
7MM FEMALE TANG HOLDER 6" EXT	A6003
4.4 X 8MM TANG HOLDER	A6005
E12 TORX SOCKET	R8461
6.24 X 7.5MM TANG HOLDER	A6136
10MM HEX X 75MM EXT TANG	A6233
8MM SQ TANG HOLDER 47MM EXT	A6226
6MM X 8MM TANG HOLDER	A6089

Hold & Drive Socket, Bit & Tang Options

LH22 Output Options continued

~ F4287 Tang Options

Description	Part No.
TANG/EXTENSION KIT,8MMHX,12"LG	20D132300
TANG HOLDER 11MM SURF. DR X	20D214300
TANG HOLDER 8MM SURF. DR. X	20D214301
TANG HOLDER 6.4MM X 8.4M X	20D215400
10MM FEMALE HEX x 6.00"	20D222700
A3H TANG HOLDER, 8.8MM X 9.8MM	20D226100
TANG HOLDER SP. 11.28 DOUBLE	20S200602
E8 TORX TANG HOLDER,	20D226200
15MM X 17MM TANG HOLDER	20S201900
TANG HOLDER 5.0 X 6.3MM	20D242700
TANG HOLDER - 7MM SURF DR	20D246900
5.5 X 7.3, 6MM EXT,TANG HOLDER	20D242701
6.0MM X 5.0 MM, TANG HOLDER	20D242702
TANG HOLDER, E12 TORX	20D226201
E8 TORX X 6" EXT HEX BIT	20D226202
6.5MM X 8MM, TAPERED LEAD,TANG	20D226101
10.22mm FEMALE HEX TANG HOLDER	20D222702
TANG HOLDER 5.4mm X 7.7mm	20D242703
H22 SKT/EXT TUBE KIT, 19mm, 4"	20D132202
8MM X 8" EXT H22 TANG ASM	20D132301
8MM X 12-1/2" EXT, SURF DR H22	20D132305
10MM X 32MM EXT, SURF DR TANG	20D245103
6MM HEX 6MM DEEP, TANG H22	20D214303
13MM HEX TANG HOLDER,A22/40A4H	20D214304
7.2MM X 10MM, 11MM EXT TANG	20D214305
10MM X 37MM,SURF DR, TANG HLDR	20D245105
10MM X 37MM EXT.,TANG HOLDER	20D245106
10MM X 67.6MM EXT, HEX,TANG	20D245109
10MM X 55MM OAL TANG H22/H26	20D245112
10mm HEX, 64mm O'ALL LENGTH	20D245111

~ F4288 Bit Holder Options

Size	Extension	Part No.
1/4"		F4360
1/4"		20D215200
1/4"	1/4"	A6181
1/4"	1/4"	A6182
1/4"	1 5/8"	A6452
5/16"		F4288
5/16"		A6193
5/16"		S7750 (Special Diameter)
5/16"	1/4"	A6183
5/16"	31mm	N4631
5/16"	1"	20D226900
5/16"	60mm	H4897
5/16"	3"	20D233100
5/16"	80mm	N4670
5/16"	100mm	20DS200009
5/16"	110mm	20D132306
5/16"	4"	20D132302
5/16"	150mm	20D215208
5/16"	155mm	20D215207
5/16"	175mm	20D247200
5/16"	6 5/8"	20D215202
7/16"		20D215201

LH26 Output Options

~N4285 Socket Options

Description	Part No.
10MM SURFACE DR SOCKET	A6137
17MM HEX SOCKET	F4285
19MM HEX SOCKET	F4294
14MM SOCKET	F4359
21MM SOCKET	F4401
22MM HEX SOCKET	F4487
24MM (15/16") HEX SOCKET	F4512
19MM X 16MM EXT SOCKET	F4541
9/16" HEX SOCKET	F4571
18MM HEX SOCKET	F4635
19MM X 10MM HEX SOCKET	F4653
15MM HEX SOCKET	F4717
1-1/16HEX (27MM) SOCKET	F4867
19MM X 7MM SURFACE DR. SOCKET	F4869
21MM FAST LEAD SOCKET	J4044
16MM (5/8") HEX SOCKET	J4090
15MM X 1/2 EXT SOCKET LA3H	J4213
17MM HEX SOCKET (SPEC. O.D.)	J4304
19MM X 80MM EXT SOCKET	J4316
19MM X 157MM EXT SOCKET	J4318
19MM X 18MM EXT SURFACE DR	J4381
17MM HEX SOCKET SURFACE DR	J4398
14MM FAST LEAD SOCKET	J4457
17MM X 19MM EXT SOCKET	J4467
22MM FAST LEAD SOCKET LA3H	J4607
17MM FAST LEAD SOCKET LA3H	J4608
9/16 X 1/2 EXT REACTION SOCKET	J4708
15MM X 1" EXT HEX SOCKET	J4829
TANG DRIVE SOCKET	S7749
22MM X 80MM EXT SOCKET LA3H	J4989
18MM X 80MM EXT SURFACE DR	L4067
21MM X 80MM EXT SURFACE DR	L4068
18MM X 157MM EXT SURF DR	L4073
11/16 HEX SOCKET	L4116
18MM 1/4" EXT (SPECIAL OD)	L4118
19MM HEX SOCKET LA3H	L4119
22MM X .52MM EXT HEX SOCKET	L4372
18MM X 80MM SURF DR SKT SPEC	L4426
19MM SURFACE DR SOCKET LA3H	L4474
11/16 SOCKET 36MM EXT	L4525
15MM SURFACE DR. SOCKET	J4662
16MM X 10MM EXT SOCKET	L4535
18MM SOCKET 1 1/2" EXT	L4556
22MM SURF DR SOCKET 10MM EXT	L4557
30MM HEX SOCKET LA4H	L4622
18MM X 19MM EXT HEX SOCKET	L4646

Description	Part No.
24 MM SOCKET 10 MM EXT	L4663
HEX SOCKET 21MM X 300MM	L4733
19 MM FAST LEAD SOCKET	L4868
19 MM SOCKET X 3/8" EXT	L4886
12MM HEX SOCKET (LA3H)	L4897
21MM SURF DR SOCKET 75 MM EXT	N4034
21MM SURF DR SOCKET 150 EXT	N4035
21MM SURF DR SOCKET	N4036
18MM X 37MM EXT SURF DR SOCKET	N4134
21MM X 37MM EXT SURF DR SOCKET	N4135
21MM X32MM EXT SURF DR SOCKET	N4136
21MM X 107MM EXT SURF DR	N4137
21MM X 80MM EXT SURF DR SOCKET	N4149
21MM X 157MM EXT SURF DR	N4150
20MM HEX SOCKET	N4177
21MM SURF DR SOCKET 67MM EXT	N4186
21MM HEX SOCKET X 1.531 EXT	N4188
21MM HEX SOCKET 8MM EXT	N4337
21MM HEX SOCKET 57MM EXTENDED	N4382
17MM X 87MM EXT SOCKET	N4398
15MM SURF DR SOCKET 37MM EXT	N4412
24MM SURF DR SOCKET	N4439
22MM SURF DR SOCKET	N4440
18MM HEX SOCKET 1/4" EXT	N4457
21MM X 8.5MM EXT. HEX SOCKET	N4466
18MM X 26.5MM EXT. HEX SOCKET	N4468
18MM HEX SOCKET 187MM EXT	N4696
18MM HEX SOCKET 107MM EXT	N4698
15MM X 80MM EXT. SURFACE DR.	N4582
18MM X 3-1/8" EXT HEX SOCKET	N4711
18MM HEX SURF DR SOCKET 80MM	N4715
15MM DBLE. HEX SOCKET	N4782
15MM HEX SOCKET (USE W/ N4826)	N4825
18MM HEX SOC 1-1/2" EXT FAST	N4925
18MM HEX SOCKET FAST LEAD	N4926
17MM HEX SOCKET 10MM EXT	N4975
21MM SURF DR SOC 15MM DEEP	H4039
18MM SURF DR SOC 12MM DEEP	H4040
18MM SURF DR SOCKET	H4177
21MM SURF DR SOCKET 182MM EXT	H4366
17MM HEX SURF DR SOCKET 37MM	H4409
21MM SURF DR SOC 155MM EXT	H4447
21MM SURF DR SOCKET 10MM EXT	H4486
18MM SURF DR SOCKET 10MM EXT	H4487
17MM SURF DR SOCKET 1.5" EXT	H4576
17MM SURF DR SOCKET 1-5/8" EXT	H4594

Description	Part No.
18MM SURF DR OVER SIZE	H4612
18MM HEX SOCKET 32MM EXT	H4628
21MM HEX SOCKET 52MM EXT	H4629
17MM HEX SOCKET 36MM EXT	H4781
18MM HEX SOCKET 8" EXT	H4886
SOCKET 24MM X 45MM EXT.	H4820
17MM X 1-1/8" EXT SOCKET	H4959
14MM DBL HEX SOCKET	A6231
18MM HEX SURF DR X 1-1/2"	A6215
22MM HEX - A3H SPECIAL O.D.	A6216
22M SURFACE DRIVE - 1/4 EXT	A6228
15/16" X 60MM HEX SKT, 40A3H	A6270
21 MM SURF DR. X 2" SKT	A6467
19MM HEX SURF. DR. X 46MM EXT.	A6474
SOCKET 24MM X 8" EXT SURFACE	20D213700
21MM X 8.5MM EXT SURF DR - A3H	20D226300
SPECIAL 21MM X 80MM EXT.	20D232600
23MM HEX SOCKET, A40LA3H	20D232601
21MM X 8" EXT, HEX SKT ASM-H26	20D135900
27MM X 77MM EXT, H26 SKT	20D232606
7/8 HEX SOCKET	J4850
HEX SOCKET 1 1/8" SINGLE HEX	20D232609
HEX SOCKET, 21MM X 67.6MM EXT.	20D232610
HEX SOCKET 21MM X 28MM EXT	20D232611
HEX SOCKET 34MM, H26	20D232612

Hold & Drive Socket, Bit & Tang Options

LH26 Output Options continued

~H4948 Tang Holder Options

Description	Part No.
10MM HEX TANG HOLDER	H4948
8MM HEX TANG HOLDER	H4949
8MM HEX TANG HOLDER 8" EXT	H4982
10MM HEX TANG HOLDER 3.125"	H4983
12MM HEX TANG HOLDER	H4946
10MM HEX TANG HOLD 32MM EXT	H4960
10 X 12MM TANG HOLDER	A6004
10MM HEX FAST LEAD TANG HOLDER	A6030
TWO STEP TANG HOLDER	A6043
8MM TANG HOLDER 32MM EXT	A6053
7.1 X 8.25 MM TANG HOLDER	A6032
6MM X 8MM TANG HOLDER	A6089
5MM HEX TANG HOLDER	A6123
8MM HEX TANG HOLDER	A6132
8.7 X 11MM X 157MM EXT. TANG	A6203
8.0mm X 80mm EXT. A3H TANG	A6296
6.4MM X 8.4MM TANG HOLDER	A6288
10MM HEX X 2" EXT TANG	A6468
TANG HOLDER 12MM HEX X 8" EXT	20D213800
TANG HOLDER 11MM HEX X STD'D	20D215300
TANG HOLDER, 11MM SURFACE	20D216300
8MM HEX X 1.500 EXT TANG	20D216600
7MM X 1" EXT TANG HOLDER	20D223900
9MM FEMALE HEX TANG HOLDER	20D222701
TANG HOLDER 10MM SURF DR	20D245100
TANG HOLDER, .343 HEX	20D223901
7.7mm x 9.8mm RECT TANG HLDR	20D223902
10MM X 8" EXT, HEX TANG ASM	20D132303
10MM X 1-1/2" EXT, SURF DR TANG	20D245102
10MM X 7.5" EXT, SURF DR TANG	20D132304
E8 TORX TANG HOLDER,	20D226200
10MM X 32MM EXT, SURF DR TANG	20D245103
6MM HEX 6MM DEEP, TANG H26	20D245104
10MM X 67.6MM EXT, SURF DR, TANG	20D245108
10MM X 67.6MM EXT, HEX, TANG	20D245109
8.9MM X 11.2MM RECT TANG HOLDE	20D245110
10mm HEX, 64mm O'ALL LENGTH	20D245111
10MM X 55MM OAL TANG H22/H26	20D245112
TANG HOLDER, E12 TORX	20D226901

~H4947 H26 Bit Holder Options

Description	Part No.
HEX BIT HOLDER 5/16"HEX	H4947
BIT HOLDER 80MM EXT (FOR	N4670
BIT HOLDER 1/4" HEX X STD EXT	A6273
5/16" HEX BIT HOLDER 31MM EXT	N4631
HEX BIT HOLDER 5/16" X 1/4"	20D241300
HEX BIT HOLDER 5/16 HEX,	H4897
5/16" X 77MM EXT, BIT HOLDER	20D241301

~F4296 Bit Selection

Description	Part No.
7MM HEX BIT (FOR 5/16 HOLDER)	F4296
5MM HEX BIT (FOR 5/16 HOLDER)	F4380
6MM HEX BIT (FOR 5/16 HOLDER)	F4399
8MM HEX BIT (FOR 5/16 HOLDER)	F4513
5MM HEX BIT (FOR 1/4 HOLDER)	F4361
10MM MALE HEX BIT	L4259
5/16" HEX BIT (USE W/ F4360)	N4451
8MM HEX BIT (FOR 1/4" HOLDER)	N4991
T15 TORX BIT (FOR 1/4" HOLDER)	H4280
HEX INSERT BIT -SLOTTED (FOR	H4436
BIT FOR "XNZ" SCREW (FOR 5/16"	H4533
1/4" MALE HEX BIT (USE W/	A5668
3/8" MALE HEX BIT (USE W/	A5666
T27 TORX BIT 1/4" SHANK	A6134
7MM HEX BIT (FOR 1/4" HOLDER)	H4909
HEX BIT 14MM	A5724
6MM SQUARE BIT	A6206
6MM X 5MM BIT	A6207
HEX BIT-1/4 HEX 5/32 HEX	A6178
HEX BIT-1/4 HEX 3/16 HEX	A6179
T30 HEX BIT	A6341
HEX BIT - T40, MADE FROM X4248	A6373
HEX BIT-T50	A6403
HEX BIT -1/4 HEX	A6453
HEX BIT, T-45	20D240600
SLOTTED HEX BIT - 5/16" HEX	20D246700
HEX BIT, T30 (1/4" HOLDER)	20D240601
9MM HEX BIT, 1/4" HOLDER	20D240605
5/16" HEX BIT, 7/16" DRIVE	20D240606
T-30 BIT, SPCL LENGTH, 5/16 HLDR	20D240609
T-45 BIT, SPCL LENGTH, 5/16 HLDR	20D240610
6MM HEX BIT, 1/4" DRIVE, MACH	20D240611

These bits can be used in all H18, H22, H26 and H32 Bit Holders

LH32 Output Options

~A5302 Socket Options

Description	Part No.
21MM HEX SOCKET 1" TRAVEL	A5302
1 3/16" (30MM) HEX SOCKET 1"	A5306
1-1/8" HEX SOCKET 1" TRAVEL	A5667
41MM HEX	A5722
36MM HEX SOCKET - 50A2H	A5726
H32 SOCKET - 24MM	20D212101
H32 SOCKET - 27MM	20D212102
23MM HEX SOCKET, H32/A5H	20D212103
22MM SURF DR SKT, H32V1	20D212104

~ 20D900602 Bit Holder Options

Description	Part No.
5/16" Hex	A5307
7/16" Hex	A5723
8 MM Special Outside Diameter	20D250100

~20D900601 Tang Options

Hex

Size	Extension	Part #	Feature
5/16" (8mm)		A5559	
8mm		20D212204	Special O.D.
10mm		A5301	
10mm	1/4"	A5452	
11mm		A5394	
12mm		20D212201	

Surface Drive

Size	Part #
10mm	A5581
11mm	A5549
12mm	20D212203
13mm	20D212202
15mm	20D212206

Fast Lead

Size	Extension	Part #
10mm		A5399
11mm		A5400
11mm	1/4"	A5453

Rectangle

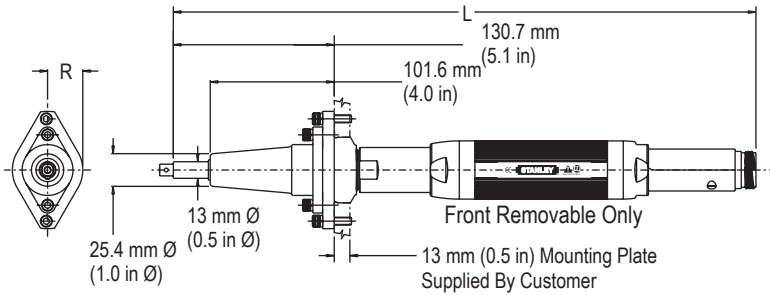
Size	Extension	Part #
10.32 X 13.1mm		A5585
9 x 12.55mm	80mm	A5384

Torx

Size	Part #
T-18	A5340

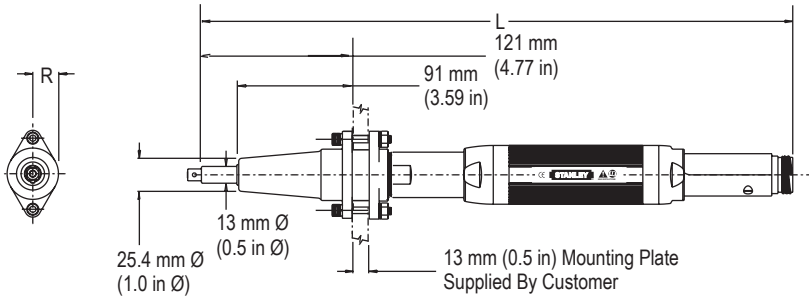
E Retractable Motors

Straight Retractable (2.5 to 40 Nm)



Tool Configuration
 Select model and options.
 See p 51 for E Cables.
 See pp 14-18 for QA Controllers.

MODEL	Rated Speed	Torque Range		"R" Side to Center		"L" Length		Weight		Standard Output	
	RPM	Nm	lb ft	mm	in	mm	in	kg	lb	Retraction	SD
E23MBF1-8	2245	2.5 - 8	2 - 6	29	1.13	457	18	2.1	4.6	19mm (3/4")	3/8"
E23MBF1-21	785	6 - 21	5 - 15.5	29	1.13	470	18.5	2.3	5		
E23MBF1-31	540	9 - 31	7 - 23	29	1.13	470	18.5	2.3	5		
E33MBF1-32	1125	10 - 32	7 - 24	29	1.13	495	19.5	2.4	5.3		
E33MBF1-40	890	12 - 40	9 - 30	29	1.13	495	19.5	2.4	5.3		
E23MBF2-8	2245	2.5 - 8	2 - 6	29	1.13	547	21.5	2.2	4.8	50mm (2")	3/8"
E23MBF2-21	785	6 - 21	5 - 15.5	29	1.13	561	22.1	2.4	5.4		
E23MBF2-31	540	9 - 31	7 - 23	29	1.13	561	22.1	2.4	5.4		
E33MBF2-32	1125	10 - 32	7 - 24	29	1.13	587	23.1	2.5	5.6		
E33MBF2-40	890	12 - 40	9 - 30	29	1.13	587	23.1	2.5	5.6		



MODEL	Rated Speed	Torque Range		"R" Side to Center		"L" Length		Weight		Standard Output	
	RPM	Nm	lb ft	mm	in	mm	in	kg	lb	Retraction	SD
E23MBF1-8F	2245	2.5 - 8	2 - 6	23.6	0.93	457	18	2.1	4.6	19mm (3/4")	3/8"
E23MBF1-21F	785	6 - 21	5 - 15.5	23.6	0.93	469	18.5	2.3	5		
E23MBF1-31F	540	9 - 31	7 - 23	23.6	0.93	469	18.5	2.3	5		
E33MBF1-32F	1125	10 - 32	7 - 24	23.6	0.93	495	19.5	2.4	5.3		
E33MBF1-40F	890	12 - 40	9 - 30	23.6	0.93	495	19.5	2.4	5.3		
E23MBF2-8F	2245	2.5 - 8	2 - 6	23.6	0.93	547	21.5	2.3	5.1	50mm (2")	3/8"
E23MBF2-21F	785	6 - 21	5 - 15.5	23.6	0.93	561	22.1	2.5	5.6		
E23MBF2-31F	540	9 - 31	7 - 23	23.6	0.93	561	22.1	2.5	5.6		
E33MBF2-32F	1125	10 - 32	7 - 24	23.6	0.93	587	23.1	2.6	5.8		
E33MBF2-40F	890	12 - 40	9 - 30	23.6	0.93	587	23.1	2.6	5.8		

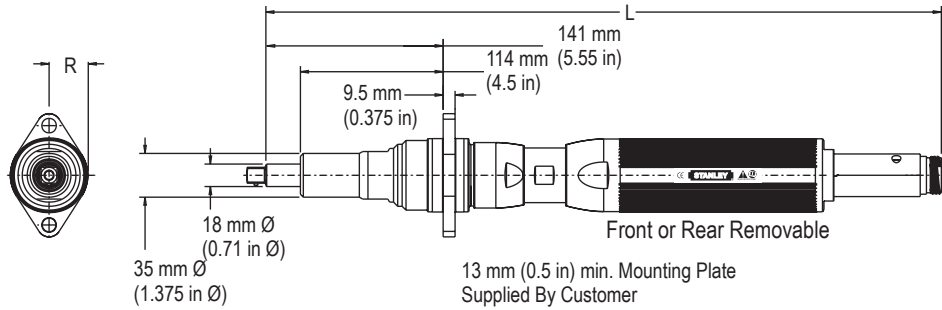
MBF1 Output Options

S3362	3/8" SD X 1 5/32" Ext	M3239	3/8" SD X 3" Ext	S3626	3/8" SD X 7 3/8" Ext
M3243	3/8" SD X 1.478" Ext	M3223	3/8" SD X 4" Ext	M3216	3/8" SD X 8" Ext
S3363	3/8" SD X 2 3/8" Ext	S3486	3/8" SD X 4-1/16" Ext	M3118	3/8"-24 Threaded
M3090	3/8" SD X 2" Ext	M3224	3/8" SD X 6" Ext	M3227	3/8"-24 X 3/4" Ext Threaded
M3184	19mm Heavy Duty Retraction Spring			20S104600	3/8" SD X 8" Ext Ass'y

MBF2 Output Options

20D209805	3/8" SD X 1" Ext	20D209801	3/8" SD X 3" Ext	M3306	50mm (2") Heavy Duty Retraction Spring
20D209807	3/8" SD X 2" Ext	M3283	3/8" SD X 6" Ext		

Straight Retractable Motors (18 to 200 Nm)



Tool Configuration
 Select model and options.
 See p 51 for E Cables.
 See pp 14-18 for QA Controllers.

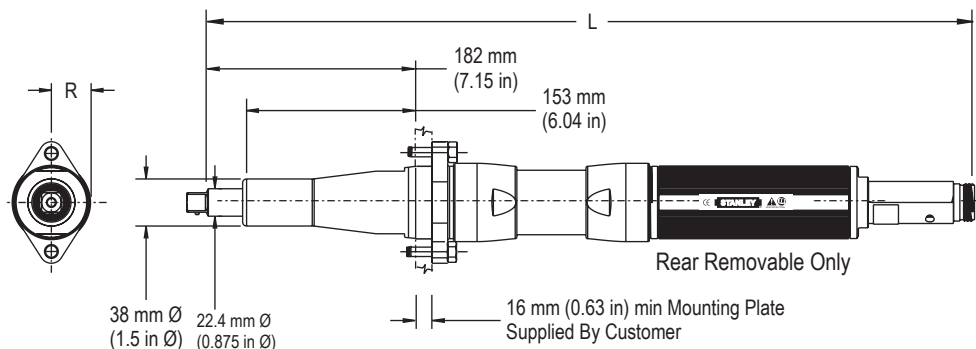
MODEL	Rated Speed RPM	Torque Range		"R" Side to Center		"L" Length		Weight		Standard Output	
		Nm	lb ft	mm	in	mm	in	kg	lb	Retraction	SD
E34MB1F1-60	605	18 - 60	13 - 44	28	1.1	531	20.9	3.5	7.7	25mm (1")	1/2"
E34MB1F1-74	490	22 - 74	17 - 55	28	1.1	531	20.9	3.5	7.7		
E34MB1F1-100	365	30 - 100	22 - 74	28	1.1	531	20.9	3.5	7.7		
E44MB1F1-66	885	20 - 66	15 - 49	31	1.2	540	21.3	4	8.9		
E44MB1F1-100	590	30 - 100	22 - 74	31	1.2	540	21.3	4	8.9		
E34MB1F2-60	605	18 - 60	13 - 44	28	1.1	616	24.3	3.5	7.7	50mm (2")	1/2"
E34MB1F2-74	490	22 - 74	17 - 55	28	1.1	616	24.3	3.5	7.7		
E34MB1F2-100	365	30 - 100	22 - 74	28	1.1	616	24.3	3.5	7.6		
E44MB1F2-66	885	20 - 66	15 - 49	31	1.2	625	21.3	4	8.9		
E44MB1F2-100	590	30 - 100	22 - 74	31	1.2	625	21.3	4	8.9		

MB1F1 Output Options

20D101603	1/2" SD X 3" Ext	20D101604	1/2" SD X 5" Ext	20D101605	1/2" SD X 7 5/16" Ext
20D101608	1/2" SD X 4" Ext	20D101606	1/2" SD X 6" Ext	20D101609	1/2" SD X 8" Ext
20R201401	25mm (1") Heavy Duty Retraction Spring			20D101607	1/2" SD X 11" Ext

MB1F2 Output Options

20D101602	1/2" SD Ball Ret	M6011	1/2" SD X 3" Ext
20R201402	50mm (2") Heavy Duty Retraction Spring	M4888	1/2" SD X 5" Ext



MODEL	Rated Speed RPM	Torque Range		"R" Side to Center		"L" Length		Weight		Standard Output	
		Nm	lb ft	mm	in	mm	in	kg	lb	Retraction	SD
E45MB2F1-160	345	48 - 160	35 - 118	32	1.25	621	24.5	5.6	12.4	25mm (1")	5/8"
E55MB2F1-127	715	38 - 127	28 - 94	32	1.25	649	25.6	6.2	13.7		
E55MB2F1-200	475	60 - 200	44 - 147	32	1.25	649	25.6	6.2	13.7		
E45MB2F2-160	345	48 - 160	35 - 118	32	1.25	672	26.5	5.6	12.4	50mm (2")	5/8"
E55MB2F2-127	715	38 - 127	28 - 94	32	1.25	680	27.6	6.2	13.7		
E55MB2F2-200	475	60 - 200	44 - 147	32	1.25	680	27.6	6.2	13.7		

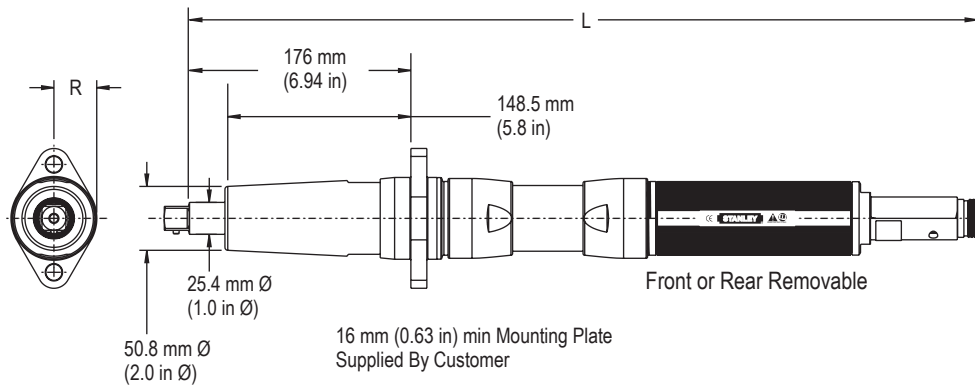
MB2F1 Output Options

20R201408	25mm Heavy Duty Spring	20R201410	50mm Heavy Duty Retraction Spring
20D102912	5/8" SD X 2" Ext	20D102907	5/8" SD Pin Ret X 1 1/8" Ext
20D102913	5/8" SD X 6" Ext	20D102903	5/8" SD Pin Ret X 4" Ext
		20D102909	5/8" SD Ball Ret X 12" Ext
		20D102905	5/8" SD Ball Ret X 4" Ext

E Retractable Motors

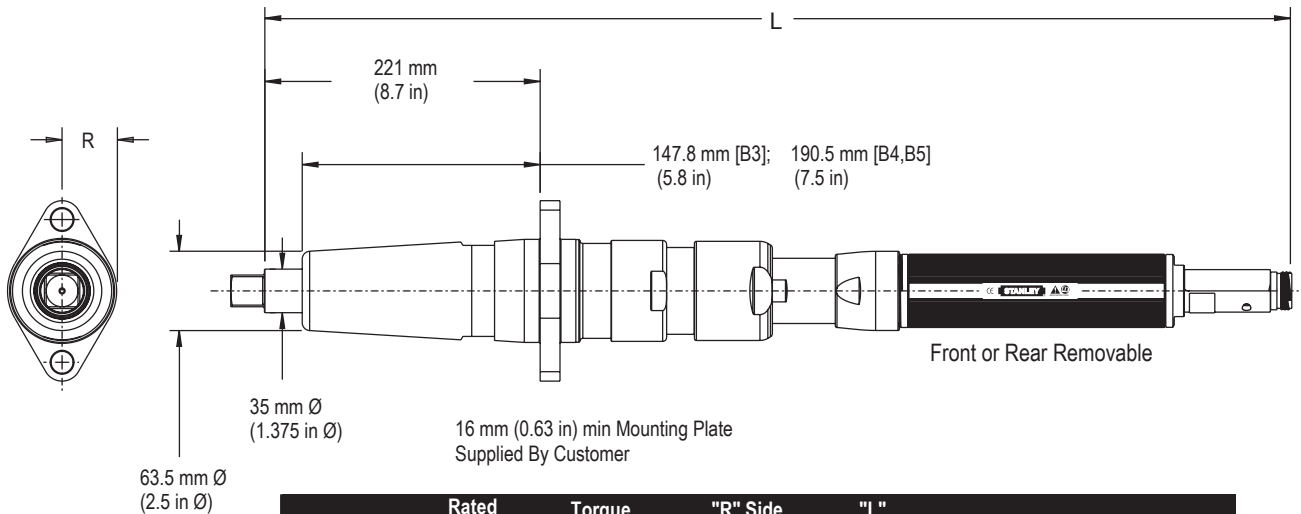
Straight Retractable Motors (75 to 1637 Nm)

Tool Configuration
 Select model and options.
 See p 51 for E Cables.
 See pp 14-18 for QA Controllers.



MODEL	Rated Speed RPM	Torque Range		"R" Side to Center		"L" Length		Weight		Standard Output	
		Nm	lb ft	mm	in	mm	in	kg	lb	Retraction	SD
E45MB3F1-250	220	75 - 250	55 - 184	34	1.34	628	24.7	7.1	15.6	25mm (1")	3/4"
E55MB3F1-250	380	75 - 250	55 - 184	34	1.34	656	25.8	7.7	17		
E55MB3F1-322	230	97 - 322	71 - 237	34	1.34	734	28.9	11	24.4		
E45MB3F2-250	220	75 - 250	55 - 184	34	1.34	707	27.9	7.3	16	50mm (2")	3/4"
E55MB3F2-250	380	75 - 250	55 - 184	34	1.34	735	29	7.9	17.5		
E55MB3F2-322	230	97 - 322	71 - 237	34	1.34	813	32	11.3	25		

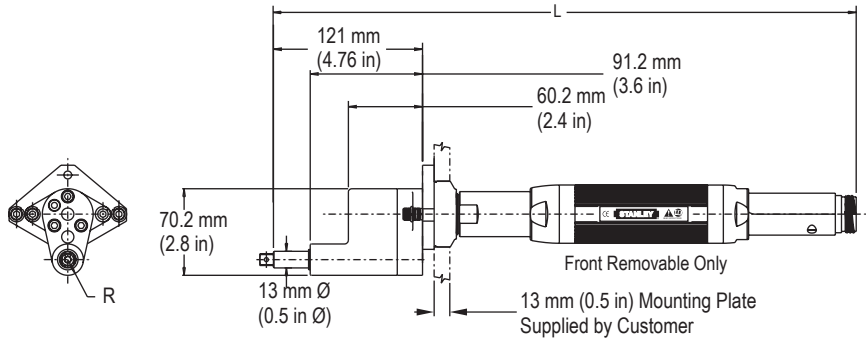
MB3F1 Output Options		MB3F2 Output Options	
20R201404	25mm Heavy Duty Retraction Spring	20R201406	50mm Heavy Duty Retraction Spring
20D102106	3/4" SD X 6 in Ext	20D102105	3/4" SD X 2 in Ext
20D102306	3/4" SD Retractable Ball Retainer (-322 model)		



MODEL	Rated Speed RPM	Torque Range		"R" Side to Center		"L" Length		Weight		Standard Output	
		Nm	lb ft	mm	in	mm	in	kg	lb	Retraction	SD
E55MB4F1-471	185	141 - 471	104 - 347	44	1.7	814	32	17.2	38	25mm (1")	1"
E55MB4F1-623	140	187 - 623	138 - 459	44	1.7	814	32	17.2	38		
E55MB5F1-1023	75	307 - 1023	226 - 754	48	1.9	859	33.8	18.3	40.2		
E55MB5F1-1637	45	491 - 1637	362 - 1207	48	1.9	891	35	19.2	42.2		
E55MB5F1-2005	35	602 - 2005	444 - 1479	48	1.9	891	35	19.2	42.2		
E55MB4F2-471	185	141 - 471	104 - 347	44	1.7	928	36.5	17.5	38.5	50mm (2")	1"
E55MB4F2-623	140	187 - 623	138 - 459	44	1.7	928	36.5	17.5	38.5		
E55MB5F2-1023	75	307 - 1023	226 - 754	48	1.9	964	37.9	18.6	41		
E55MB5F2-1637	45	491 - 1637	362 - 1207	48	1.9	996	39.1	19.5	43		

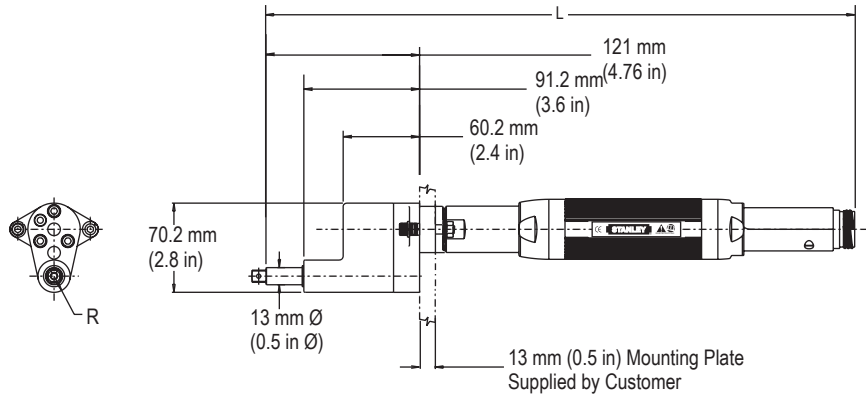
MB4/5F1 Output Options		MB4F1 Output Options		MB4/5F2 Output Options	
20D208802	1" SD x 4" Ext	20D103503	1" SD Ball Retainer	20R206300	Heavy Duty Spring (39 lb)
		20D121100	3/4" SD X 2" Ext	20D212501	1" SD x 2" Ext
				20D212500	1" SD x 350 mm Ext

Offset Retractable Motors (2 to 36 Nm)



Tool Configuration
 Select model and options.
 See p 51 for E Cables.
 See pp 14-18 for QA Controllers.

MODEL	Rated Speed RPM	Torque Range		"R" Side to Center		"L" Length		Weight		Standard Output	
		Nm	lb ft	mm	in	mm	in	kg	lb	Retraction	SD
E23MDF1-7	2245	2 - 7	105 - 5	13	0.5	457	18	2.4	5.2	19mm (3/4")	3/8"
E23MDF1-19	785	6 - 19	4 - 14	13	0.5	470	18.5	2.5	5.6		
E23MDF1-27	540	8 - 27	6 - 20	13	0.5	470	18.5	2.5	5.6		
E33MDF1-29	1125	9 - 29	6.5 - 21	13	0.5	496	19.5	2.7	5.9		
E33MDF1-36	890	11 - 36	8 - 27	13	0.5	496	19.5	2.7	5.9	50mm (2")	3/8"
E23MDF2-7	2245	2 - 7	105 - 5	13	0.5	534	21.0	2.5	5.5		
E23MDF2-19	785	6 - 19	4 - 14	13	0.5	549	21.6	2.6	5.9		
E23MDF2-27	540	8 - 27	6 - 20	13	0.5	549	21.6	2.6	5.9		
E33MDF2-29	1125	9 - 29	6.5 - 21	13	0.5	574	22.6	2.8	6.2		
E33MDF2-36	890	11 - 36	8 - 27	13	0.5	574	22.6	2.8	6.2		



MODEL	Rated Speed RPM	Torque Range		"R" Side to Center		"L" Length		Weight		Standard Output	
		Nm	lb ft	mm	in	mm	in	kg	lb	Retraction	SD
E23MDF1-7F	2245	2 - 7	1.5 - 5	13	0.5	457	18	2.4	5.2	19mm (3/4")	3/8"
E23MDF1-19F	785	6 - 19	4 - 14	13	0.5	470	18.5	2.5	5.6		
E23MDF1-27F	540	8 - 27	6 - 20	13	0.5	470	18.5	2.5	5.6		
E33MDF1-29F	1125	9 - 29	6.5 - 21	13	0.5	496	19.5	2.7	5.9		
E33MDF1-36F	890	11 - 36	8 - 27	13	0.5	496	19.5	2.7	5.9	50mm (2")	3/8"
E23MDF2-7F	2245	2 - 7	1.5 - 5	13	0.5	547	21.5	2.4	5.3		
E23MDF2-19F	785	6 - 19	4 - 14	13	0.5	560	22	2.5	5.6		
E23MDF2-27F	540	8 - 27	6 - 20	13	0.5	560	22	2.5	5.7		
E33MDF2-29F	1125	9 - 29	6.5 - 21	13	0.5	585	23	2.7	6.0		
E33MDF2-36F	890	11 - 36	8 - 27	13	0.5	585	23	2.7	6.0		

MDF1 Output Options

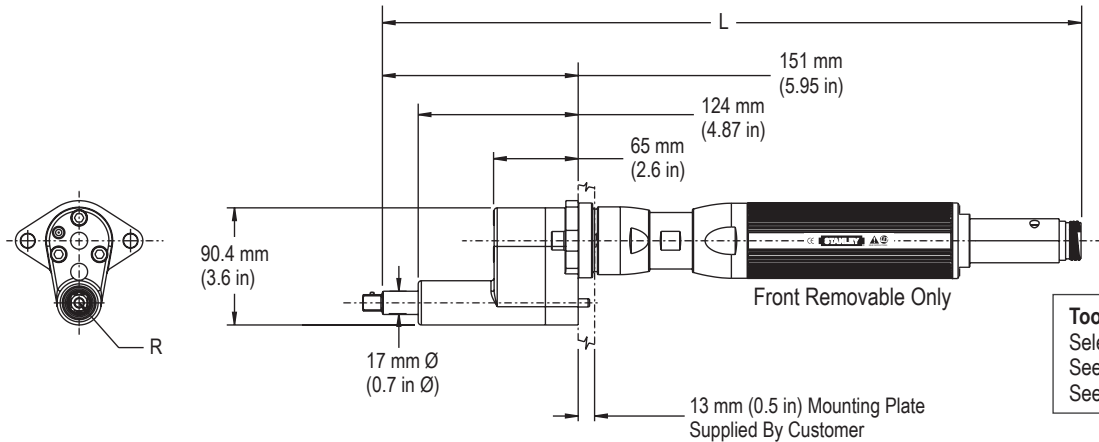
S3362	3/8" SD X 1 5/32" Ext	M3239	3/8" SD X 3" Ext	S3626	3/8" SD X 7 3/8" Ext
M3243	3/8" SD X 1.478" Ext	M3223	3/8" SD X 4" Ext	M3216	3/8" SD X 8" Ext
S3363	3/8" SD X 2 3/8" Ext	S3486	3/8" SD X 4-1/16" Ext	M3118	3/8"-24 Threaded
M3090	3/8" SD X 2" Ext	M3224	3/8" SD X 6" Ext	M3227	3/8"-24 X 3/4" Ext Threaded
M3184	19mm Heavy Duty Retraction Spring			20S104600	3/8" SD X 8" Ext Assy

MDF2 Output Options

20D209805	3/8" SD X 1" Ext	20D209801	3/8" SD X 3" Ext	M3306	50mm (2") Heavy Duty Retraction Spring
20D209807	3/8" SD X 2" Ext	M3283	3/8" SD X 6" Ext		

E Offset Retractable Motors

Offset Retractable Motors (16 to 180 Nm)



Tool Configuration
 Select model and options.
 See p 51 for E Cables.
 See pp 14-18 for QA Controllers.

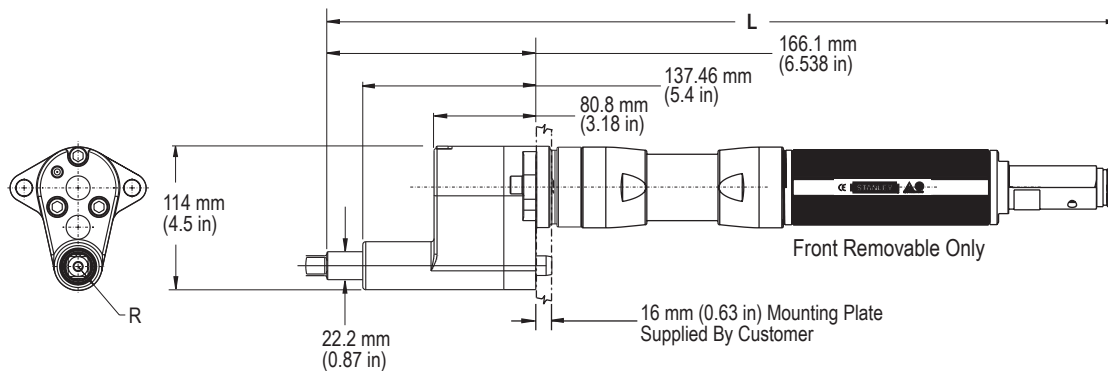
MODEL	Rated Speed	Torque Range		"R" Side to Center		"L" Length		Weight		Standard Output	
	RPM	Nm	lb ft	mm	in	mm	in	kg	lb	Retraction	SD
E34MD1F1-54	605	16 - 54	12 - 40	17	0.67	531	20.9	4.4	9.7	25mm (1")	1/2"
E34MD1F1-67	490	20 - 67	15 - 49	17	0.67	531	20.9	4.4	9.7		
E34MD1F1-90	365	27 - 90	20 - 66	17	0.67	531	20.9	4.4	9.7		
E44MD1F1-59	885	17.5 - 59	13 - 44	17	0.67	540	21.3	4.7	10.4		
E44MD1F1-90	590	27 - 90	20 - 66	17	0.67	540	21.3	4.7	10.4		
E34MD1F2-54	605	16 - 54	12 - 40	17	0.67	616	24.3	4.4	9.7	50mm (2")	1/2"
E34MD1F2-67	490	20 - 67	15 - 49	17	0.67	616	24.3	4.4	9.7		
E34MD1F2-90	365	27 - 90	20 - 66	17	0.67	616	24.3	4.4	9.7		
E44MD1F2-59	885	17.5 - 59	13 - 44	17	0.67	628	24.7	4.7	10.4		
E44MD1F2-90	590	27 - 90	20 - 66	17	0.67	628	24.7	4.7	10.4		

MD1F1 Output Options

20D101603	1/2" SD X 3" Ext	20D101606	1/2" SD X 6" Ext
20D101608	1/2" SD X 4" Ext	20D101605	1/2" SD X 7 5/16" Ext
20D101604	1/2" SD X 5" Ext	20D101609	1/2" SD X 8" Ext
20R201401	25mm (1") Heavy Duty Retraction Spring	20D101607	1/2" SD X 11" Ext

MD1F2 Output Options

20D101602	1/2" SD Ball Ret	M6011	1/2" SD X 3" Ext
20R201402	50mm (2") Heavy Duty Retraction Spring	M4888	1/2" SD X 5" Ext



MODEL	Rated Speed	Torque Range		"R" Side to Center		"L" Length		Weight		Standard Output	
	RPM	Nm	lb ft	mm	in	mm	in	kg	lb	Retraction	SD
E45MD2F1-144	345	43 - 144	32 - 106	19	0.75	605	23.8	8	17.5	25mm (1")	5/8"
E55MD2F1-114	715	34 - 114	25 - 84	19	0.75	633	24.9	8.3	18.2		
E55MD2F1-180	475	54 - 180	40 - 133	19	0.75	633	24.9	8.3	18.2		
E45MD2F2-144	345	43 - 144	32 - 106	19	0.75	694	27.2	8.2	18	'50mm (2")	5/8"
E55MD2F2-114	715	34 - 114	25 - 84	19	0.75	712	28	8.5	18.7		
E55MD2F2-180	475	54 - 180	40 - 133	19	0.75	712	28	8.5	18.7		

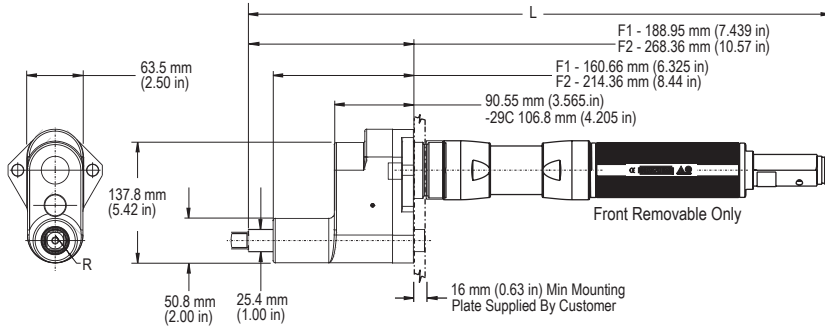
MB2F1 Output Options

20R201408 | 25mm Heavy Duty Retraction Spring

MB2F2 Output Options

20R201410 | 50mm Heavy Duty Retraction Spring
 20D102904 | 5/8" SD Retractable Ball Retainer

Offset Retractable Motors (43 to 290 Nm)



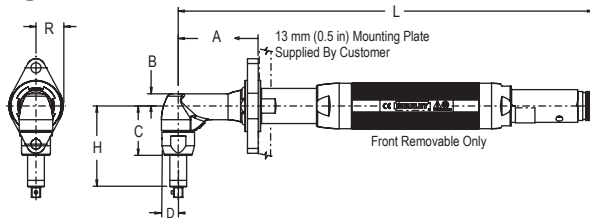
MODEL	Rated Speed RPM	Torque Range		"R" Side to Center		"L" Length		Weight		Standard Output	
		Nm	lb ft	mm	in	mm	in	kg	lb	Retraction	SD
E45MD3F1-144	345	43 - 144	32 - 106	32	1.25	628	24.7	10.2	22.5	25mm (1")	3/4"
E45MD3F1-225	220	68 - 225	50 - 166	32	1.25	628	24.7	10.2	22.5		
E55MD3F1-180	475	54 - 180	40 - 133	32	1.25	656	25.8	10.5	23.2		
E55MD3F1-225	380	68 - 225	50 - 166	32	1.25	656	25.8	10.5	23.2		
E55MD3F1-290	380	87 - 290	64 - 214	32	1.25	710	28	11.4	25.1		
E45MD3F2-144	345	43 - 144	32 - 106	32	1.25	707	27.9	10.5	23.2	50mm (2")	3/4"
E45MD3F2-225	220	68 - 225	50 - 166	32	1.25	707	27.9	10.5	23.2		
E55MD3F2-180	475	54 - 180	40 - 133	32	1.25	735	29	10.8	23.8		
E55MD3F2-225	380	68 - 225	50 - 166	32	1.25	735	29	10.8	23.8		
E55MD3F2-290	380	87 - 290	64 - 214	32	1.25	790	31.1	11.6	25.5		

Tool Configuration

Select model and options.
See p 51 for E Cables.
See pp 14-18 for QA Controllers.

MB3F1 Output Options 20R201404 | 25mm Heavy Duty Retraction Spring **MB3F2 Output Options** 20R201406 | 50mm Heavy Duty Retraction Spring

Angle Retractable Motors (14 to 120 Nm)



Additional Head Dimensions

Head	Units	A	B	C	D
E33MA18	mm	83	13	51	18
	in	3.3	0.5	2	0.7
E33MA19	mm	86	16	103	19
	in	3.4	0.6	4	0.8
E34MA19	mm	74	16	103	19
E44MA19	in	2.9	0.6	4	0.8
E34MA22	mm	82	16	130	22
E44MA22	in	3.2	0.6	5.1	0.9

MODEL	Rated Speed RPM	Torque Range		"R" Side to Center		"H" Head Height		"L" Length		Weight		Standard Output	
		Nm	lb ft	mm	in	mm	in	mm	in	kg	lb	Retraction	SD
E33MA18F1-46	750	14 - 46	10 - 34	28	1.1	97	3.8	433	17	2.5	5.6	16mm (5/8")	3/8"
E33MA19F1-60	570	18 - 60	13 - 44	28	1.1	146.5	5.8	440	17.3	2.7	6		
E34MA19F1-70	435	21 - 70	15 - 51.5	28	1.1	146.5	5.8	470	18.5	3.4	7.6	25mm (1")	1/2"
E44MA19F1-70	635	21 - 70	15 - 51.5	28	1.1	146.5	5.8	479	18.9	3.8	8		
E34MA22F1-115	295	35 - 115	27 - 85	28	1.1	114	4.5	473	18.6	3.7	8.2		
E44MA22F1-120	475	35 - 120	26 - 89	28	1.1	114	4.5	482	19	4.1	9	50mm (2")	1/2"
E33MA18F2-46	750	14 - 46	10 - 34	28	1.1	138	5.4	433	17	2.6	5.7		
E33MA19F2-60	570	18 - 60	13 - 44	28	1.1	194	7.6	440	17.3	2.8	6.1		
E34MA19F2-70	435	21 - 70	15 - 51.5	28	1.1	194	7.6	470	18.5	3.5	7.7		
E44MA19F2-70	635	21 - 70	15 - 51.5	28	1.1	194	7.6	479	18.9	3.8	8.2		
E34MA22F2-115	295	35 - 115	27 - 85	28	1.1	146	5.8	473	18.6	3.8	8.2	19	4.1
E44MA22F2-120	475	35 - 120	26 - 89	28	1.1	146	5.8	482	19	4.1	9		

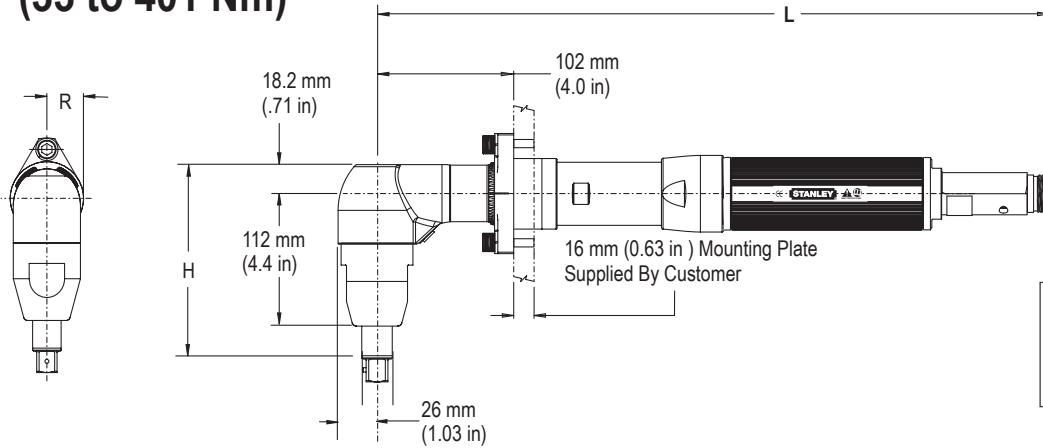
MA18F1 Output Options (Contact Stanley for 3/8" SD Extended Spindle Options) **MA22F1 Output Options**
 20D104604 | 1/2" SD 20D104603 | 3/8" SD X 2" Ext 20D117700 | 1/2 X 2-5/8" Ext M4466 | 1/2" SD X 8" Ext
 20D104605 | 1/2" SD X 2" Ext M4886 | Heavy Duty Retraction Spring M4306 | 1/2" SD X 2" Ext M4800 | 25mm Heavy Duty Spring

MA18F2 Output Options
 20D111002 | 3/8" SD X 1/2" Ext 20D111005 | 3/8" SD X 2" Ext 20D111008 | 3/8" SD X 4" Ext
 20D111003 | 3/8" SD X 1" Ext 20D111006 | 3/8" SD X 55mm Ext 20D111004 | 3/8" SD X 6" Ext
 20R201421 | 50mm Heavy Duty Retraction Spring 20D111001 | 3/8" SD X 7" Ext

MA19F1 Output Options **MA19F2 Output Options**
 20R201407 | 25mm Heavy Duty Retraction Spring 20R201421 | 50mm Heavy Duty Retraction Spring
 20D115901 | 1/2" SD Retractable X 2" Ext 20D112301 | 1/2" SD Retractable X 4" Ext

E Angle Retractable Motors

Angle Retractable Motors (33 to 401 Nm)



Tool Configuration
Select model and options.
See p 51 for E Cables.
See pp 14-18 for QA Controllers.

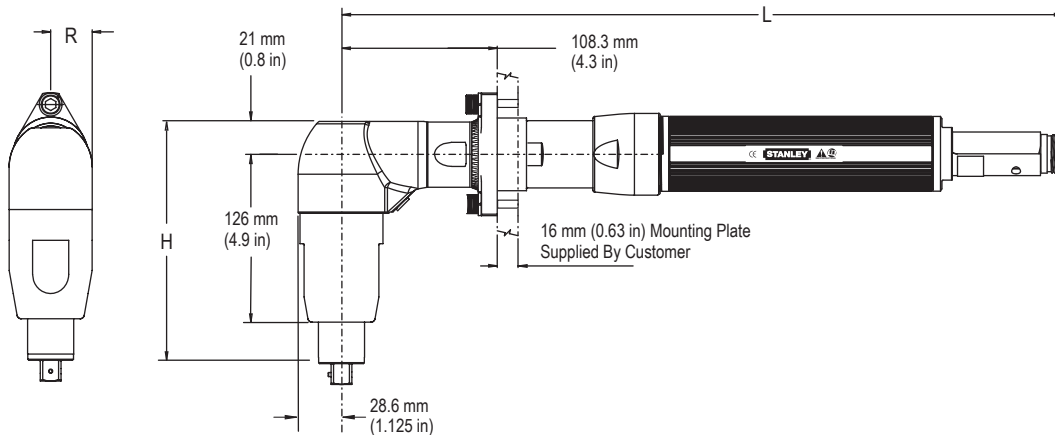
MODEL	Rated Speed	Torque Range		"R" Side to Center		"H" Head Height		"L" Length		Weight		Standard Output	
	RPM	Nm	lb ft	mm	in	mm	in	mm	in	kg	lb	Retraction	SD
E45MA26F1-150	330	45 - 150	33 - 110	34	1.34	166	6.5	525	20.7	5.7	12.5	25mm (1")	3/4"
E45MA26F1-201	265	60 - 201	49 - 148	34	1.34	166	6.5	525	20.7	5.7	12.5		
E55MA26F1-100	880	33 - 100	22 - 74	34	1.34	166	6.5	576	22.7	6.3	13.8		
E55MA26F1-167	510	50 - 167	37 - 123	34	1.34	166	6.5	576	22.7	6.3	13.8		
E55MA26F1-221	385	67 - 221	49 - 163	34	1.34	166	6.5	576	22.7	6.3	13.8		
E45MA26F2-150	330	45 - 150	33 - 110	34	1.34	225	8.9	525	20.7	5.8	12.8	50mm (2")	3/4"
E45MA26F2-201	265	60 - 201	49 - 148	34	1.34	225	8.9	525	20.7	5.8	12.8		
E55MA26F2-100	880	33 - 100	22 - 74	34	1.34	225	8.9	576	22.7	6.4	14.1		
E55MA26F2-167	510	50 - 167	37 - 123	34	1.34	225	8.9	576	22.7	6.4	14.1		
E55MA26F2-221	385	67 - 221	49 - 163	34	1.34	225	8.9	576	22.7	6.4	14.1		

MA26F1 Output Options

20D100402 | 5/8" SD
20D105701 | 5/8" SD X 2 1/2 Ext
20R201417 | 25mm Heavy Duty Retraction Spring
20D100403 | 1/2" SD (100 Nm max)

MA26F2 Output Options

20D100405 | 5/8" SD
20D100406 | 1/2" SD (100 Nm max)
20R201416 | 50mm Heavy Duty Retraction Spring



MODEL	Rated Speed	Torque Range		"R" Side to Center		"H" Head Height		"L" Length		Weight		Standard Output	
	RPM	Nm	lb ft	mm	in	mm	in	mm	in	kg	lb	Retraction	SD
E55MA32F1-337	255	101 - 337	75 - 248	34	1.34	178	7	582	22.9	7.6	16.8	25mm (1")	3/4"
E55MA32F1-401	205	120 - 401	89 - 295	34	1.34	178	7	582	22.9	7.6	16.8		
E55MA32F2-337	255	101 - 337	75 - 248	34	1.34	268	10.6	582	22.9	7.752	17.136	50mm (2")	3/4"
E55MA32F2-401	205	120 - 401	89 - 295	34	1.34	268	10.6	582	22.9	7.752	17.136		

MA32F1 Output Options

M4740 | 3/4" SD X 4" Ext Retractable
20D114800 | 3/4" SD X 2 1/2 Ext Retractable
M4600 | 5/8" SD Retractable
M4610 | 5/8" SD X 4" Ext Retractable

Cables for E Tools

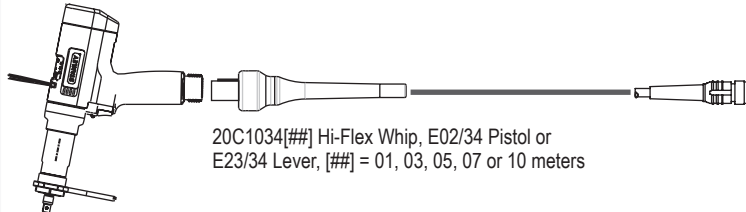
Cable Selection
 Select a tool whip for the tool model.
 Select an extension for the selected whip number.
 Note: All High Flex cables have an 8 cm (3 in) minimum bend radius.

Fits
 E12
 Lever Tools



20C1046[##] High Flex E1 Lever Whip,
 *##] = 01, 03, 05, 07 or 10 meters

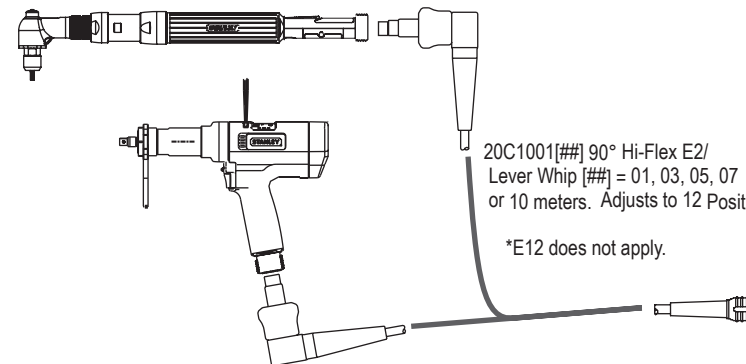
Fits E23-34
 Lever Tools



20C1034[##] Hi-Flex Whip, E02/34 Pistol or
 E23/34 Lever, [##] = 01, 03, 05, 07 or 10 meters

E02-34 Pistols
 (Bottom Exit)

Lightweight
 E3 Whip



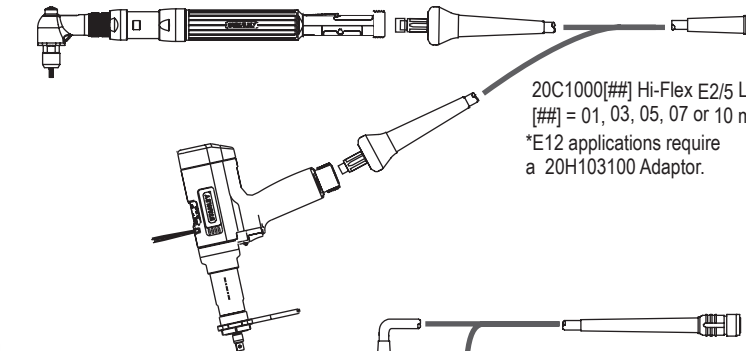
20C1001[##] 90° Hi-Flex E2/
 Lever Whip [##] = 01, 03, 05, 07
 or 10 meters. Adjusts to 12 Positions @ 30°

*E12 does not apply.

Fits
 E23-55, *E12
 Lever Tools

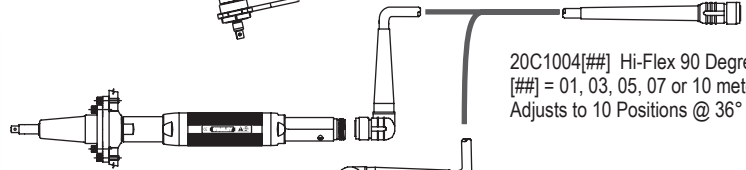
E02-34 Pistols
 (Bottom Exit)

Standard
 E5 Whip



20C1000[##] Hi-Flex E2/5 Lever Whip,
 [##] = 01, 03, 05, 07 or 10 meters
 *E12 applications require
 a 20H103100 Adaptor.

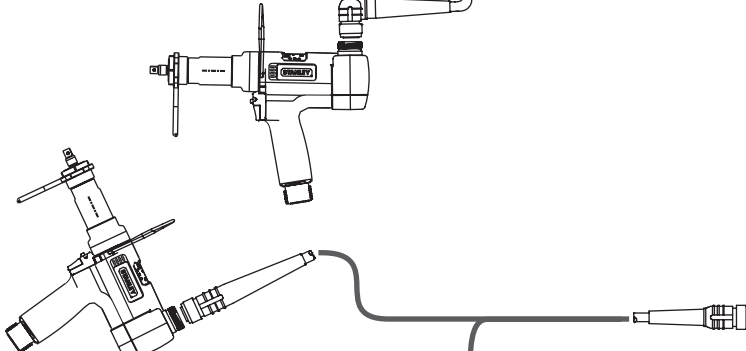
Fits
 E02-34 Pistol
 (Top Exit)



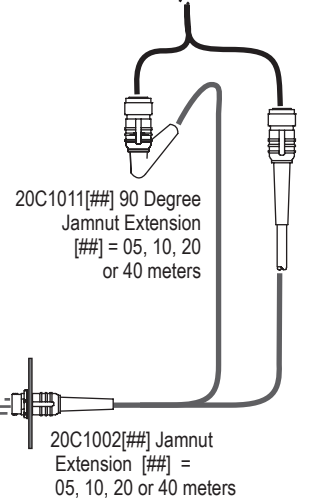
20C1004[##] Hi-Flex 90 Degree Whip
 [##] = 01, 03, 05, 07 or 10 meters @ Tool
 Adjusts to 10 Positions @ 36°

E23-55
 Moving
 Fixtured Motors

Standard
 E5 Whip



20C1003[##] Hi-Flex Whip
 [##] = 01, 03, 05, 07 or 10 meters

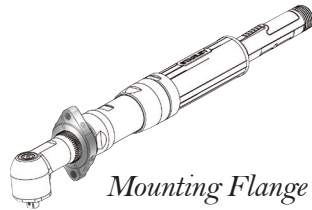
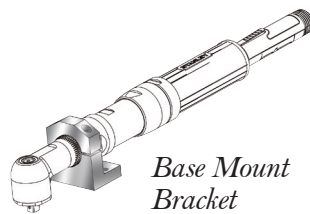
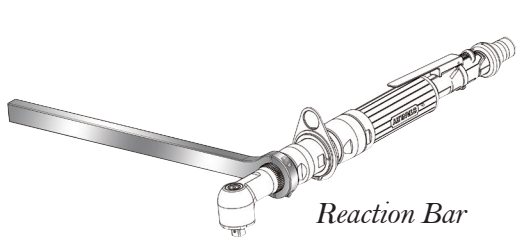


20C1011[##] 90 Degree
 Jamnut Extension
 [##] = 05, 10, 20
 or 40 meters

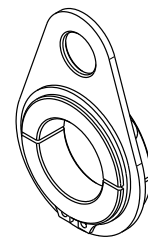
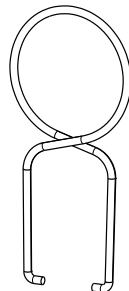
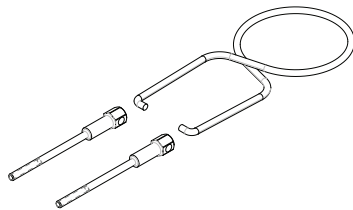
20C1002[##] Jamnut
 Extension [##] =
 05, 10, 20 or 40 meters

NOTE:
 Jamnut cables
 have connectors
 that can be fixed to bulkheads.

Reaction Bar/ Bail Matrix



Reaction Devices Listed by Tool Models	E02LB E12LB E12PB E23PB	E23LB E33LB E33MB E33PB	E33LA19 E34LA19 E34LA22A/H22A E34LC/EB34LT E44LA19 E44LA22A/H22A E44LC/EB44LT E34LB1 E34MB1 E44LB1 E44MB1 E34PB1 E44PB1	E45LA26/H26 E45LA32/H32 E55LA26/H26 E55LA32/H32 E45LB2 E45MB2 E55LB2 E55MB2	E55LB3 E55MB3	E55LB4 E55MB4	E55LB5 E55MB5
Base Mount Bracket		A8606	20K100500	20K100600	M4329	F4201	
Mounting Flange		20K101000	20K100300	20K100700	H1140	20K101100	20K100900
Reaction Bar - Steel	20K100104	20K100100	20K100000	20K100200	B4487	F4192	
Reaction Bar - Heavy Duty				20K100202			
Reaction Bar 17" - Aluminum	20K100103	F3698					
Reaction Bar 12" - Aluminum	20K101601						
Sliding Drive Reaction Bar						F4857	



Bail Devices Listed by Tool Models	E02LA E02LB E12LA E12LB	E23P	E33P	E22L E33L	E34P E44P	E34L E44L	E45L E55L
Swivel Bail	20K101402		20K101400	20K101400	20K200000	20K200000	20K200100
Vertical Wire Bail	A3061	A3061	A3061	A3061	A3061	A3061	
Vertical Bail Mount Kit			20K200007		20K200007		

Mechanical Products Limited Warranty

StanleyBlack&Decker, Inc. ("Stanley") warrants its Assembly Technologies mechanical products to the original purchaser to be free from deficiencies in material or workmanship for the useful life of the product.

Under this lifetime limited warranty Stanley will, at its discretion, repair or replace any product which, upon inspection, is acknowledged by Stanley to be defective.

This limited lifetime warranty shall apply to products which have been used under normal operating conditions for their intended use and shall not apply to products which have been subjected to: abnormal wear and tear, abuse, misuse, improper maintenance, negligence, continued use after partial failure, accident, alterations or repairs with non-genuine Stanley replacement parts.

Electronic Products Limited Warranty

Stanley warrants its Assembly Technologies electronic products to the original purchaser to be free from deficiencies in material or workmanship for a period of one year after the date of shipment.

Under this limited warranty Stanley will, at its discretion, repair or replace any product which, upon inspection, is acknowledged by Stanley to be defective.

This warranty shall apply to products which have been used under normal operating conditions for their intended use and shall not apply to products which have been subjected to: abnormal wear and tear, neglect, component degradation, improper handling, overload, abuse, misuse, improper maintenance, use with improper accessories, or where alterations have been made.

Software Products Limited Warranty

Stanley warrants its Assembly Technologies software products to the original purchaser to be free from deficiencies in material or workmanship for a period of one year after the date of shipment.

Under this limited warranty Stanley will, at its discretion, make available replacement software or an upgrade for any product which, upon inspection, is acknowledged by Stanley to be defective. Installation of the software shall be the responsibility of the requestor.

This warranty shall apply to products which have been used with specified, compatible hardware under normal operating conditions for their intended use and shall not apply to products which have been: modified, misused, improperly handled, improperly maintained, or used with non-compatible hardware or accessories.

Oem Products Limited Warranty

Some Stanley Assembly Technologies custom engineered systems include components manufactured by others. The limited warranties of each individual manufacturer shall apply to these components and Stanley makes no representation or warranty of any kind, expressed or implied, with respect to such components.

General Terms

This limited warranty gives you specific legal rights and is in lieu of all other warranties, expressed or implied, including the implied warranties of merchantability and fitness for a particular purpose. Some states and countries do not allow limitations on implied warranties, so the above may not apply to you. You may also have other rights which vary by state or country.

Stanley shall not be responsible for incidental or consequential damages or the inability to use its products for any purpose whatsoever. Stanley's maximum liability shall not in any case exceed the contract price for the products claimed to be defective. Some states and countries do not allow the exclusion or limitation of incidental or consequential damages, so this specific limitation or exclusion may not apply to you.

Specification Changes

Stanley retains the right to discontinue and/or change specifications of any Assembly Technologies products without responsibility for incorporating changes in products already sold.

Warranty Claims

To apply for warranty consideration, the original purchaser should take the following action:

- a) Contact the Stanley Assembly Technologies customer service department to obtain a "Return Authorization Number" and "Warranty Claim Report Form."
- b) Package the product including proof of purchase and the completed warranty claim form.
- c) Note the Return Authorization Number on the exterior of the package and return freight to:

**Stanley Assembly Technologies
Central Repair Facility
5335 Avion Park Drive
Cleveland, Ohio 44143-2328**

In the event that a product is repaired or replaced under the terms of the warranty, the warranty period of the repaired or replacement product shall be limited to the remaining portion of the original warranty period.

**STANLEY**[®]**Assembly Technologies**

A Division of

**STANLEY**[®]

Engineered Fastening

GLOBAL LOCATIONS

World Headquarters

STANLEY ASSEMBLY TECHNOLOGIES

5335 Avion Park Drive
Cleveland, Ohio 44143-2328, USA
Tel: +1.440.461.5500 Fax: +1.440.461.5592
Email: SATinfo@sbdinc.com

Sales and Support Americas/Asia-Pacific

EMHART TEKNOLOGIES**STANLEY ASSEMBLY TECHNOLOGIES**

49201 Gratiot
Chesterfield, MI 48051, USA
Tel: +1.586.949.0440 ext. 720 Fax: +1.586.949.0443 Sales: 877.709.8006 Service: 877.787.7830
Email: SATinfo@sbdinc.com

France

STANLEY ASSEMBLY TECHNOLOGIES FRANCE

Outils Portatifs et Systemes d'Assemblage
Zone Imoparc bat Loire 4, 78190 Trappes, France
Tel: +33 (1) 3050 9100 Fax: +33 (1) 3051 0708
Email: Vahid.Amirzadeh@sbdinc.com

Germany

EMHART TEKNOLOGIES - TUCKER**STANLEY BLACK & DECKER, INC.****TUCKER GMBH**

Max-Eyth-Str. 1, 35394 Gießen, Germany
Tel: +49 (0) 641 405 - 728 Fax: +49 (0) 641 405 - 300
Email: Vahid.Amirzadeh@sbdinc.com

Italy

STANLEYBLACK&DECKER ITALIA S.R.L.

c/o Energipark – Building 03/Sud
Via Energy Park, 6 – 20871 Vimercate (MB) Italy
Tel: +39 (039) 9590.200 Fax: +39 (039) 9590.318
Email: Gianantonio.Meneghetti@sbdinc.com

Spain

EMHART TEKNOLOGIES - TUCKER GMBH

Carretera M300 km.29,700
28802 Alcalá de Henares (Madrid), Spain
Tel: +34 (91) 877-0380
Email: JaumeSune.Gracia@sbdinc.com

China

SHANGHAI EMHART FASTENING SYSTEM CO. LTD.

BUILDING NO. 9, 615 FENGDENG ROAD
MALU TOWN, JIADING DISTRICT
Shanghai 201801, China
Tel: +86 21.39155588-5511 Fax: +86 21.39155555
Email: Mengshen.Gu@sbdinc.com

Japan

NIPPON POP RIVETS & FASTENERS LTD.

Hosoda, Noyori-cho, Toyohashi-shi
Aiti (Aichi) 441-8540, Japan
Tel: +81 0532.25.1126 Fax: +81 0532.25.1120
Email: Haruhiko.Suzuki@sbdinc.com

India

EMHART TEKNOLOGIES (INDIA) PRIVATE LTD.

6th Floor, Apex Towers, No 54, 2nd Main Road, R A Puram
CHENNAI – 600 028, India
Tel: +91 44 4343 7100 Fax: +91 44 4306 0768
Email: Vinit.Gupta@sbdinc.com