

Model	Description
VSX..P	2-way valve DN 3/4"; Kvs m ³ /h 4 or 6
VMX..P	3-way valve DN 3/4"; Kvs m ³ /h 4 or 6 (4 or 2,5 angle way)
VTX..P	Three-way valves with built-in by-pass (4 ports) DN 3/4"; Kvs m ³ /h 4 or 6 (4 or 2,5 angle way)

N.B.: suffix P means flat tight.

APPLICATION AND USE

Micra® valves are employed for the control of chilled and heated water in heating and air-conditioning plants; they are motorized by the MVX22R/42R/52 and MCA electro-thermal actuators.

Special applications

Thermal insulation for cool water applications is available on request. Moreover, it is possible to order a kit for fan coil installation, which can be customized according to the various vendors' requirements. For further information, please contact our Technical Support.

MANUFACTURING CHARACTERISTICS

Brass valve body. Brass plug with EPDM double OR. Stainless steel stem. Stem packing with EPDM double OR. All models are normally closed, i.e. the action of the valve spring makes the plug move to the upper seat, even with disassembled actuator.

TECHNICAL CHARACTERISTICS

Operating pressure:	1600kPa
Stroke:	2,5mm
Allowed fluids:	Water, water+glycol 30% max
Temperature:	5T95°C
Leakage:	0 (tight close-off on direct and angle way)

OPERATION

Micra® are valves with tight close-off on both direct and angle way. A soft tight between seat and plug ensures high performances; the action of the spring located on the valve, ensures tight close-off in compliance with the values above, even with disassembled actuator.

Micra® valves can be motorized through MVX and MCA actuators (on/off or proportional 0-10V, 24 or 230V depending on the models; MCA can also be equipped with an auxiliary microswitch); the valve/actuator assembly is in any case very easy. For further information about actuators please refer to the following data sheets: MVX_DBL418e and MCA_DBL400e.



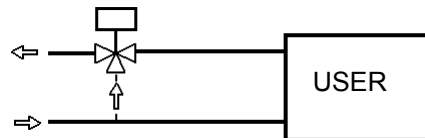
INSTALLATION AND MOUNTING

Before mounting, make sure pipes are clean, free from weld slag, perfectly aligned with the valve body and not subjected to vibrations.

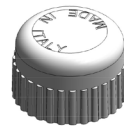
The declared protection degree (IP44) is granted if the valve is mounted with the actuator upwards. The actuator is able to operate in any mounting position, but it is advisable not to install it downwards. Three-way valves should be preferably used as mixing valves.

N.B.: Micra® if coupled with unpowered MVX actuator are normally closed; if coupled with unpowered MCA actuator are normally open.

APPLICATION DIAGRAMS for valves mounted as mixing



ACCESSORIES



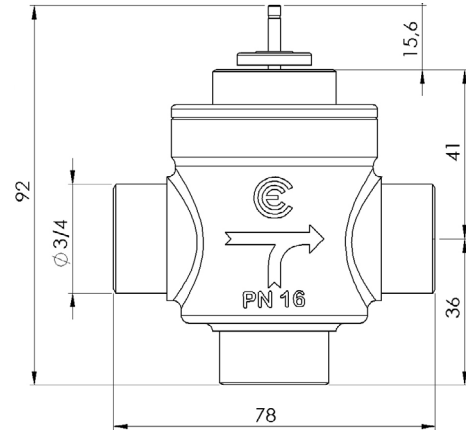
VXC - Manual Override



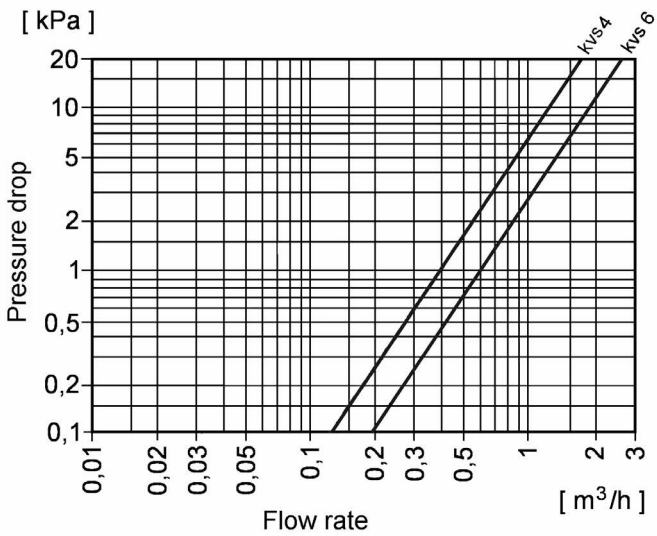
AVAILABLE MODELS

Valve models	Kvs direct way [m ³ /h]	Kvs angle way [m ³ /h]	close-off [bar]	Connections (*)
2-way valves				
VSX26P	6	--	1,5	G3/4M
VSX24P	4			
3-way valves				
VMX26P	6	4	1 (0,4 angle way)	G3/4M
VMX24P	4	2,5		
3-way valves with built-in by-pass (4 ports)				
VTX26P	6	4	1 (0,4 angle way)	G3/4M
VTX24P	4	2,5		

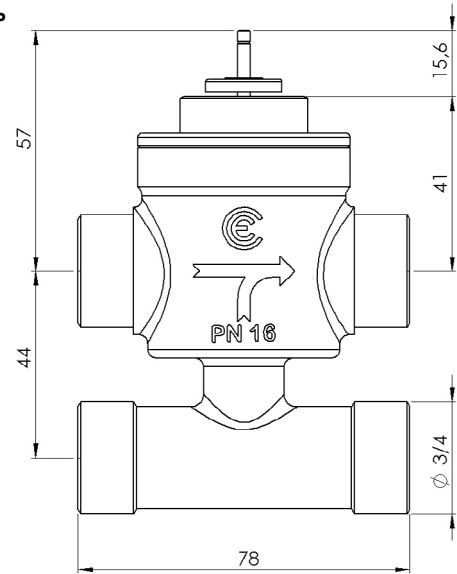
VMX..P



PRESSURE DROP DIAGRAM

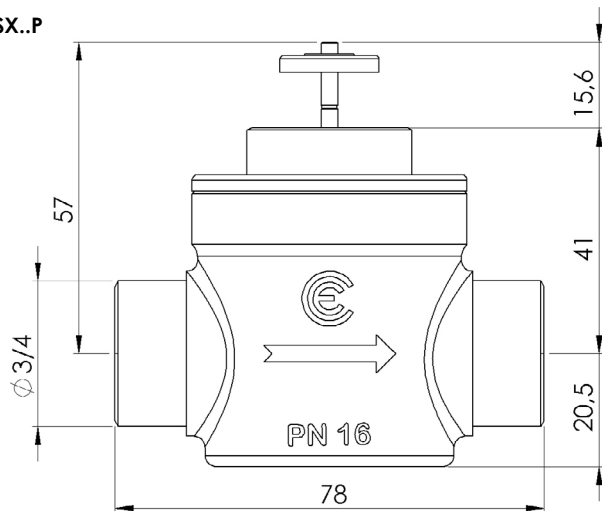


VTX..P

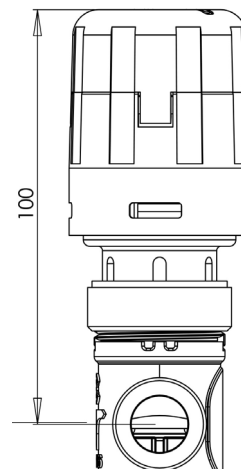


DIMENSIONS [mm]

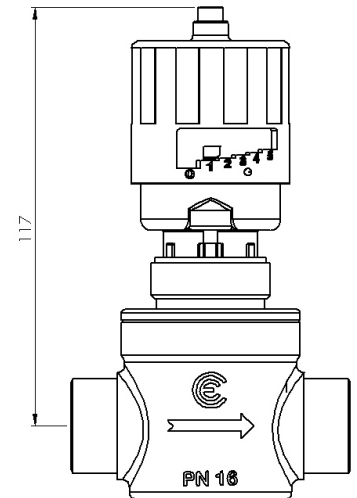
VSX..P



V.X..P + MVX52



V.X..P + MCA



The performances stated in this sheet can be modified without any prior notice