



**PATTON & COOKE CO.**



**5 or 8 kV COUPLERS**

**PK8 - 5 or 8 kV 250 AMP MALE COUPLERS  
RK8 - 5 or 8 kV 250 AMP FEMALE COUPLERS  
JK8 - 5 or 8 kV 250 AMP JUNCTION BOX**

**PL5 - 5 kV 400 AMP MALE COUPLERS  
RL5 - 5 kV 400 AMP FEMALE COUPLERS  
JL5 - 5 kV 400 AMP JUNCTION BOX**

**INDEX**

<u>PAGE</u>	<u>DESCRIPTION</u>
P/RK/L - 1	COUPLER CATALOG NUMBERS
P/RKL - 2	JUNCTION BOX CATALOG NUMBERS
P/RK/L - 3	OPTIONS
P/RK/L - 4	CATALOG NUMBER COMBINATION GUIDE
P/RK/L - 5	WEIGHTS & DIMENSIONS

**C80C - 5 or 8 kV 250 AMP MALE & FEMALE COUPLERS AND JUNCTION BOXES  
C80D - 5 or 8 kV 400 AMP MALE & FEMALE COUPLERS AND JUNCTION BOXES**

**INDEX**

<u>PAGE</u>	<u>DESCRIPTION</u>
C80 - 6	COUPLER CATALOG NUMBERS
C80 - 7	CATALOG NUMBER SUFFIXES AND ENTRANCE FITTING GASKET KITS
C80 - 8	JUNCTION BOXES
C80 - 9	OPTIONS
C80 - 10	CATALOG NUMBER COMBINATION GUIDE
C80 - 11	ACCESSORIES
C80 - 13	WEIGHTS & DIMENSIONS



**PATTON & COOKE CO.**  
**5 or 8 kV COUPLERS**  
**P/R K/L SERIES**



**250 & 400 AMP COUPLER CATALOG NUMBERS**

250 Amp Contact Structure: 3 Power + 1 Ground + 1 Pilot  
 400 Amp Contact Structure: 3 Power + 2 Ground + 1 Pilot

Coupler Rating (A)	Voltage Class (kV)	Male/Female	Mounting Options	Patton & Cooke Catalog Number
250	5 or 8	M	Cable Mount	<b>PK8S-M <u>x</u> <u>y</u></b>
		F		<b>RK8S-F <u>x</u> <u>y</u></b>
		M	Equipment Mount	<b>PK8F-M <u>x</u></b>
		F		<b>RK8F-F <u>x</u></b>
400	5	M	Cable Mount	<b>PL5S-M <u>x</u> <u>y</u></b>
		F		<b>RL5S-F <u>x</u> <u>y</u></b>
		M	Equipment Mount	<b>PL5F-M <u>x</u></b>
		F		<b>RL5F-F <u>x</u></b>

**TABLE A: 250 and 400 AMP COUPLER CATALOG NUMBER SUFFIXES - x & y**

Max. Cable Size (mm <sup>2</sup> )	Max. Cable Size (AWG)	<u>x</u> - Cat. No. Suffix	Outside Cable Diameter		<u>y</u> - Cat. No. Suffix
			(mm)	(in)	
21	#4	<b>11</b>	20.8-47.5	0.82-1.87	<b>A</b>
27	#3	<b>12</b>	47.8-60.2	1.88-2.37	<b>B</b>
34	#2	<b>13</b>			
42	#1	<b>14</b>			
54	1/0	<b>15</b>			
67	2/0	<b>16</b>	60.4-69.9	2.38-2.75	<b>C</b>
85	3/0	<b>17</b>			
107	4/0	<b>18</b>			
127	250 MCM	<b>19</b>	70.0-90.0	2.76-3.54	<b>D</b>
178	350 MCM	<b>21</b>			

**ORDERING PROCEDURE:**

1. Determine the following:
  - a. Voltage class, 5 or 8 kV.
  - b. Current rating, 250 or 400 Amp.
  - c. Male (plug) or female (receptacle) contacts.
  - d. Cable or equipment mounting.
2. Select catalog number of coupler.
3. Determine the conductor size and substitute appropriate code from Table A for "x" in catalog number.
4. If cable mounting, determine outside diameter of cable and substitute code from Table A for "y". Provide outside cable diameter on order.

**\*When requesting for quote or help with completing a part number, please state EXACT cable outside diameter, providing cable ranges stated above will not be accepted\***

Example: male plug, 8 kV, 250 Amp, cable mount, #2 cable,  
 outside cable diameter 2.125"  
 Catalog number PK8S-M13B

Available options refer to Table B page 3. Available accessories refer to page 11.

All couplers and junction boxes are supplied with cover, attachment chain and provision for padlocking two mated couplers and/or covers. Termination kits and potting compound can be purchased separately, refer to page 11. Potting compound is also available as an option. Refer to Table C on page 3.

Standard terminations for phase, pilot and ground conductors are designed for soldering. Solderless stems are available as a no charge option, see page 3.

Potting compound is recommended for 5 and 8 kV couplers and junction boxes exposed to extreme changes in temperature and humidity. Potting compound can be purchased separately refer to page 11.



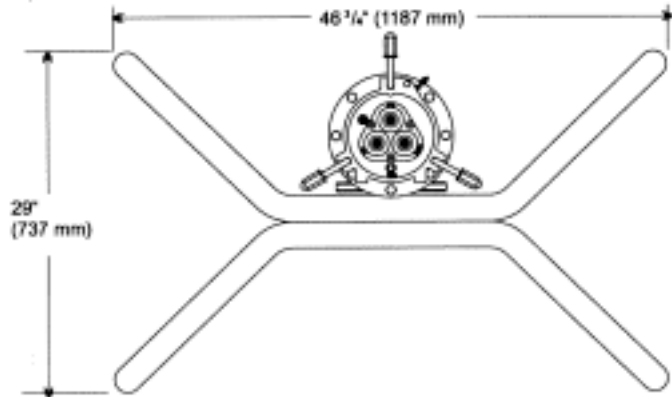
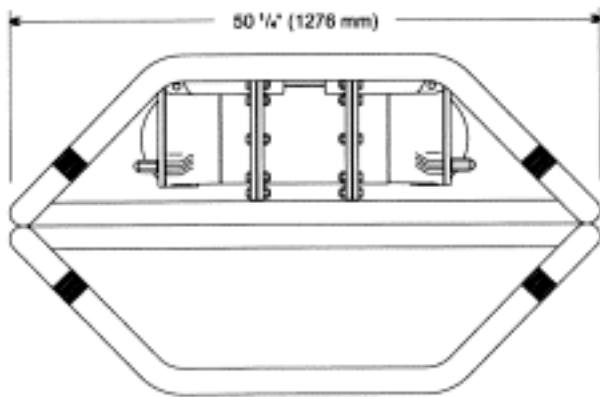
**PATTON & COOKE CO.**

**5 or 8 kV COUPLERS  
P/R K/L SERIES**



**250 & 400 AMP JUNCTION BOX CATALOG NUMBERS**

Coupler Rating (A)	Voltage Class (kV)	Description	Mounting Options	Patton & Cooke Catalog Number
250	5 or 8	Two female receptacles with phase transposing compartment. To join cables equipped with male plugs on both ends.	Less Skid	<b>JK8K-F-1</b>
			Skid Mount	<b>JK8K-F</b>
400	5		Less Skid	<b>JL5K-F-1</b>
			Skid Mount	<b>JL5K-F</b>



**SKID MOUNTED JUNCTION BOX**

Available options refer to Table B page 3. Available accessories refer to page 11.

All couplers and junction boxes are supplied with cover, attachment chain and provision for padlocking two mated couplers and/or covers. Termination kits and potting compound can be purchased separately, refer to page 11. Potting compound is also available as an option. Refer to table C on page 3.

Standard terminations for phase, pilot and ground conductors are designed for soldering. Solderless stems are available as a no charge option, see page 3.

Potting compound is recommended for 5 and 8 kV couplers and junction boxes exposed to extreme changes in temperature and humidity. Potting compound can be purchased separately refer to page 11.



**PATTON & COOKE CO.**

5 or 8 kV COUPLERS

P/R K/L SERIES



**TABLE B: 250 & 400 AMP COUPLER AND JUNCTION BOX OPTIONS**

*This table lists options that may be requested with this product class.*

*Use of this table is not required for standard configurations*

Description	Description
1. Ground Contact, One Additional	11. Pilot Contact, None
2. Interlocks, Mechanical provision for (does not include interlocks, e.g. Kirk type) Male or Female	12. Ground Lug, External
4. Ground Contact, One Additional No Pilot Contact	13. Pilot Contact, Three Additional.
5. Pilot Contact, One Additional.	14. Ground Contact, One Additional, Interlocks, Mechanical provision for (does not include interlocks, e.g. Kirk type)
6. Ground Circuit Reversed.	15. Ground Contact, Two Additional, No Pilot
7. Live End Cover Equipped with End-of-Line Device Please specify.	16. Ground Contact, Two Additional
8. Pilot Contact, Two Additional	17. Corrosion Resistant Option (Includes all stainless steel hardware and extra heavy epoxy coating)
9. Neutral Contact, One Isolated (Maximum: One Extra)	18. Ground Contact, Two Additional Pilot Contact, One Additional.
10. Solderless Stems	19. Entrance Fitting, Teck Cable Specify Size and Type

**SELECTION REMINDERS:**

1. Standard Contact Structure: 250 Amp - 3 Power + 1 Ground + 1 Pilot, 400 Amp - 3 Power + 2 Ground + 1 Pilot
2. Options can be combined

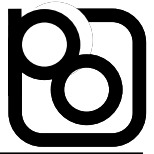
If other options are required which are not listed contact Patton & Cooke.



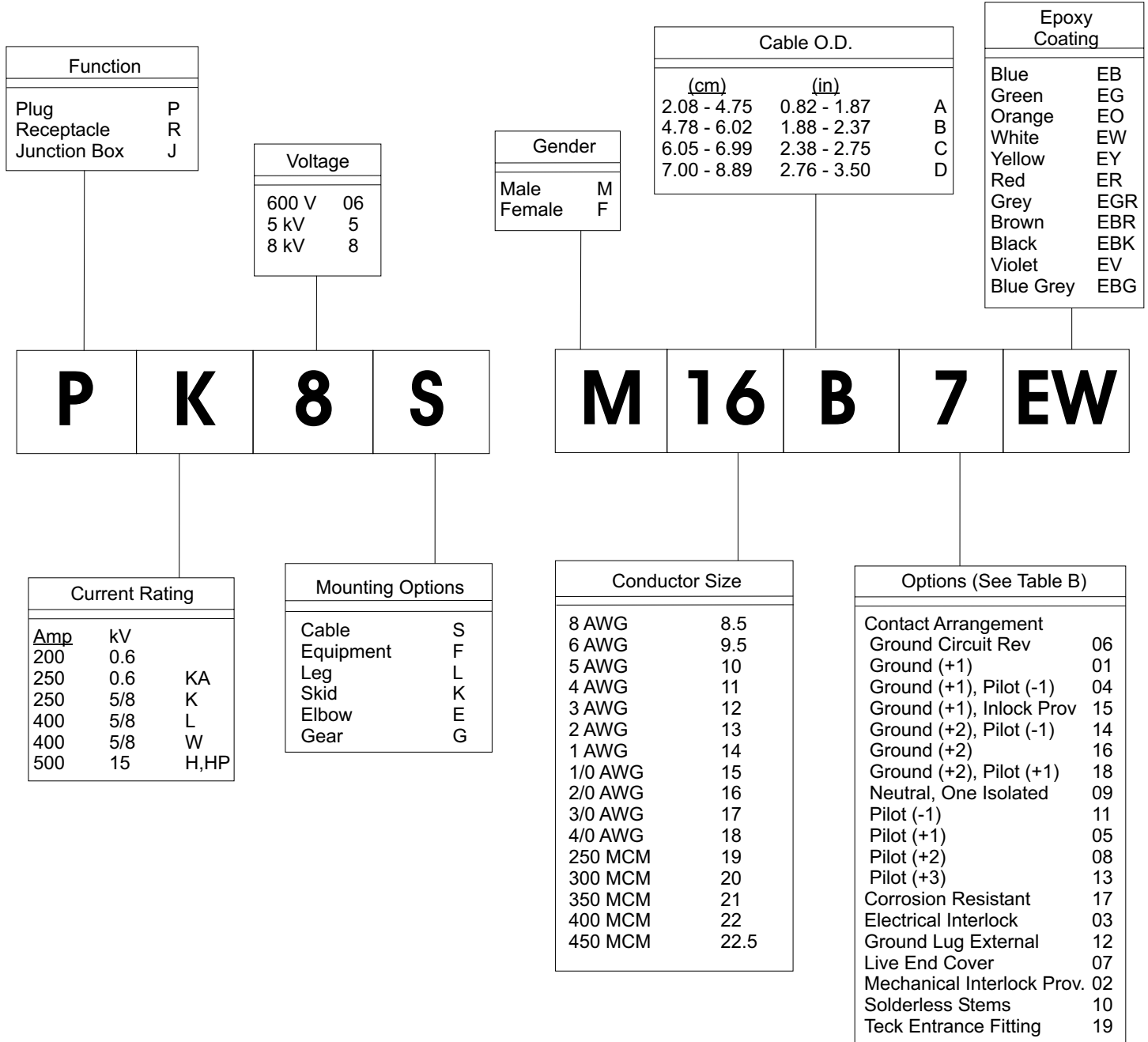
**PATTON & COOKE CO.**

5 or 8 kV COUPLERS

P/R K/L SERIES



**250 & 400 AMP COUPLER CATALOG NUMBER  
COMBINATION GUIDE**





**PATTON & COOKE CO.**

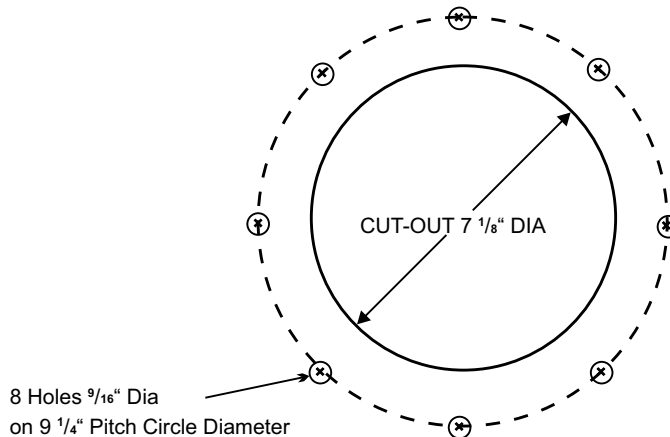
**5 or 8 kV COUPLERS  
P/R K/L SERIES**



**250 and 400 A COUPLER WEIGHTS AND DIMENSIONS**

Illustration (not to scale)	Coupler Rating (A)	Catalog Number	Dimensions				Weight
			A	B	C	D	
<b>CABLE MOUNTED MALE</b> 	250	<b>PK8S-M x y</b>	14" 356 mm	9 1/2" 241 mm	18" 457 mm		25.0 lb 11.4 kg
	400	<b>PL5S-M x y</b>	14" 356 mm	9 1/2" 241 mm	18" 457 mm		25.0 lb 11.4 kg
<b>EQUIPMENT MOUNTED MALE</b> 	250	<b>PK8F-M x</b>	4 1/2" 114 mm	10 1/2" 267 mm	9" 229 mm	9 1/4" 235 mm	17.0 lb 7.7 kg
	400	<b>PL5F-M x</b>	4 1/2" 114 mm	10 1/2" 267 mm	9" 229 mm	9 1/4" 235 mm	17.0 lb 7.7 kg
<b>CABLE MOUNTED FEMALE</b> 	250	<b>RK8S-F x y</b>	17 1/2" 445 mm	9 1/2" 241 mm	20 1/2" 521 mm		23.0 lb 10.4 kg
	400	<b>RL5S-F x y</b>	17 1/2" 445 mm	9 1/2" 241 mm	20 1/2" 521 mm		23.0 lb 10.4 kg
<b>EQUIPMENT MOUNTED FEMALE</b> 	250	<b>RK8F-F x</b>	8" 203 mm	10 1/2" 267 mm	10 5/8" 272 mm	9 1/4" 235 mm	16.0 lb 7.3 kg
	400	<b>RL5F-F x</b>	8" 203 mm	10 1/2" 267 mm	10 5/8" 272 mm	9 1/4" 235 mm	16.0 lb 7.3 kg
<b>JUNCTION BOX</b> 	250	<b>JK8K-F-1</b>	29" 747 mm	10 1/2" 267 mm	8" 203 mm	5 1/4" 133 mm	68.0 lb 31.0 kg
	400	<b>JL5K-F-1</b>	29" 747 mm	10 1/2" 267 mm	8" 203 mm	5 1/4" 133 mm	68.0 lb 31.0 kg

**CUT-OUT DETAILS FOR EQUIPMENT MOUNT COUPLERS**





# PATTON & COOKE CO.

## 5 or 8 kV COUPLERS C80 SERIES



### 250 & 400 AMP COUPLER CATALOG NUMBERS

250 Amp Contact Structure: 3 Power + 1 Ground + 1 Pilot

400 Amp Contact Structure: 3 Power + 2 Ground + 1 Pilot

Coupler Rating (A)	Male/Female	Mounting Options	Outside Cable Diameter		Patton & Cooke Catalog Number
			(mm)	(in)	
250	M	Cable Mount	20.8-47.5	0.82-1.87	<b>C80C1003</b> <u>x</u>
			47.8-60.2	1.88-2.37	<b>C80C1004</b> <u>x</u>
			60.5-69.9	2.38-2.75	<b>C80C1005</b> <u>x</u>
			70.1-88.9	2.76-3.50	<b>C80C1006</b> <u>x</u>
	F		20.8-47.5	0.82-1.87	<b>C80C2004</b> <u>x</u>
			47.8-60.2	1.88-2.37	<b>C80C2005</b> <u>x</u>
			60.5-69.9	2.38-2.75	<b>C80C2006</b> <u>x</u>
			70.1-88.9	2.76-3.50	<b>C80C2007</b> <u>x</u>
	M	Equipment Mount	N/A		<b>C80C1007</b> <u>x</u>
	F		N/A		<b>C80C2003</b> <u>x</u>
400	M	Cable Mount	20.8-47.5	0.82-1.87	<b>C80D1013</b> <u>x</u>
			47.8-60.2	1.88-2.37	<b>C80D1014</b> <u>x</u>
			60.5-69.9	2.38-2.75	<b>C80D1015</b> <u>x</u>
			70.1-88.9	2.76-3.50	<b>C80D1016</b> <u>x</u>
	F		20.8-47.5	0.82-1.87	<b>C80D2014</b> <u>x</u>
			47.8-60.2	1.88-2.37	<b>C80D2015</b> <u>x</u>
			60.5-69.9	2.38-2.75	<b>C80D2016</b> <u>x</u>
			70.1-88.9	2.76-3.50	<b>C80D2017</b> <u>x</u>
	M	Equipment Mount	N/A		<b>C80D1017</b> <u>x</u>
	F		N/A		<b>C80D2018</b> <u>x</u>

#### ORDERING PROCEDURE:

- Determine the following:
  - Current rating, 250 or 400 Amp.
  - Male (plug) or female (receptacle) contacts.
  - Cable or equipment mounting.
- For equipment mounting, select catalog number of coupler.
- For cable mounting, determine outside cable diameter and select catalog number of coupler. Clamp inserts and cable gasket must be purchased separately as a kit for the entrance fitting, see Table B on page 7.
- Determine conductor size and substitute appropriate code from Table A on page 2 for "x" in the catalog number.

Example: male plug, 250 Amp, cable mount, #2 cable, outside cable diameter 2.125"  
 Catalog number C80C1004F  
 Entrance Fitting Gasket Kit C150F3017

Available options and accessories refer to pages 9 and 11.

All couplers and junction boxes are supplied with cover, attachment chain and provision for padlocking two mated couplers and/or covers. Termination kits and potting compound can be purchased separately, refer to page 11. Potting compound is also available as an option. Refer to table C on page 9.

Standard terminations for phase, pilot and ground conductors are mechanical by means of allen head screws.

Potting compound is recommended for 5 and 8kV couplers and junction boxes exposed to extreme changes in temperature and humidity. Potting compound can be purchased separately refer to page 11.



**PATTON & COOKE CO.**  
5 or 8 kV COUPLERS  
C80 SERIES



**TABLE A: 250 & 400 AMP COUPLER CATALOG SUFFIXES - x**

Max. Cable Size SHD-GC 5 or 8 kV (mm <sup>2</sup> ) (AWG)		<u>x</u> - Cat. No. Suffix	Max. Cable Size SHD-GC 5 or 8 kV (mm <sup>2</sup> ) (AWG)		<u>x</u> - Cat. No. Suffix
21	#4	D	85	3/0	K
27	#3	E	107	4/0	L
34	#2	F	127	250 MCM	M
42	#1	G	152	300 MCM	N
54	1/0	H	178	350 MCM	O
67	2/0	J	203	400 MCM	P

**TABLE B: COUPLER ENTRANCE FITTING GASKET KITS (FOR CABLEMOUNT COUPLERS)**

Outside Cable Diameter (mm) (in)		Catalog Number	Outside Cable Diameter (mm) (in)		Catalog Number
20.8-22.1	0.82-0.87	<b>C150F3004</b>	51.1-53.8	2.01-2.12	<b>C150F3016</b>
22.4-23.9	0.88-0.94	<b>C150F3005</b>	54.1-57.2	2.13-2.25	<b>C150F3017</b>
24.1-25.7	0.95-1.01	<b>C150F3006</b>	57.4-60.2	2.26-2.37	<b>C150F3018</b>
25.9-26.9	1.02-1.06	<b>C150F3007</b>	60.5-63.5	2.38-2.50	<b>C150F3019</b>
27.2-28.4	1.07-1.12	<b>C150F3008</b>	63.8-66.5	2.51-2.62	<b>C150F3020</b>
28.7-31.8	1.13-1.25	<b>C150F3009</b>	66.8-69.9	2.63-2.75	<b>C150F3021</b>
32.0-34.8	1.26-1.37	<b>C150F3010</b>	70.1-72.9	2.76-2.87	<b>C150F3022</b>
35.0-38.1	1.38-1.50	<b>C150F3011</b>	73.2-76.2	2.88-3.00	<b>C150F3023</b>
38.4-41.1	1.51-1.62	<b>C150F3012</b>	76.5-79.2	3.01-3.12	<b>C150F3024</b>
41.4-44.5	1.63-1.75	<b>C150F3013</b>	79.5-82.6	3.13-3.25	<b>C150F3025</b>
44.7-47.5	1.76-1.87	<b>C150F3014</b>	82.8-85.6	3.26-3.37	<b>C150F3026</b>
47.8-50.8	1.88-2.00	<b>C150F3015</b>	85.9-88.9	3.38-3.50	<b>C150F3027</b>

**SELECTION REMINDERS:**

1. Each kit consists of 2 clamp inserts and 1 cable gasket.
2. Choose the kit to fit the outside diameter of the cable.
3. Make sure that the O/D of the kit chosen falls within the outside cable diameter range of the selected cable mounted coupler.



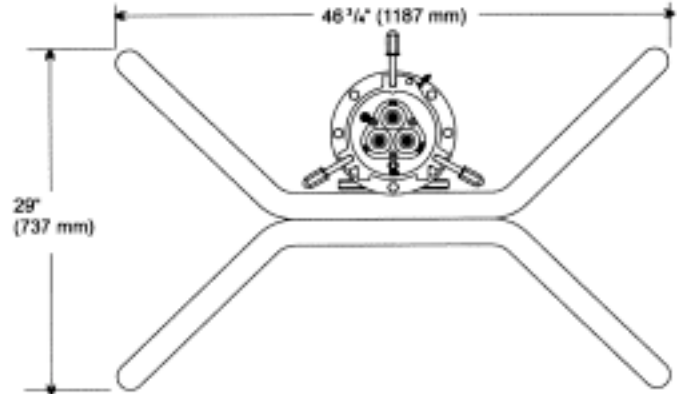
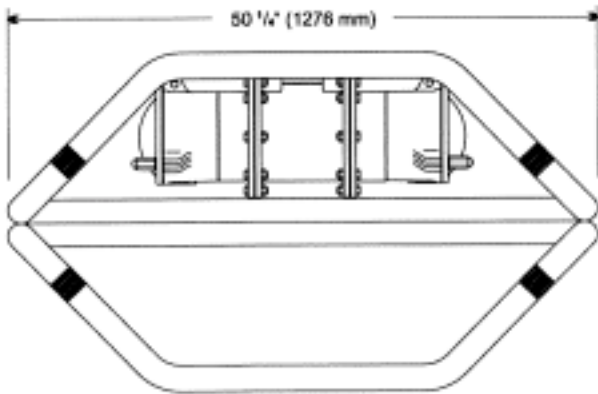


**PATTON & COOKE CO.**  
 5 or 8 kV COUPLERS  
 C80 SERIES



**250 & 400 AMP JUNCTION BOX CATALOG NUMBERS**

Coupler Rating (A)	Description	Mounting Options	Patton & Cooke Catalog Number
250	Two female receptacles with phase transposing compartment. To join cables equipped with male plugs on both ends.	Less Skid	<b>C80C3004</b>
400		Skid Mount	<b>C80C3003</b>
		Less Skid	<b>C80D3007</b>
		Skid Mount	<b>C80D3006</b>



**SKID MOUNTED JUNCTION BOX**

Available options refer to Table C page 9.

Available accessories refer to page 11.

All couplers and junction boxes are supplied with cover, attachment chain and provision for padlocking two mated couplers and/or covers. Termination kits and potting compound can be purchased separately, refer to page 11. Potting compound is also available as an option. Refer to table C on page 9.

Standard terminations for phase, pilot and ground conductors are mechanical by means of allen head screws.

Potting compound is recommended for 5 and 8 kV couplers and junction boxes exposed to extreme changes in temperature and humidity. Potting compound can be purchased separately refer to page 11.



# PATTON & COOKE CO.

## 5 or 8 kV COUPLERS C80 SERIES



### TABLE C: 250 & 400 AMP COUPLER AND JUNCTION BOX OPTIONS

*This table lists options that may be requested with this product class.  
Use of this table is not required for standard configurations*

Description		Description	
1. Corrosion Resistant Option Includes: hypalon gaskets & seals, all stainless steel hardware and extra heavy epoxy coating. Add to price of epoxy coating option.		7. Ground Contact, One Additional. See Note 1.	
2. Elbow Adaptor. Change right angle equipment to 45°		8. Ground Contact, Two Additional, No Pilot. See Note 2.	
3. Entrance Fitting, Conduit Coupling. Specify size and type.		10. Interlocks, Mechanical provision for (does not include interlocks, e.g. Kirk type)	Male
4. Entrance Fitting, Steel Wire Armour Clamp. Specify size and type.			Female
5. Entrance Fitting, Teck Cable. Specify size and type.		11. Leg Mounting, Three mounting feet	
6. Electrostatic Application of Epoxy Powder Coating  Available on: Cable Mount Equipment Mount Junction Boxes	Color / Code		12. Live End Cover, Equipped with End-of-Line Diode
	Blue (EB)	Grey (EGR)	13. Neutral Contact, One isolated. Max. one extra See Note 3.
	Orange (EO)	Brown (EBR)	
	White (EW)	Black (EBR)	14. Pilot Contact, None.
	Yellow (EY)	Violet (EV)	15. Pilot Contact, One Additional. See Note 1.
	Green (EG)	Blue Grey (EBG)	
	Red (ER)		16. Potting Compound.

#### NOTES:

1. This option available on 250 Amp couplers only.
2. This option available on 250 Amp couplers only and pilot contact must be omitted.
3. This option available on 250 and 400 Amp couplers. Pilot contact must be omitted.

#### SELECTION REMINDERS:

1. Standard Contact Structure: 250 Amp - 3 Power + 1 Ground + 1 Pilot, 400 Amp - 3 Power + 2 Ground + 1 Pilot
2. Refer to Option Combination Matrix Table D on page 10 to determine which options can be combined.

#### ORDERING PROCEDURE (WITH OPTIONS):

Example: 8 kV, 250 Amp, female receptacle, cable mount, #2 cable, outside cable diameter 2.25", corrosion resistant, epoxy coated white  
 Basic Catalog Number C80C2005F  
 Gasket Kit Catalog Number C150F3017  
 Corrosion Resistant Option  
 Epoxy coating-cable mount

Catalog Number: Will be assigned by Patton & Cooke at time of order entry. Contact factory if preassigned number is required.

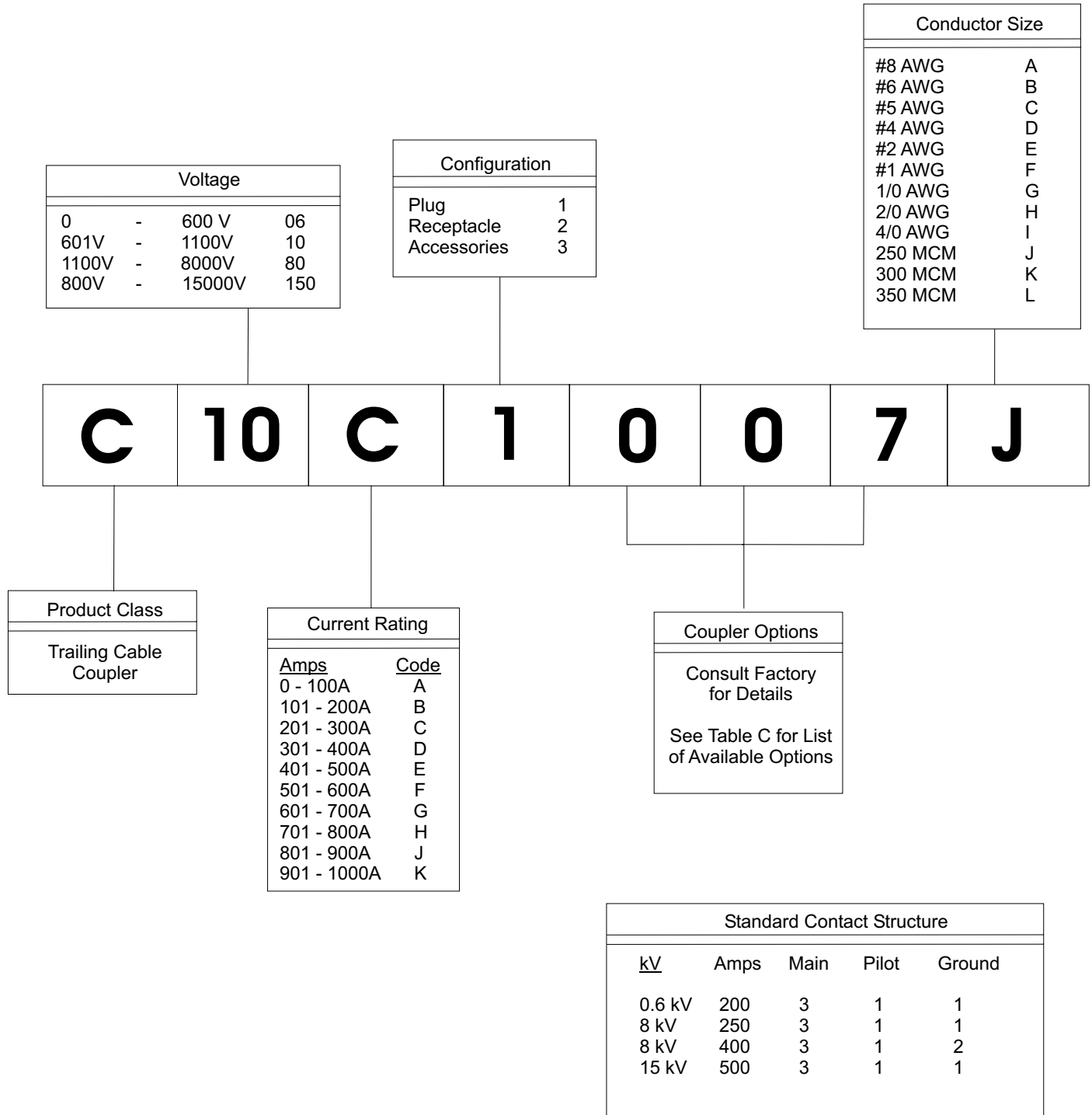
If other options are required which are not listed contact Patton & Cooke.



**PATTON & COOKE CO.**  
**TRAILING CABLE COUPLERS**  
**C SERIES**



**250 & 400 AMP COUPLER CATALOG NUMBER**  
**COMBINATION GUIDE**





**PATTON & COOKE CO.**  
**5 or 8 kV COUPLERS**  
**P/R K/L AND C80 SERIES**



**250 & 400 AMP COUPLER AND JUNCTION BOX KITS AND ACCESSORIES**

**COUPLER TERMINATION KIT**

These kits include all materials and instructions necessary to terminate one end of a three phase 5 or 8 kV cable.

5 kV Cable Conductor Size (mm <sup>2</sup> )	5 kV Cable Conductor Size (AWG)	8 kV Cable Conductor Size (mm <sup>2</sup> )	8 kV Cable Conductor Size (AWG)	Patton & Cooke Catalog Number
27-107	#3-4/0	21-107	#4-4/0	11Y-002

**COUPLER / JUNCTION BOX SKIDS**

Description	Patton & Cooke Catalog Number
Tubular skid, with no rollover protection, orange	STA-026
Tubular skid, with rollover protection, orange	STA-021A
Coupler to skid mounting plate c/w hardware. See notes 1 and 2.	C80C3006

Note: 1. Add leg mount option to couplers for skid mounting.  
 2. One C80C3006 is required for coupler mounting on either STA-026 or STA-021A.

**LIVE END COVERS**

Current Rating (A)	Male/Female	For use with	Patton & Cooke Catalog Number
250	M	PK8S-M <sub>xy</sub> PK8F-M <sub>x</sub> C80C1000 <sub>x</sub> Series	11E-073
	F	RK8S-F <sub>xy</sub> RK8F-F <sub>x</sub> C80C2000 <sub>x</sub> Series	11E-073A
400	M	PL5S-M <sub>xy</sub> PL5F-M <sub>x</sub>	11D-110
		C80D1000 <sub>x</sub> Series	C80D3008
	F	RL5S-F <sub>xy</sub> RL5F-F <sub>x</sub>	11D-110A
		C80D2000 <sub>x</sub> Series	C80D3009

**POTTING COMPOUND**

The recommended potting compound is HIGEL 4442 manufactured by 3M Canada.

Description	Patton & Cooke Catalog Number
Two part. Cold pour mix, 750 g container.	OS-J563-750
Two part. Cold pour mix, 3 000 g container.	OS-J563

Note 1. One (1) 3000 g kit is required for each 5 or 8 Kv cable mount coupler and three (3) 3000 g kits are required for each 5 or 8 kV junction box.

**COUPLER TOOLS**

Description	Patton & Cooke Catalog Number
Contact insertion tool	11D-070
Complete coupler assembly tool kit. Includes contact insertion tool, 7/16" combination wrench, 7/32" and 1/4" A/F hex screwdriver, 10" adjustable wrench, 8" slot screwdriver, 3/4" crowfoot wrench, 6"-3/8" drive extension and 3/8" drive ratchet assembled complete in tool box.	C80C3007

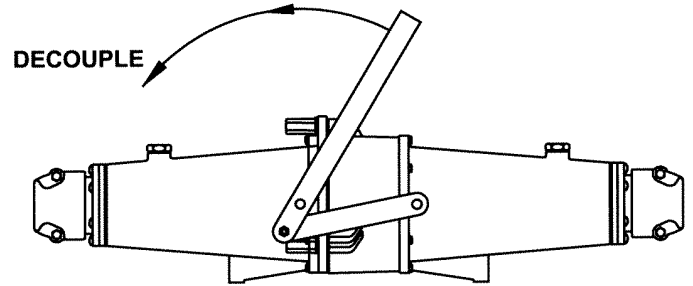
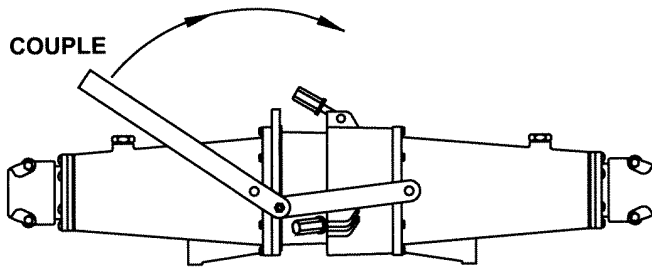


**PATTON & COOKE CO.**  
**5 or 8 kV COUPLERS**  
**P/R K/L AND C80 SERIES**



**250 & 400 AMP COUPLER AND JUNCTION BOX KITS AND ACCESSORIES**

**CLOSING TOOL**



**CLOSING TOOL AND HANDLE ASSEMBLY SHOWN IN USE ON 8 kV COUPLER**

Assists in coupling and decoupling of 5 and 8 kV trailing cable couplers fitted with Patton & Cooke three bolt quick connection system.

By simply adding the bracket sets to cable mounted plugs and receptacles, coupling and decoupling now becomes a simple, one person operation. No threads, no collars, no hassles.

The closing tool has a positive locking pin and sleeve that can easily be unclipped for handle removal; freeing the handle for safe storage or for use on the rest of the power distribution system.

Manufactured from heavy duty steel with corrosion resistant hardware and pivot parts. Finished in durable, highly visible baked on epoxy powder coat.

Illustration (not to scale)	Description	For use with P&C Coupler
	Handle Assembly	PK and RK Series PL and RL Series
	Handle Assembly	C80C Series C80D Series
	Bracket assembly consisting of two brackets and stainless steel mounting hardware for use on either cable mounted plug or receptacle. (Kit will adapt one cable end).	PK and RK Series PL and RL Series C80C Series C80D Series
	Bracket assembly consisting of two brackets and stainless steel mounting hardware for use on either equipment mounted plug or receptacle (Kit will adapt one cable end).	PK and RK Series PL and RL Series C80C Series C80D Series



**PATTON & COOKE CO.**  
 5 or 8 kV COUPLERS  
 P/R K/L AND C80 SERIES



**250 and 400 A COUPLER WEIGHTS AND DIMENSIONS**

Illustration (not to scale)	Coupler Rating (A)	Catalog Number	Dimensions				Weight
			A	B	C	D	
<b>CABLE MOUNTED MALE</b> 	250	<b>C80C1003-6</b>	17" 432 mm	9 1/2" 241 mm	21" 533 mm		31.0 lb 14.0 kg
	400	<b>C80D1013-16</b>	17" 432 mm	9 1/2" 241 mm	21" 533 mm		32.0 lb 14.5 kg
<b>EQUIPMENT MOUNTED MALE</b> 	250	<b>C80C1007</b>	7 1/2" 191 mm	10 1/2" 267 mm	12" 305 mm	9 1/4" 235 mm	24.0 lb 11.0 kg
	400	<b>C80D1017</b>	7 1/2" 191 mm	10 1/2" 267 mm	21" 533 mm	9 1/4" 235 mm	25.0 lb 11.5 kg
<b>CABLE MOUNTED FEMALE</b> 	250	<b>C80C2004-7</b>	20" 508 mm	9 1/2" 241 mm	23" 584 mm		33.0 lb 15.0 kg
	400	<b>C80D2014-7</b>	20" 508 mm	9 1/2" 241 mm	23" 584 mm		34.0 lb 15.3 kg
<b>EQUIPMENT MOUNTED FEMALE</b> 	250	<b>C80C2003</b>	10 5/8" 272 mm	10 1/2" 267 mm	13 1/2" 343 mm	9 1/4" 235 mm	26.0 lb 12.0 kg
	400	<b>C80D2018</b>	10 5/8" 272 mm	10 1/2" 267 mm	13 1/2" 343 mm	9 1/4" 235 mm	27.0 lb 12.3 kg
<b>JUNCTION BOX</b> 	250	<b>C80C3004</b>	34 1/2" 876 mm	10 1/2" 267 mm	8" 203 mm	5 1/4" 133 mm	90.0 lb 41.0 kg
	400	<b>C80D3007</b>	34 1/2" 876 mm	10 1/2" 267 mm	8" 203 mm	5 1/4" 133 mm	92.0 lb 42.0 kg

**CUT-OUT DETAILS FOR EQUIPMENT MOUNT COUPLERS**

