

P = Pump End
 R = Pipeline End
 B = By-Pass End

Installation P-R:

Vertical

L = 340.0 mm

S = 220.0 mm

H = 125.0 mm

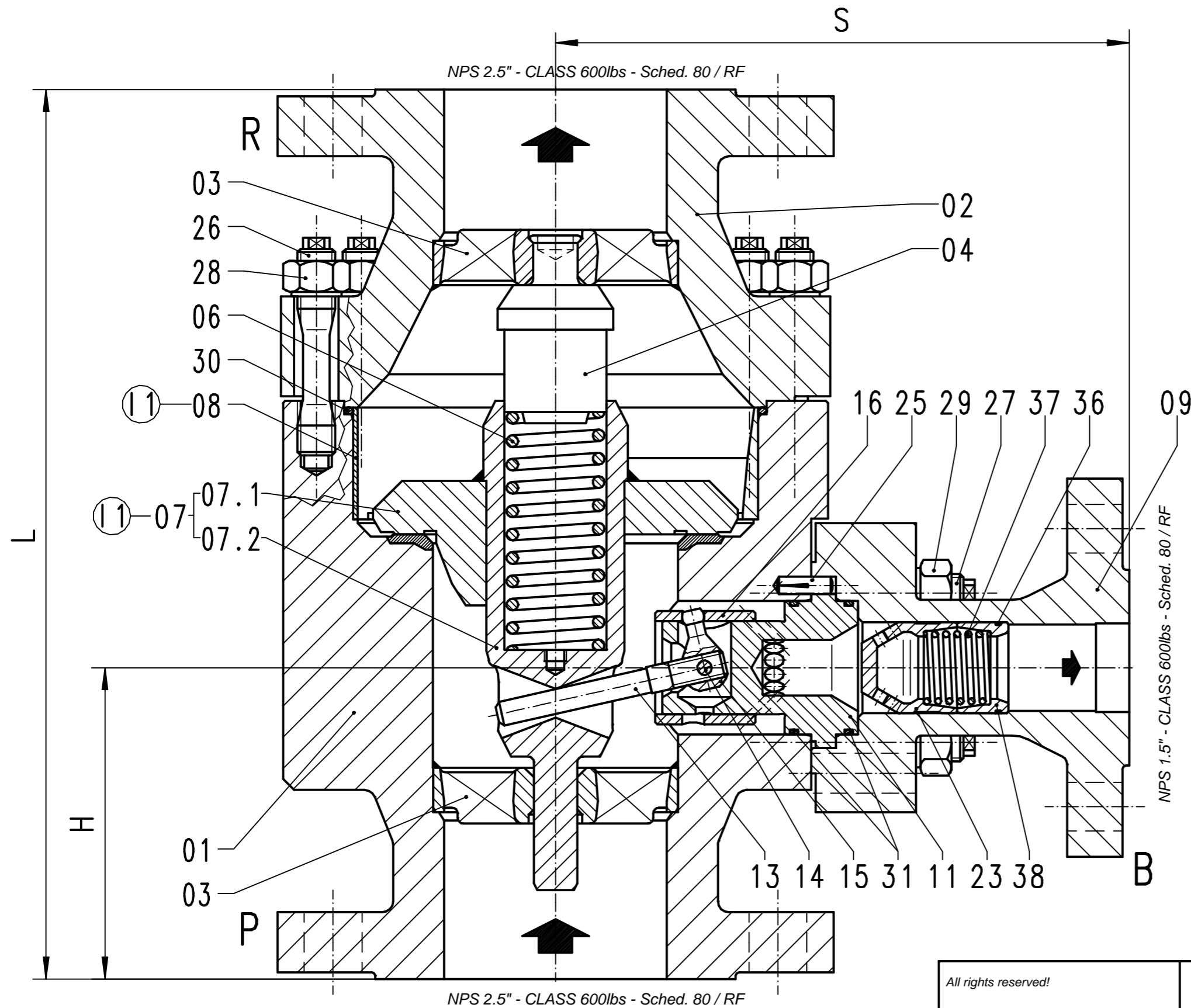
Weight: 85.0 kg

RFQ-No.:

Preis Anfrage 307668

Project:

TAG-No:



Subject to change without prior notice!

All rights reserved!	general tolerance ISO 2768 - m		scale	com-no. 3010285.1
			Materials	Quantity: 1.0
	Date	Name	Pump Protection Valve TDL096UVW-CS	
Gepr.				
Edited				
SCHROEDAHL GmbH			4TDL096UVW-CS-00	
D-51580 Reichshof-Mittelagger				B/ Fro m
Zust	Change	Name	Date	

I1 = technical layout after design layout

dl:\app\us\pdf\TDL\CK.pdf