

HC-610 Manual
CAPACITIVE HYBRID RELATIVE HUMIDITY
SENSOR

© 2014 Ohmic Instruments St. Charles, MO



Ohmic Instruments
3081 Elm Point Industrial Drive
St. Charles, MO 63301 USA

Phone (410) 820-5111
Toll Free(800) 626-7713
Fax (410) 822-9633

www.ohmicinstruments.com
Sales: sales@ohmicinstruments.com
Service: service@ohmicinstruments.com

HC-610 PRECAUTIONS

CAUTION: IMPROPER HANDLING

- Do not remove the sensors from their original protective packaging until they are ready to be installed.
- Do not touch the sensor surface. Use latex finger cots. Handle sensor by package edges or leads.
- Do not allow objects to enter the cavity of the sensor element.

Failure to comply with these instructions may result in product damage.

WARNING: PERSONAL INJURY

- DO NOT USE these products as safety or emergency stop devices or in any other application where failure of the product could result in personal injury.

Failure to comply with these instructions could result in death or serious injury.

ELECTROSTATIC SENSITIVE DEVICE

ESD SENSITIVITY: CLASS 3

Protected to 15 KV max.

Shade from intense light

Temperature Limits: The operating temperature limit for the HC-610 is -40°F to $+185^{\circ}\text{F}$.

Chemical Vapors: The sensor's design provides better resistance to condensation and chemical vapors, such as organic solvents, chlorine, and ammonia. The sensor may be cleaned with isopropyl alcohol.

Installation of Sensors:

RECOMMENDED PCB MOUNTING: Mill-Max Socket Number 310-93-132-41-001 or similar. Sensors must be hand soldered. A heat sink should be used on the sensor legs when soldering to prevent excessive heat from reaching the pad on the sensor body. Carefully clean solder excess with a solder cleaner, but do not get any cleaner on the sensor itself. Hand soldering is recommended; however, if wave soldering is required, use no-clean flux. Limit the contact of the flux to the leads only. Recommended PC board wave soldering temperature is 250 to 260 °C (482 to 500 °F).

CAUTION: IMPROPER CLEANING

- Insert and solder the sensor after the PCB cleaning process.
- Clean sensor with isopropyl alcohol after soldering

Failure to comply with these instructions may result in product damage.

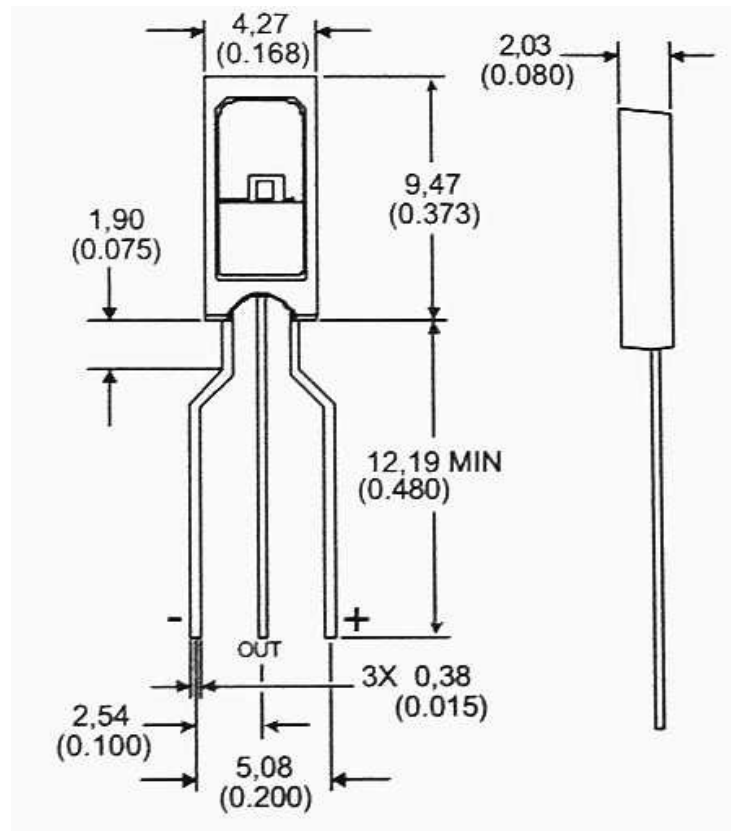
MOISTURE SEALING THE LEADS

If, in the presence of intermittent moisture or other contaminants, there is a possibility of galvanic paths between the leads, moisture seal the leads. Any nonconductive material such as silicone or Humiseal may be used.

Notes:

1. Extended exposure to $\geq 90\%$ RH causes a reversible shift of 3 % RH.
2. This sensor is light sensitive. For best re-

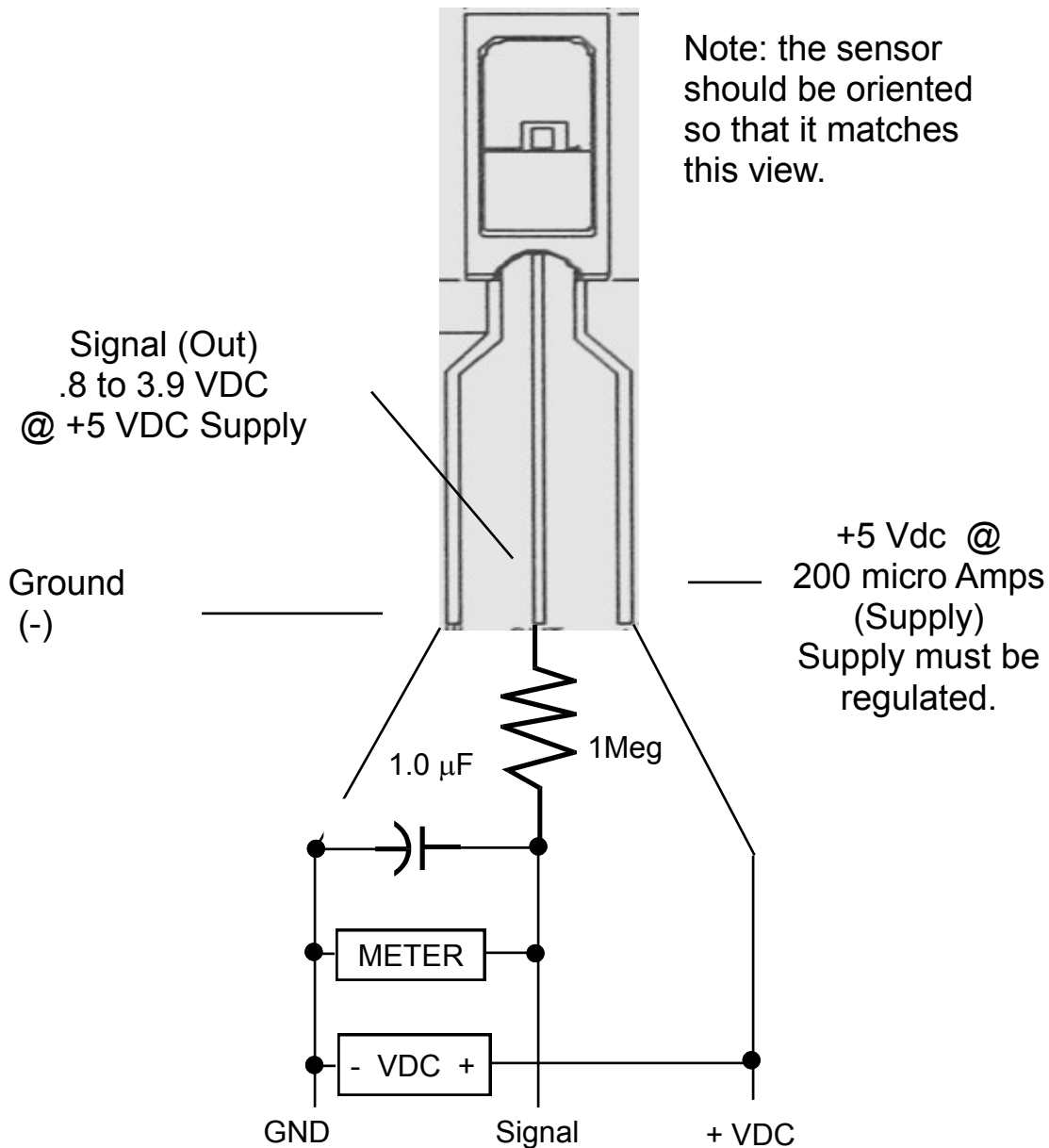
DIMENSIONAL DRAWING: IN mm And () Thousands of an inch.



SPECIFICATIONS

Response Time	15 Seconds in slow moving air @ 25°C
Stability	± 1% RH Typ. at 50% RH In 5 Years
Total Accuracy	± 2% RH, 0-100% RH non-condensing @ 25°C
Interchangeability	± 5% RH
Operating Temperature	-40 to +85°C (-40 to +185°F)
Hysteresis	± 1.2% of Span Maximum
Linearity	± 0.5% RH Typical
Repeatability	± 0.5% RH
Voltage Supply (Vps)	4.0– 5.8 Vdc regulated
Voltage Output	$V_{out} = V_{ps} (0.0062 (\text{Sensor RH}) + 0.16)$
RH Out	$\%RH = 161.29(V_{out}/V_{ps}) - 25.806$ (Vps is the power supply voltage in volts.)
Temperature Compensation	True RH = $\%RH \div (1.0546 - 0.00216T)$ where T= °C and %RH = Uncorrected % RH
Drive Capability	50µA typical, 20 µA minimum, 100 µA maximum
Turn-on Time	≤ 0.1 second
Current Requirement	200 µ A @5 Vdc Regulated
Handling/Installation	Electrostatic Sensitive. Protected to 15 KV Max.

HC-610 RELATIVE HUMIDITY SENSOR CONNECTION AND EQUATION



WARNING! Connecting the sensor wrong may damage the sensor. Double check your connections before applying power.

EQUATIONS:

Voltage Output: $V_{out} = V_{supply} (0.0062 (\text{Sensor RH}) + 0.16)$
%RH Out $\%RH = 161.29(V_{out}/V_{ps}) - 25.806$ (Vps is the power supply voltage in volts.)

Sensors are temperature dependent. Apply the following temp. comp. equation to get true compensated %RH.

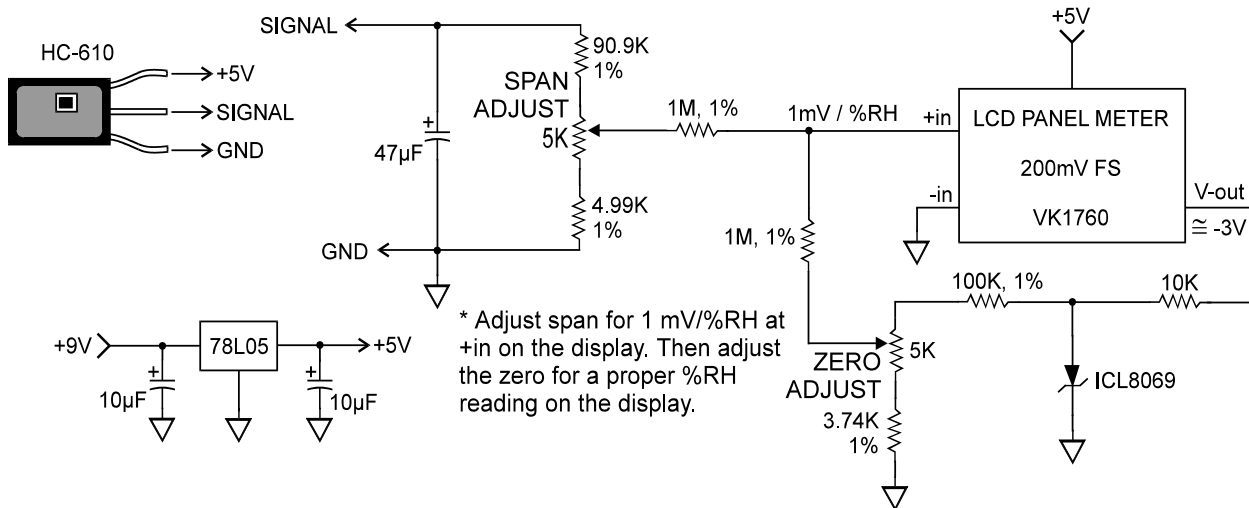
Temp Comp: True RH = Sensor RH / (1.093-0.0012T), T in ° F

Temp Comp: True RH = Sensor RH / (1.0546-.00216T), T in ° C

HUMIDITY DISPLAY CIRCUIT

There are many ways to display the VDC Out vs. RH Data. The simplest is to connect a digital multimeter (DMM) and +5VDC regulated power supply to the sensor. Read the VDC out, then obtain the RH value from the equation. The slope of the sensors' output equation (VDC out per 1% RH

change) is 29 mV/%RH (off-set 0.78 VDC) for the Model HC-610. Some DMM's have a relative mode button, allowing for the zeroing of the off-set. The DMM should have a nominal 10 megohms input impedance. For a direct reading of RH, the circuit diagram in Fig. 2 can be used. The LCD display is available from OHMIC INSTRUMENTS CO.



HUMIDITY CONTROL CIRCUIT

The humidity controller circuit diagram in Fig. 3 accepts capacitive or resistive sensor transmitters. The input signal is filtered and attenuated for improved dynamic range and is applied to the non-inverting input (+) of an op-amp configured as a comparator. Its switch point is selectable by the

potentiometer with resistance values as indicated over the full dynamic range of the signal conditioner. The set point selection is made by applying a DC voltage to the inverting input (-) signal input with the selected value from the given equations. Once the set point is exceeded, the output of the op-amp turns on the mosfet to activate the 5V relay.

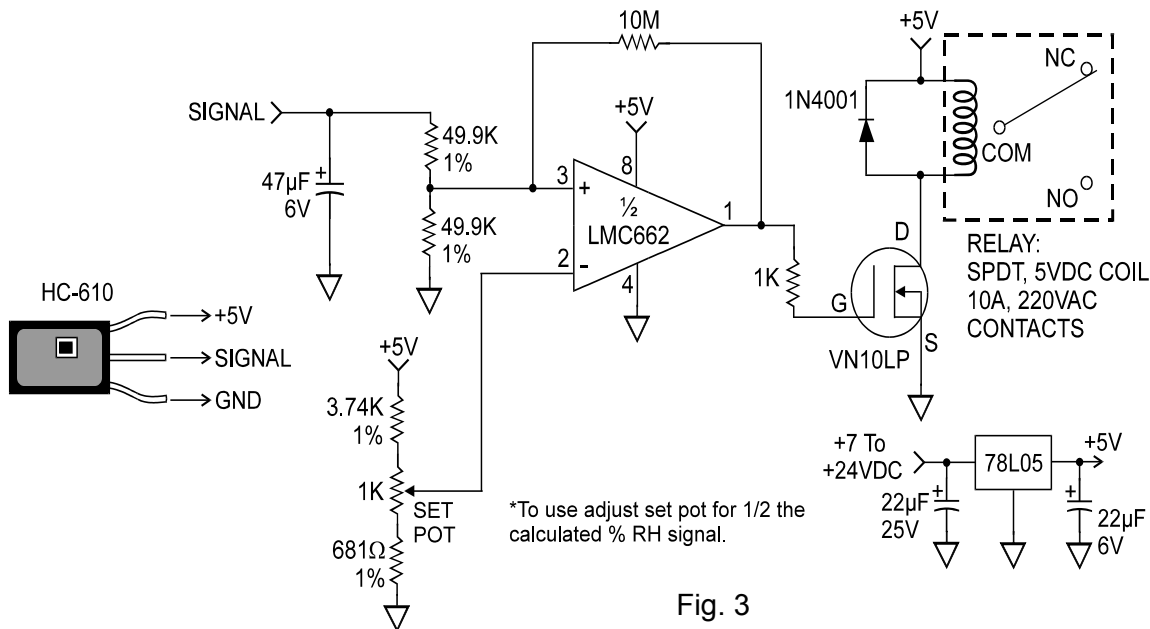


Fig. 3

WARRANTY

Notwithstanding any provision of any agreement the following warranty is exclusive.

Ohmic Instruments warrants each instrument it manufactures to be free from defects in material and workmanship under normal use and service for the period of 1-year from date of purchase. This warranty extends only to the original purchaser. This warranty shall not apply to fuses or any product or parts which have been subjected to misuse, neglect, accident, or abnormal conditions of operation.

In the event of failure of a product covered by this warranty, Ohmic Instruments will repair and recalibrate an instrument returned within 1 year of the original purchase, provided the warrantor's examination discloses to its satisfaction that the product was defective. The warrantor may, at its option, replace the product in lieu of repair. With regard to any instrument returned within 1 year of the original purchase, said repairs or replacement will be made without charge. If the failure has been caused by misuse, neglect, accident, or abnormal conditions of operations, repairs will be billed at a nominal cost. In such case, an estimate will be submitted before work is started, if requested.

THE FOREGOING WARRANTY IS IN LIEU OF ALL OTHER WARRANTIES, EXPRESSED OR IMPLIED, INCLUDING BUT NOT LIMITED TO ANY IMPLIED WARRANTY OF MERCHANTABILITY, FITNESS, OR ADEQUACY FOR ANY PARTICULAR PURPOSE OR USE. OHMIC INSTRUMENTS COMPANY SHALL NOT BE

LIABLE FOR ANY SPECIAL, INCIDENTAL, OR CONSEQUENTIAL DAMAGES, WHETHER IN CONTRACT, TORT, OR OTHERWISE.

If any failure occurs, the following steps should be taken:

1. Notify Ohmic Instruments. giving full details of the difficulty, and include the model, type, and serial numbers (where applicable). On receipt of this information, service data, or shipping instructions will be forwarded to you.
2. On receipt of shipping instructions, forward the instrument, transportation prepaid. Repairs will be made and the instrument returned, transportation prepaid.

SHIPPING TO MANUFACTURER FOR REPAIR OR ADJUSTMENT

All shipments of Ohmic Instruments products should be made via United Parcel Service or "Best Way" prepaid. The instrument should be shipped in the original packing carton, or if it is not available, use any suitable container that is rigid and of adequate size. If a substitute container is used, the instrument should be wrapped in packing material and surrounded with at least four inches of excelsior or similar shock absorbing material.

CLAIM FOR DAMAGE IN SHIPMENT TO ORIGINAL PURCHASER

The instrument should be thoroughly inspected immediately upon delivery to purchaser. All material in the shipping container should be



www.ohmicinstruments.com
Sales: sales@ohmicinstruments.com
Service: service@ohmicinstruments.com

Phone (410) 820-5111
Toll Free(800) 626-7713
Fax (410) 822-9633