



COILS 30 mm x Ø 13 mm

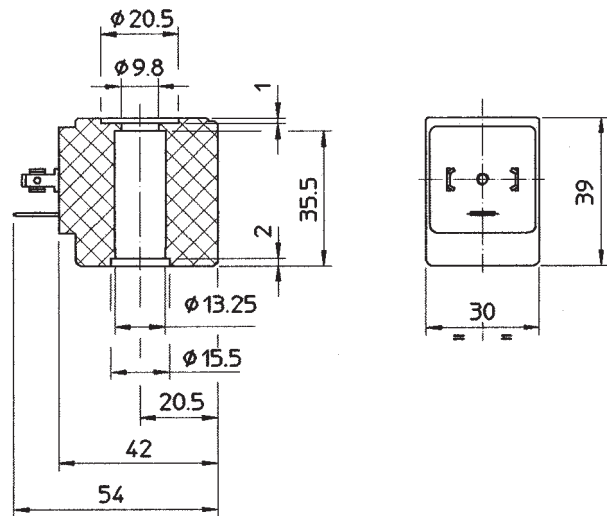
BDA08024AS

÷

BDU08024AW

COIL

- BDA** Molding material: PA - Black polyamide - class F (155°C)
- BDF** Molding material: PPS - Black polyphenylsulphide - class H (180°C)
- BDP** Molding material: PA - Black polyarylamide - high temperature (160°C)
- BDS** Molding material: PA - Black polyamide with anti-humidity impregnation class F (155°C)
- BDU** Molding material: PET - Black Polyester - classe F (155°C)
- Winding: In class H
- Electrical connections: With connector EN 175301-803 paragraph 5.3.1
Protection degree DIN 40050 = IP65



MATERIAL ON STOCK:

Code	Power	Voltages	ED	Approvals
BDA08024AS	8 W	V 24/50Hz	100%	CE - (1)
BDA08024CS	8 W	V 24 D.C.	100%	CE - (1)
BDA08110AS	8 W	V 110/50Hz	100%	CE - (1)
BDA08223DS	8 W	V 220-230/50-60Hz	100%	CE - (1)
BDA16024ES	16 W	V 24/50Hz	50%(2)	CE
BDF08012CU	11 W	V 12 D.C.	100%	CE - UL - CSA
BDF08024BU	8 W	V 24/60Hz	100%	CE - UL
BDF08024CU	11 W	V 24 D.C.	100%	CE - UL - CSA
BDF08110BU	8 W	V 110/60Hz	100%	CE - UL
BDF08220BU	8 W	V 220/60Hz	100%	CE - UL

The "ODE " reserves the right to carry out technical and aesthetic modifications without prior notification.

BDA08024AS

÷

BDU08230AW

COILS 30 mm x Ø 13 mm



Code	Power	Voltages	ED	Approvals
BDP08223DS	8 W	V 220-230/50-60Hz	100%	CE
BDS08223DS	8 W	V 220-230/50-60Hz	100%	CE
BDU08024DW	8 W	V 24/50-60Hz	100%	CE - UL - CSA
BDU08110AW	8 W	V 110/50Hz V 120/60Hz	100%	CE - UL - CSA
BDU08230AW	8 W	V 230/50Hz V 240/60Hz	100%	CE - UL - CSA

NOMINAL VOLTAGES DC + 10% -5%
TOLERANCES: AC + 10% -15%

(1) Available also with **VDE** approval (I.e. code: BDA08024AV).

(2) Standard cycle time 1 minute, for different requirements please contact our commercial offices.
Other voltages and power absorptions available on demand and for quantities.

The "ODE" reserves the right to carry out technical and aesthetic modifications without prior notification.