

DIN rail mounted sockets

PYF 14-ESN/-ESS

Versatile Socket which can be used with the MY2 and MY4 relays

- Rising up terminals, easy labelling and quick connection
- Double terminal numbering
- Operating temperatures -40 to to 85 °C
- Rated current 12A @ 300V
- Insulation voltage > 3kV
- Conforms to relevant International standards
- PYF14-ESS: Output terminals separate from input terminals



Ordering Information

Model	Applicable relays*1
PYF 14-ESN	MY2 / MY4 Relays
PYF 14-ESS	MY2 / MY4 Relays

*1) H3Y timers can also be fitted into these sockets. For information about the timers please refer to appropriate data sheet

Model	Description
PYC-0	Metal spring clip (Used with Relay only)
PYC 35	Plastic holding clip (Used with Relay only)
PYC TR1	Thermoplastic writeable label

Technical Specification

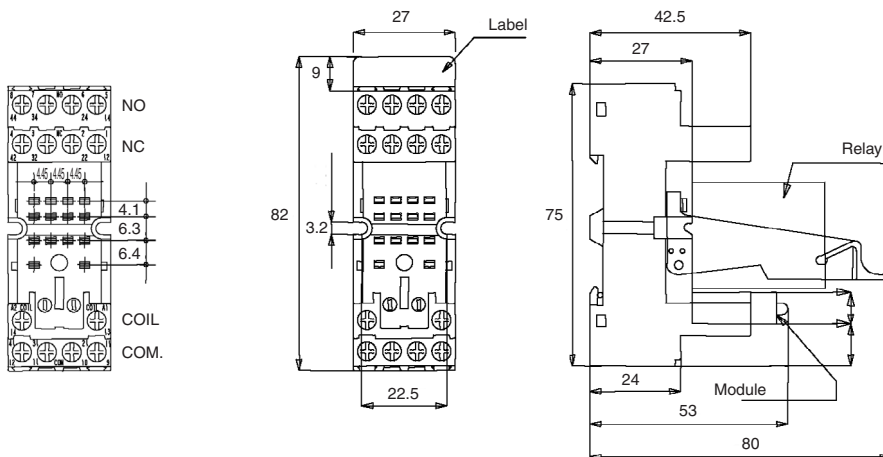
Model	PYF 14-ESN / PYF 14-ESS	
Electrical Data		
Rated Voltage	300V	
Rated current	12A	
Dielectric strength	>3kV	
Insulation resistance	> 5MΩ	
Insulation group	C250 to VDE 0110	
Creepage & clearance distance	Compliant with VDE 0110	
Tracking resistance	500V	
Protection category	IP 20 B (EN60529)	
Thermal Data		
Ambient Temp Specification		
	Operating	-40 °C to +85 °C
	With Thermoplastic Clip	-25 °C to +85 °C
	With Metal clip	-40 °C to +85 °C
Mechanical Data		
Material of socket (body)	Thermoplastic PA 6+GF - V2	
Material of socket (Contact)	Cu Zn 33 (contact surface 5 micron tin plated)	
Material of socket (Terminal)	8 micron zinc plated steel	
Material of socket (screw)	5 micron nickel plated 8.8 steel	
Materials of clips:		
	- PYC-35 (plastic)	Thermoplastic PA 6+GF-V2
	- PYC-0 (metal)	X Cr - Ni Stell
Material of label - PYC-TR1	Thermoplastic PA 6+GF-V2	

Model	PYF 14-ESN / PYF 14-ESS
Max Screw Torque	0.8Nm
Max wire section	
Compact	2 x 2.5mm
Flexible	2 x 2.5mm
Cable end	2 x 1.5mm
Wire strip length	5 to 8mm
Double Terminal Numbering	DIN 46199, IEC67
Mounting	EN 50022 Din rail, Central Screw M4, Board Back or protrude 2 screws M3
Compliance with Standards	
CE, UL, CSA, VDE EN 61984	

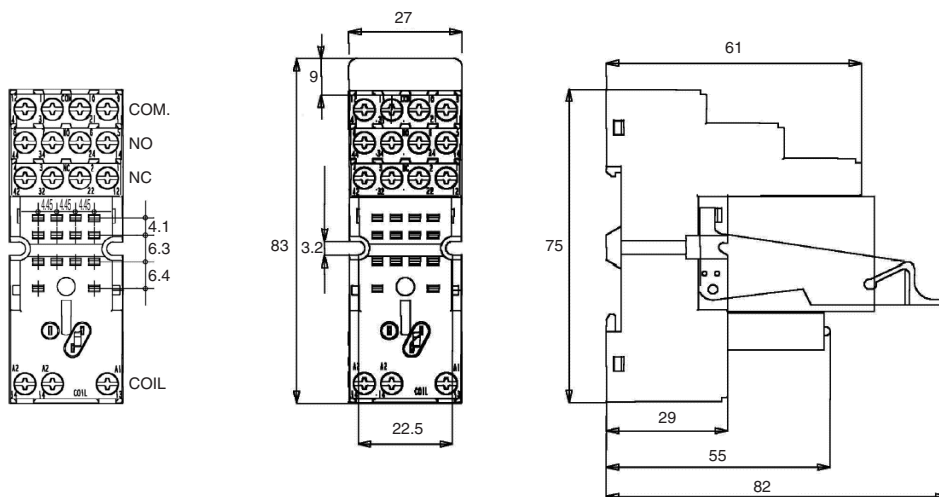
Dimensions

(All units are in millimetres unless otherwise indicated)

PYF 14-ESN



PYF 14-ESS



Cat. No. J01E-EN-01A

In the interest of product improvement, specifications are subject to change without notice.

OMRON EUROPE B.V.

Wegalaan 67-69,
 NL-2132 JD, Hoofddorp,
 The Netherlands
 Phone: +31 23 568 13 00
 Fax: +31 23 568 13 88
 www.eu.omron.com