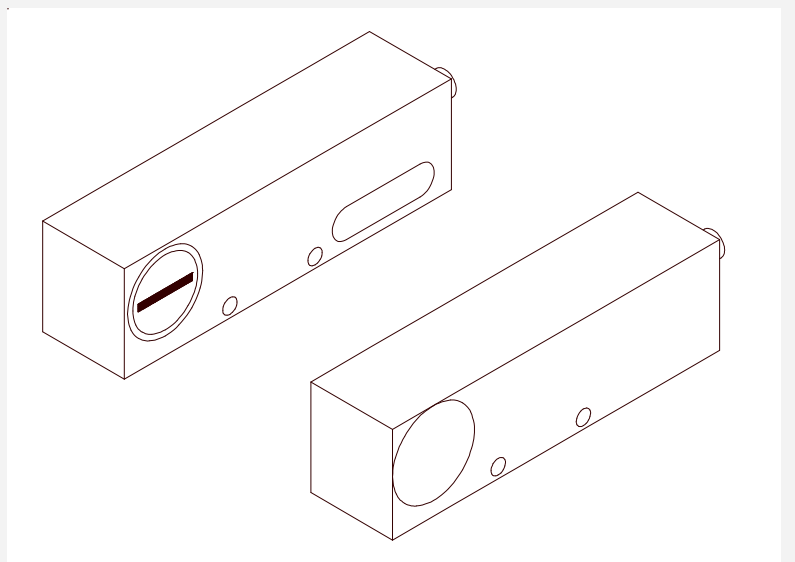


A-LAS Series

▶ A-LAS-24/90

- Can be connected to electronic control units SI-CON4, SI-CON11, SI-CON34, SI-CON84, AGL3, or AGL4
- Various apertures available
- Measuring range up to 16 mm
- Enclosure rating IP67
- Visible red laser light
- Sturdy aluminum housing
- Scratch-resistant optics cover made of glass
- Insensitive to outside light due to interference filter



Design

Product name:

A-LAS-24/90-(aperture AxB)-T (= Transmitter)

A-LAS-24/90-(aperture AxB)-R (= Receiver)

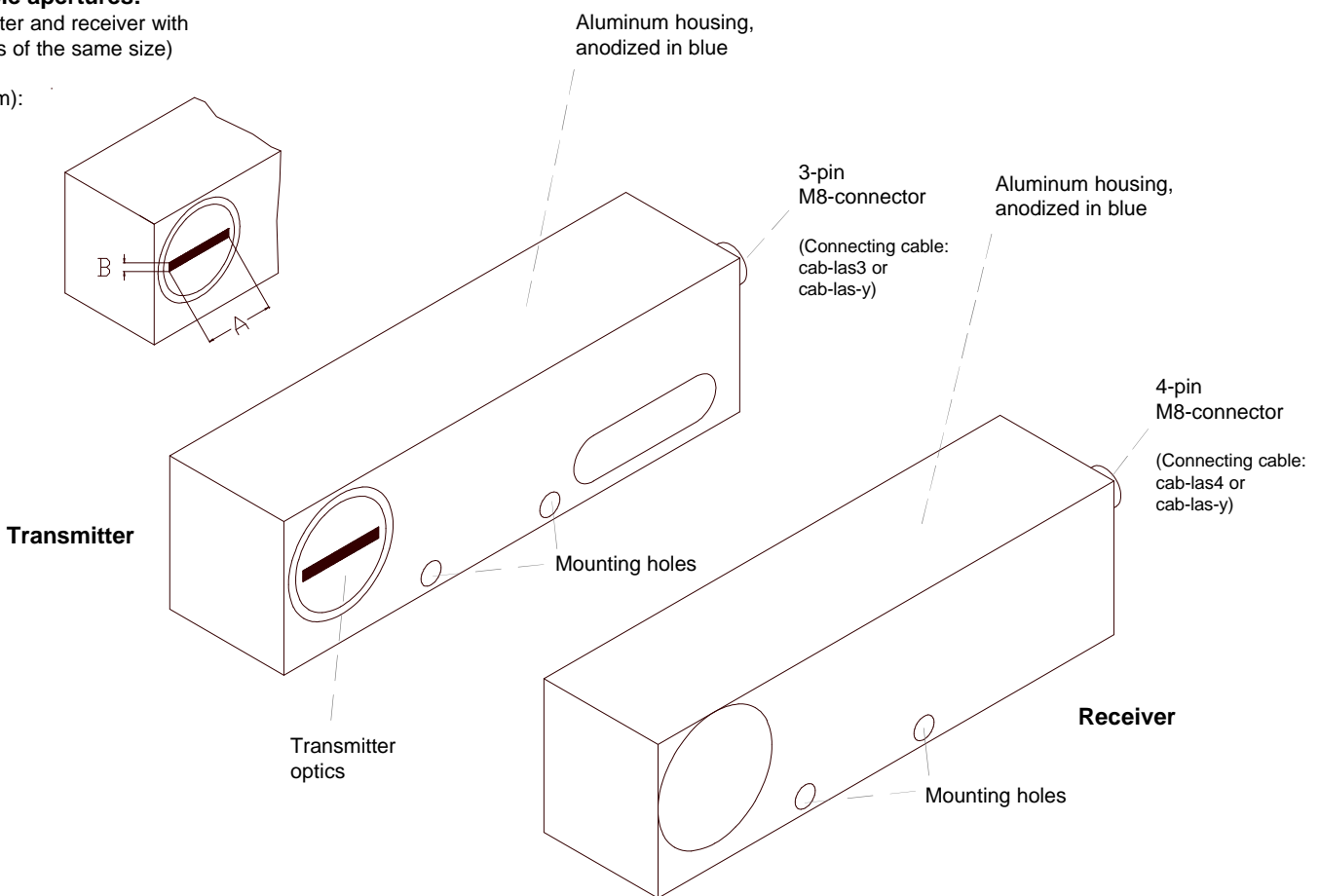
Available apertures:

(transmitter and receiver with apertures of the same size)

AxB (mm):

- 0.2 x 9.5
- 0.3 x 10
- 0.5 x 16
- 1 x 16
- 2 x 16
- 1.5 x 9.5


- 9.5 x 0.2
- 9.5 x 1.5
- 10 x 0.3
- 16 x 0.5
- 16 x 1
- 16 x 2



All dimensions in mm



Technical Data

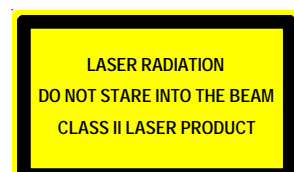
Model	A-LAS-24/90
Laser	Solid state laser, 670 nm, DC-operation, 1 mW max. opt. power, laser class 2 acc. to DIN EN 60825. The use of these laser transmitter therefore requires no additional protective measures.
Max. detecting range	5 m (depends on the aperture used)
Min. detectable object	typ. 0,5% of aperture size (depends on the electronic control unit used)
Reproducibility	typ. 0,2% of aperture size (depends on the electronic control unit used)
Optical filter	Red light filter RG630 and interference filter
Threshold correction	can be activated in connection with SI-CON4 , SI-CON34, or SI-CON84
Voltage supply	Transmitter: +5V, receiver: +12V
Ambient light	up to 5000 Lux (depends on the aperture used)
Sensitivity setting (switching threshold)	via electronic control unit (SI-CON...)
Gain (analog signal)	via electronic control unit (SI-CON...)
Current consumption	Transmitter: 50 mA, receiver: 20 mA
Aperture sizes	16x2, 16x1, 16x0.5, 10x0.3, 9.5x1.5, 9.5x0.2
Current control input (I-CONTROL)	0V ... 5V ; Laser power decreases linearly with voltage increase
Analog output	0V ... 10V , 100 kHz analog band width
Enclosure rating	IP67
Operating temperature range	-20°C ... +50°C
Storage temperature range	-20°C ... +85°C
Housing	Aluminum, anodized in blue
Dimensions	Transmitter and receiver: 96mm x 28mm x 24mm
Connector type	Transmitter: M8 (3-pin), receiver: M8 (4-pin)
EMC-test acc. to	IEC - 801.. 
Connection possibilities	can be connected with AGL3, AGL4, SI-CON4, SI-CON11, SI-CON34, or SI-CON84



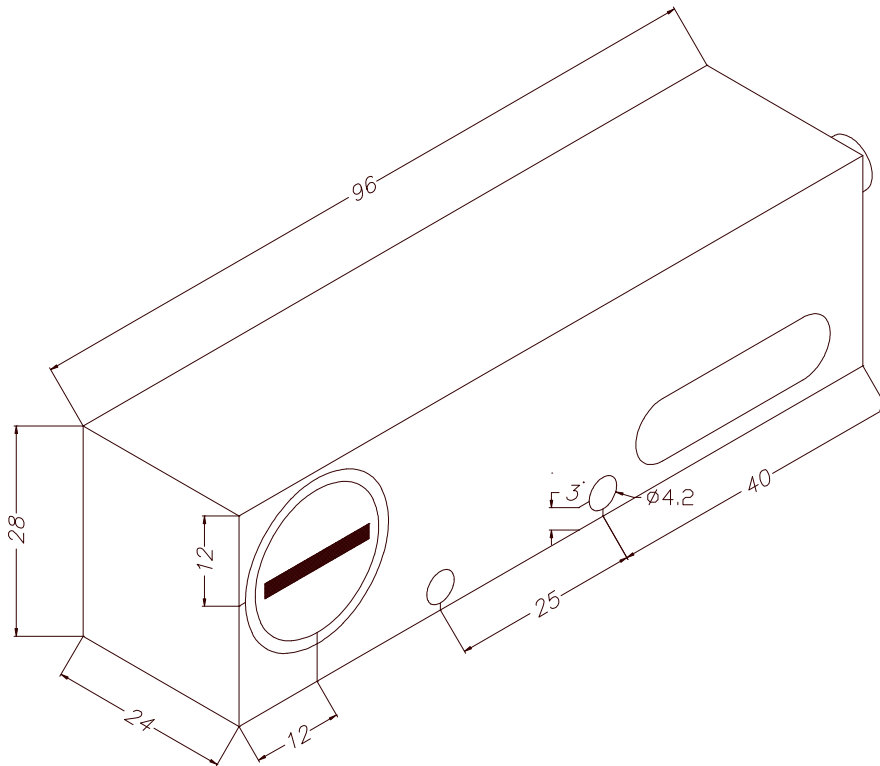
Laser Warning

The transmitters of the laser one-way light barriers of series A-LAS comply with laser class 2 according to EN 60825. The use of these laser transmitters therefore requires no additional protective measures.

The transmitters of the series A-LAS are supplied with a laser warning label.



Dimensions

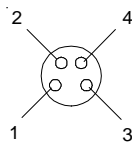


All dimensions in mm

Connector Assignment

4-pin M8-connector:

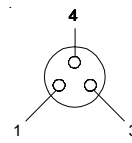
Pin No.:	Assignment:
1	+12 VDC
2	GND (0V)
3	SHIELD
4	ANALOG (0V...+10V)



Connecting cables: cab-las4
or cab-las-y for use with AGL4, SI-CON11, and SI-CON34
or cab-las-y-con84 for use with SI-CON84

3-pin M8-connector:

Pin No.:	Assignment:
1	+5 VDC
3	GND (0V)
4	I-CONTROL (0V...+5V)



Connecting cables: cab-las3
or cab-las-y for use with AGL4, SI-CON11, and SI-CON34
or cab-las-y-con84 for use with SI-CON84



Notes