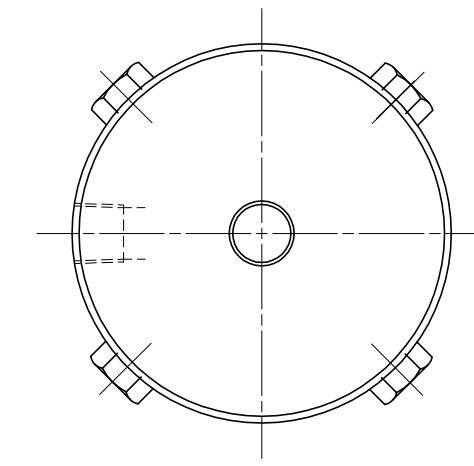
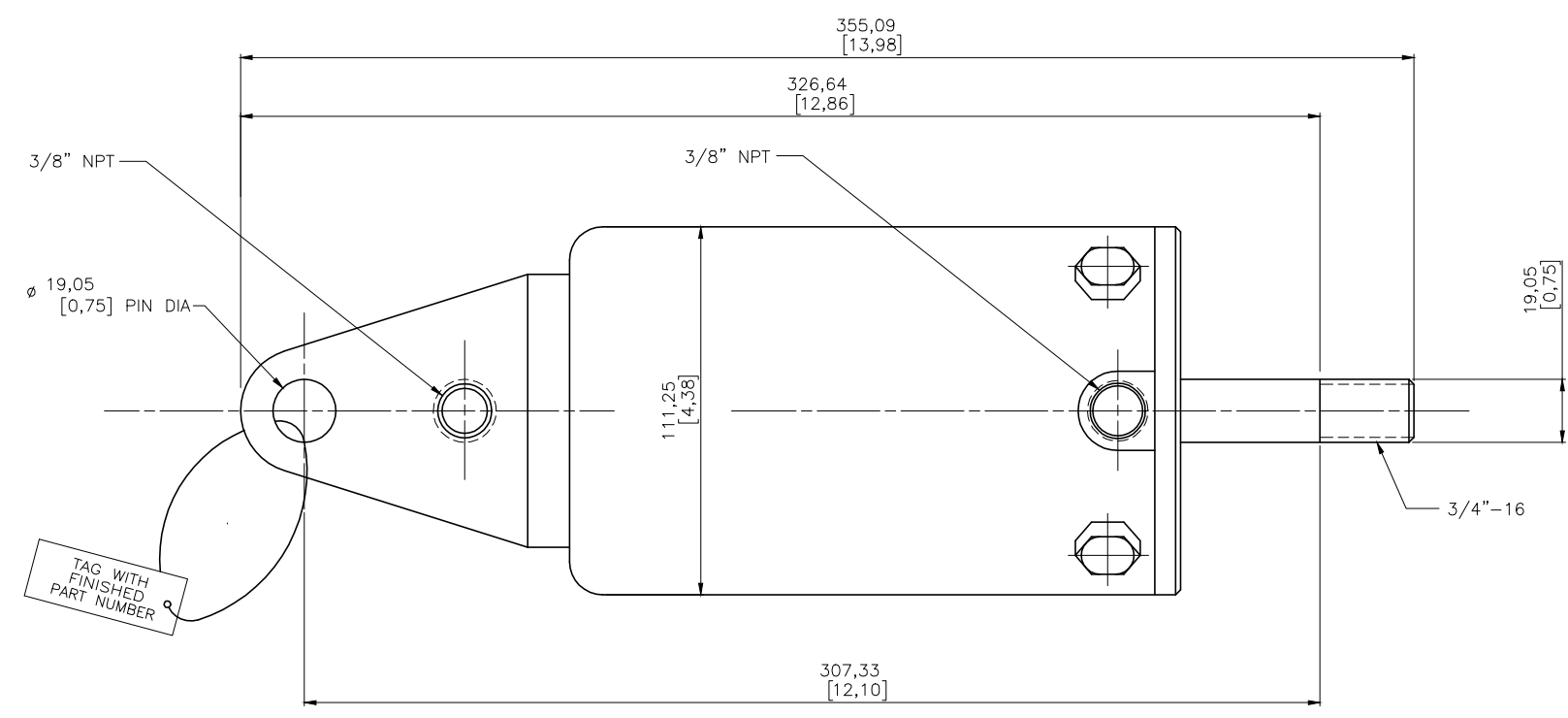


ORDERING INFORMATION:

CYLINDER, AIR "BELLOFRAM CORP."  
 TYPE: D-12-F-SM-CBM, DOUBLE ACTING  
 12 SQ. IN., 3.1" STROKE, SM ROD END

CYLINDER \_\_\_\_\_ # 902032000

©



REFERENCE DRAWINGS:  
 10391181 - BEARING REPAIR KIT  
 10391182 - DIAPHRAGM REPAIR KIT

NOTES:  
 1. DIMENSIONS IN [ ] ARE IN INCHES

DIMENSIONING ACCORDING TO ASME Y14.5M-1994  
 UNLESS OTHERWISE SPECIFIED,  
 ENVELOPE PRINCIPLE APPLIES.  
 ALL DIMENSIONS ARE IN MILLIMETERS.  
 BREAK ALL SHARP EDGES  
 COUNTERSINK ALL TAPPED HOLES TO MAJOR Ø  
 MACHINED SURFACE FINISH 6-3/(ASME Y14.36M)

C		ECN NO. DXYB		Date	Made by	Checked by
Revision		Modification Contents				
Condition		Sub Supplier				
Description 1		Similar To		10247474		
Description 2		CYLINDER , DIAPHRAGM AIR - SIZE 12		Date	Name	
Description 3		Made by		06/23/2007 WRD		
Description 4		Checked by		T.J.L		
Description 5		Approved by		T.J.L		
Description 6		Material		None		
Description 7		Min		6.0		
Description 8		Security Level		KG		
Description 9		Status				
Description 10		Document Type				
Material No.		Version		Scale		1:1
10002117		10002117		Sheet		1
10391183		10391183		No. of Sheets		1
REQUIREMENTS OF THE ABOVE APPLY		13		14		15