

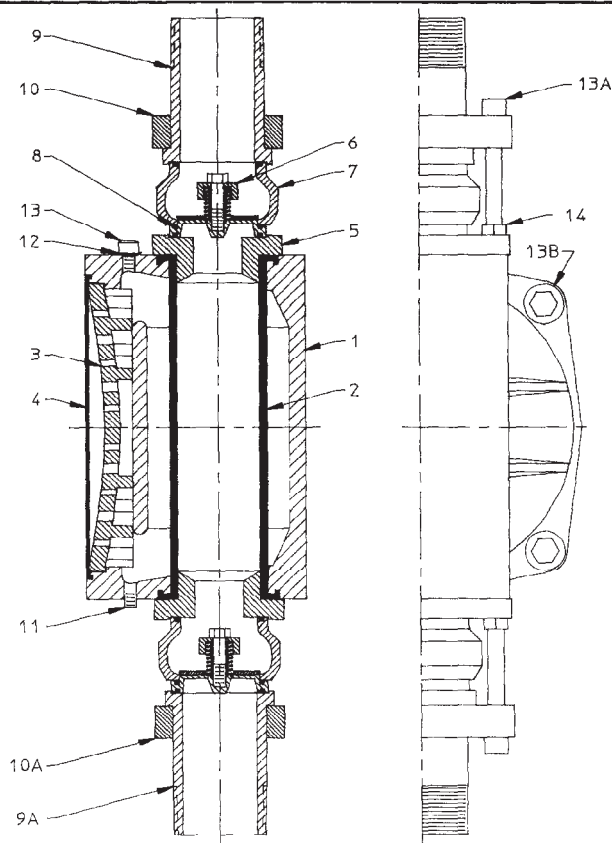
# PULSA SERIES

## PUMP SPECIFICATION SHEET



P.O. BOX 22909  
 ROCHESTER, NEW YORK 14692  
 PHONE: 585-292-8000  
 FAX: 585-424-5619

<b>CUSTOMER</b> SHANGHAI SCIENTIFIC EQUIPMENTS				<b>SERIAL NO.</b> N638198-9-16		<b>DATE</b> 4/23/2007		
<b>MODEL NO.</b> 7660H-S-E SIMPLEX - MANUAL CONTROL (PULSA SERIES MODEL 7660 TUBE DIAPHRAGM)				<b>MULTIPLEX HEAD</b> 8		<b>QUANTITY</b> 8		
<b>CUSTOMER PURCHASE ORDER NO.</b> SY20070330				<b>CUSTOMER ITEM NUMBER</b>				
<b>ITEM NUMBER</b> PGBCGRAECCB0007		<b>KOPKIT NUMBER</b> KPGBCGRAECC		<b>DIM DWG NUMBER</b>		<b>FLOW CURVE NUMBER</b>		
<b>J O B</b>	<b>PRODUCT</b> *NOT SUPPLIED			<b>FLOW (MAX)</b>		<b>FLOW (MIN)</b>		
	<b>PUMPING TEMPERATURE</b>		<b>OPERATING PRESSURE</b>		<b>SPECIFIC GRAVITY</b>		<b>SOLIDS CONCENTRATION</b>	
	<b>VAPOR PRESSURE @ PUMPING TEMP</b>		<b>SUCTION PRESSURE</b>		<b>VISCOSITY</b>		<b>SOLIDS SIZE</b>	
<b>C O N D</b>	<b>COMMENTS</b>							
	<b>RATED CAPACITY</b> 1,787.800 LPH		<b>VALVE TYPE</b> DISC		<b>GEAR RATIO</b> 12:1		<b>PISTON SIZE</b> 3.0 INCH	
	<b>RATED PRESSURE</b> 8.300 BARS		<b>SUCTION VALVE QTY</b> 1		<b>SUCTION VALVE SIZE</b> 2.5 INCH		<b>STROKE LENGTH</b> 2.4 INCH	
<b>S P E C S</b>	<b>HYDRAULIC BYPASS VALVE SETTING</b> 9.000 BARS		<b>DISCHARGE VALVE QTY</b> 1		<b>DISCHARGE VALVE SIZE</b> 2.5 INCH		<b>STROKE RATE</b> 116 SPM	
	<b>SUCTION CONNECTION TYPE</b> NPT			<b>SUCTION CONNECTION SIZE</b> 2.500 IN		<b>SUCTION CONNECTION FLANGE</b>		
	<b>DISCHARGE CONNECTION TYPE</b> NPT			<b>DISCHARGE CONNECTION SIZE</b> 2.500 IN		<b>DISCHARGE CONNECTION FLANGE</b>		
<b>M A T L</b>	<b>VALVE</b> 316		<b>VALVE &amp; CAP GASKETS</b> TFE - TEFLON (VIRGIN)			<b>VALVE CAP &amp; GUIDE</b> 316		
	<b>VALVE SEAT</b> 316		<b>REAGENT HEAD</b> DI - DUCTILE IRON			<b>R.H. &amp; T.B. HARDWARE</b> NONE REQUIRED		
	<b>DIAPHRAGM</b> HYP - HYPALON (ELASTOMER)		<b>DIAPHRAGM TYPE</b> H - HYDRATUBE			<b>DIAPHRAGM GASKET</b> NONE REQUIRED		
	<b>INTERMEDIATE FLUID</b> A - ETHYLENE GLYCOL & WATER							
<b>L E A K</b>	<b>TYPE</b>				<b>RELAY #</b>			
	<b>COMMENTS</b>							
<b>F E A T</b>	<b>REMOTE HEAD</b>							
	<b>HYPO SYSTEM VOLTAGE</b>				<b>SPECIAL OPTIONS</b>			
	<b>ADDITIONAL OPTIONS/FEATURES</b>							
<b>C O N T R O L S</b>	<b>TYPE</b> MANUAL STROKE ADJUSTMENT 0-100% OF RATED CAPACITY				<b>ITEM #</b>		<b>SERIAL #</b>	
	<b>VOLTAGE</b>		<b>CABLE LENGTH</b>		<b>ENGINEERING #</b>		<b>WIRING #</b>	
	<b>OP STATION - PART NO.</b>			<b>OP STATION - INST DWG #</b>			<b>OP STATION - WIRING #</b>	
	<b>COMMENTS</b>							
<b>D R I V E</b>	<b>MOTOR INFO</b> LESS MOTOR; SUPPLY BASE, COUPLING & GUARD							
	<b>HP</b>		<b>KW</b>		<b>VOLTAGE</b>		<b>HZ</b> 50	
	<b>PHASE</b>		<b>CURRENT</b>		<b>RPM</b> 1450		<b>FRAME</b> 145T	
	<b>MANUFACTURER</b>			<b>MOTOR NO.</b>			<b>ENCLOSURE</b>	
<b>COMMENTS</b>								
<b>P A I N T</b>	<b>SURFACE PREP</b>			<b>TOP COAT</b> STANDARD EPOXY-GREEN			<b>INTERMEDIATE COAT</b>	
	<b>SPECIAL INFORMATION</b>							
<b>T E S T</b>	<b>HYDROSTATIC:</b> NO		<b>CALIBRATION:</b> NO		<b>PMI:</b> NO		<b>RADIOGRAPHIC:</b> NO	
	<b>API 675 STDS APPLY:</b> NO		<b>API 675 + 4.3.3.4:</b> NO		<b>API TEST ONLY:</b> NO		<b>PREP FOR 6M STORAGE:</b> NO	
	<b>MILL (MATL) CERTS:</b> NO		<b>LIQUID PENETRANT:</b> NO		<b>INSPECTION REQUIRED:</b> NO		<b>PICKLE &amp; PASSIVATION:</b> NO	
	<b>WITNESSED:</b> NO		<b>OTHER INFO:</b>					
<b>C O M M E N T S</b>	140SPM & 567GPH @ 60HZ							
	1787.8LPH = 472.311GPH 8.3BARS = 120PSIG 9.0BARS = 130.536PSIG							



**SECTION 'A'**

DISH/TUBE SIZE = R/4

CROSS SECTION  
'A'

SELECT PART NUMBER  
BY THE DIAMETER OF  
THE PISTON ASSEMBLY  
IN YOUR PUMP

ADD PART NUMBER SUFFIX  
FROM THE COLUMN COVERING  
MATERIAL OR DESIGN OF PART  
IN CONTACT WITH PRODUCT

ITEM	PART NAME	QTY	CROSS SECTION 'A'			
			2 50,3 00, 3 25,3 50	316SS	#20SS	H <sub>2</sub> SO <sub>4</sub>
1	HYDRATUBE HOUSING	1	W096319	-000	-000	-000
* 2	HYDRATUBE	1	W096317	-HYP	-HYP	-VTN
3	INSERT DISH PLATE	1	W096321	-000	-000	-000
* 4	DIAPHRAGM	1	W096323	-NTR	-NTR	-NTR
5	HYDRATUBE ADAPTOR	2	W204957	-316	-020	-316
* 6	DISC VALVE ASSEMBLY	2	W204815	-316	-001	-HS0
7	VALVE CONNECTOR	2	W204776	-316	-020	-316
* 8	O RING	6	W202966	-TFE	-TFE	-TFE
9	VALVE CAP	1	W202947	-316	-020	-316
9A	VALVE CAP	1	W202947	-316	-020	-316
10	TIE BAR	1	W096325	-000	-000	-000
10A	TIE BAR	1	W096325	-000	-000	-000
11	PIPE PLUG	1	W772565	-STL	-STL	-STL
* 12	GASKET	1	W096477	-000	-000	-000
13	CAP SCREW	1	W770051	-STA	-STA	-STA
13A	CAP SCREW	4	W770082	-STA	-STA	-STA
13B	CAP SCREW	4	W770115	-STA	-STA	-STA
14	HEX HEAD BOLT	4	W770438	-STL	-STL	-STL
15	COMPLETE REAGENT HEAD ASSEMBLY CONSISTING OF ALL OF THE ABOVE COMPONENTS PREASSEMBLED	1	W204956 SEE NOTE 1	-316	-020	-HS0

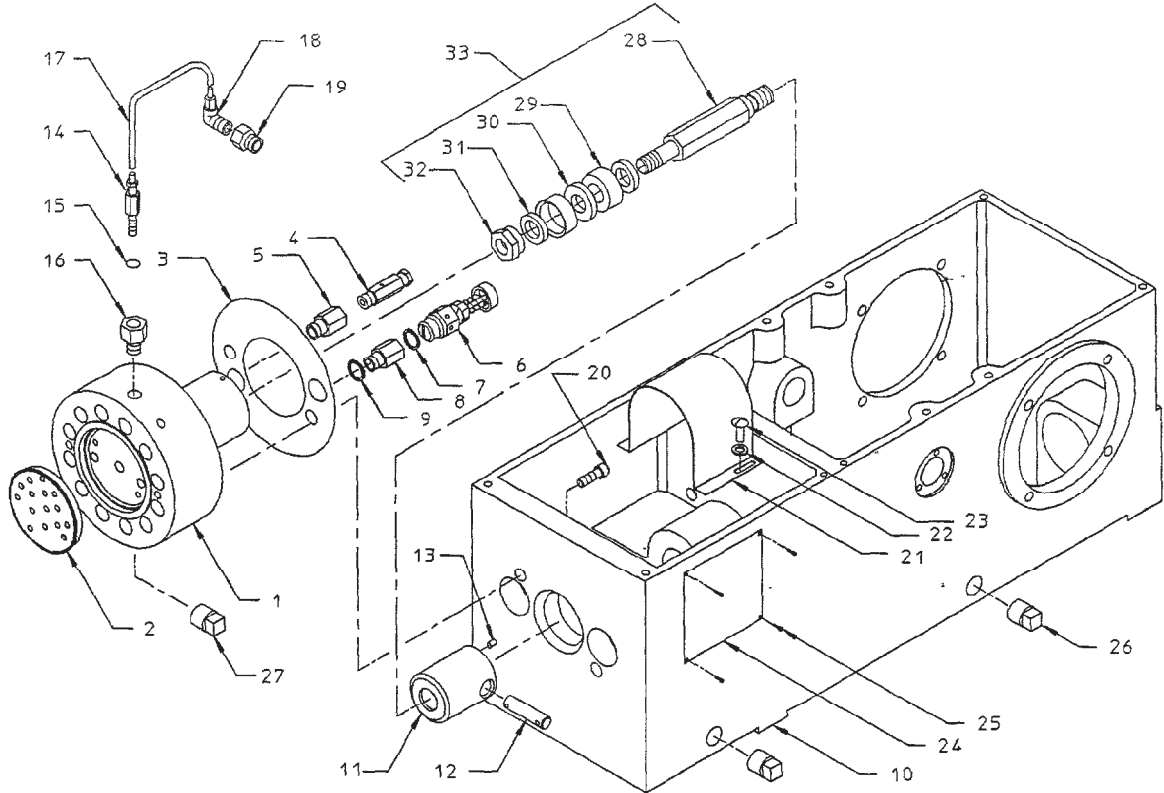
\* DENOTES DESIGNATED KOPKIT ITEMS

NOTES 1 ) REQUIRED FOR FLOWS GREATER THAN 375 GPH

ALL DIMENSIONS ARE IN INCHES  
**PULSA Series** **PULSAFEEDER**  
A Unit of IDEX Corporation

MODEL 7660 ELASTOMER HYDRATUBE REAGENT HEAD ASSEMBLY METAL HEAD AND VALVE

SECTION/PAGE	7660/131	EFFECTIVE	01/01/93	DWN BY	MJP
REF	REVISION UPDATE	DATE	SUPSEDES	DATE	10/09/90
			09/18/84		AP00239



SELECT PART NUMBER THAT RELATES TO THE DIAMETER OF THE PISTON IN YOUR PUMP

ITEM	PART NAME	QTY	SELECT PART NUMBER THAT RELATES TO THE DIAMETER OF THE PISTON IN YOUR PUMP					
			2 50 DIA RATED DISCH 170 PSIG	3 00 DIA RATED DISCH 120 PSIG	3 25 DIA RATED DISCH 100 PSIG	3 50 DIA RATED DISCH 90 PSIG	4 00 DIA RATED DISCH 70 PSIG	4 50 DIA RATED DISCH 55 PSIG
1	PUMP HEAD SUB ASSEMBLY	1	W208172-020	W208172-024	W208172-026	W208172-028	W208172-032	W208172-036
2	DISH PLATE	1	W096321-000	W096321-000	W096321-000	W096321-000	W096321-000	W203908-000
*3	PUMP HEAD GASKET	1	W204813-000	W204813-000	W204813-000	W204813-000	W209091-000	W209091-000
4	HYDRAULIC BY-PASS VALVE ASSEMBLY ( 40- 170 PSIG)	1	W203375-A00	W203375-A00	W203375-A00	W203375-A00	-----	-----
	HYDRAULIC BY-PASS VALVE ASSEMBLY ( 40- 100 PSIG)	1	-----	-----	-----	-----	W035347-C00	W035347-C00
5	HYDRAULIC BY-PASS VALVE ADAPTOR	1	W771450-MIR	W771450-MIR	W771450-MIR	W771450-MIR	-----	-----
6	HYDRAULIC MAKE-UP VALVE ASSEMBLY	1	W034229-A00	W034229-A00	W034229-A00	W034229-A00	W034229-A00	W034229-A00
7	GASKET,HMV (COMPONENT OF ITEM 6)	1	W036290-CU0	W036290-CU0	W036290-CU0	W036290-CU0	W036290-CU0	W036290-CU0
8	HYDRAULIC MAKE-UP VALVE ADAPTOR	1	W037232-000	W037232-000	W037232-000	W037232-000	W037232-000	W037232-000
9	GASKET,HMV ADAPTOR	1	W036290-CU0	W036290-CU0	W036290-CU0	W036290-CU0	W036290-CU0	W036290-CU0
10	GEARBOX	1	W204735-000	W204735-000	W204735-000	W204735-000	W209090-000	W209090-000
11	CROSS HEAD	1	W034178-000	W034178-000	W034178-000	W034178-000	W034178-000	W034178-000
12	PIN	1	W034186-000	W034186-000	W034186-000	W034186-000	W034186-000	W034186-000
13	SET SCREW	1	W771004-017	W771004-017	W771004-017	W771004-017	W771004-017	W771004-017
14	AIR BLEED VALVE ASSEMBLY	1	W208383-000	W208383-000	W208383-000	W208383-000	W208383-000	W208383-000
15	GASKET,ABV(COMPONENT OF ITEM 14)	1	W032575-CU0	W032575-CU0	W032575-CU0	W032575-CU0	W032575-CU0	W032575-CU0
16	AIR BLEED VALVE ADAPTOR	1	W053396-000	W053396-000	W053396-000	W053396-000	W053396-000	W053396-000
17	TUBING (FT)	3	W773963-005	W773963-005	W773963-005	W773963-005	W773963-005	W773963-005
18	TUBE FITTING	1	W772603-001	W772603-001	W772603-001	W772603-001	W772603-001	W772603-001
19	REDUCING BUSHING	1	W773965-007	W773965-007	W773965-007	W773965-007	W773965-007	W773965-007
20	CAP SCREW	2	W770071-STA	W770071-STA	W770071-STA	W770071-STA	W770071-STA	W770071-STA
21	CROSS HEAD GUARD	1	-----	-----	-----	-----	W209233-000	W209233-000
22	ROUND HEAD SCREW	2	-----	-----	-----	-----	W771001-009	W771001-009
23	FLAT WASHER	2	-----	-----	-----	-----	W771006-STL	W771006-STL
24	NAME PLATE	1	W204759-000	W204759-000	W204759-000	W204759-000	W204759-000	W204759-000
25	DRIVE SCREW	4	W771000-188	W771000-188	W771000-188	W771000-188	W771000-188	W771000-188
26	PIPE PLUG	2	W772568-STL	W772568-STL	W772568-STL	W772568-STL	W772568-STL	W772568-STL
27	PIPE PLUG	1	-----	-----	-----	-----	W772565-STL	W772567-STL
28	PISTON ROD	1	W057546-000	W057546-000	W057546-000	W205041-000	W209085-000	W209085-000
*29	PISTON SEAL	2	W035131-000	W034859-000	W094502-000	W089511-000	W056357-000	W203923-000
30	SPACER	1	W036058-000	W035172-000	W096552-000	W089508-000	W056358-000	W203926-000
31	EXPANDER	2	W036057-000	W035173-000	W096551-000	W089509-000	W056359-000	W203924-000
32	NUT	1	W055147-000	W055147-000	W055147-000	W054520-000	W055147-000	W055147-000
33	PISTON ASSEMBLY	1	W061262-000	W057545-000	W200514-000	W205042-000	W209069-000	W209070-000

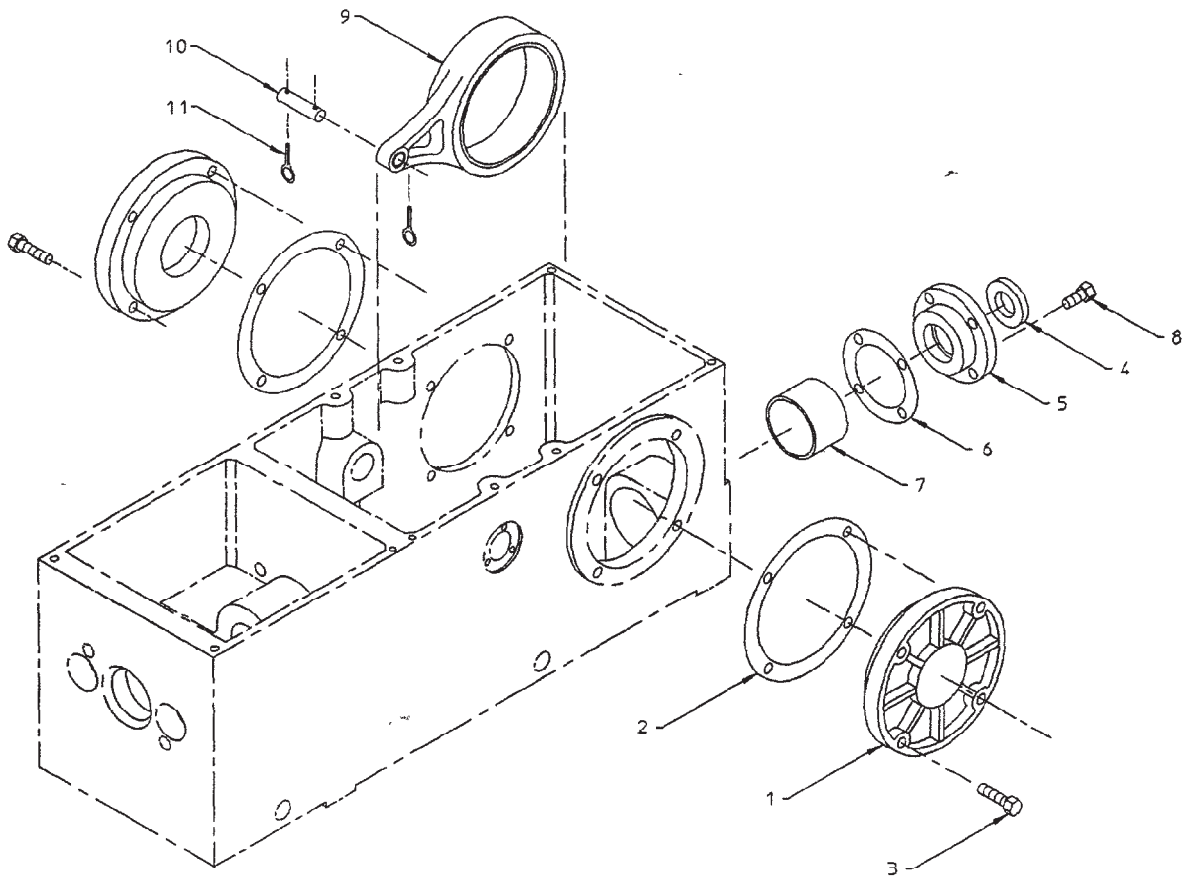
\* DENOTES DESIGNATED KOPKIT ITEMS

NOTE ITEMS 24 AND 25 ARE SHOWN ON THIS SIDE OF PUMP FOR CLARITY

ALL DIMENSIONS ARE IN INCHES  
**PULSA Series** **PULSAFEEDER**  
 A Unit of IDEX Corporation

MODEL 7660 FL PLSTC & HYDRATUBE  
 PUMP HEAD/PISTON ASSEMBLY

SECTION/PAGE	7660/203	DWN BY	CLA	AP00161
EFFECTIVE	12/01/97	DATE	06/08/90	
UPDATE PARTS LIST	10/14/97	SUPERSEDES	12/02/94	
REF	REVISION UPDATE	DATE		



ITEM	PART NAME	QTY	PART NUMBER
1	BEARING CAP - ECCENTRIC	2	W204183-000
2	SHIM PACK - ECCENTRIC	1	W204763-000
3	HEX HEAD BOLT	8	W770426-STL
* 4	OIL SEAL	1	W204769-000
5	BEARING CAP - WORM	1	W204784-000
6	SHIM PACK - WORM	1	W204764-000
7	SPACER	1	W204694-000
8	HEX HEAD BOLT	4	W770425-STL
9	CONNECTING ROD ASSEMBLY	1	W204744-000
10	CONNECTING ROD PIN	1	W034185-000
11	COTTER PIN	2	W771207-001
12	COMPLETE GEAR RATIO COMMON PARTS ASSEMBLY CONSISTING OF ITEMS 1-9	1	W208146-000

\*DENOTES DESIGNATED KOPKIT ITEM

NOTE ITEMS 10 AND 11 ARE PART OF THE CONTROLS COMMON PARTS ASSEMBLY BUT ARE SHOWN IN THIS ASSEMBLY FOR CLARITY

ALL DIMENSIONS ARE IN INCHES

**PULSA Series** **PULSAFEEDER**  
A Unit of IDEX Corporation

MODEL 7660 SIMPLEX  
GEAR RATIO ASSEMBLY  
COMMON PARTS

SECTION/PAGE	7660/500	DWN BY:	MJP
EFFECTIVE	12/01/97	DATE:	10/31/90
SUPERSEDES	01/01/93		AP00245
UPDATE PARTS LIST	10/10/97		
REF	REVISION UPDATE	DATE	