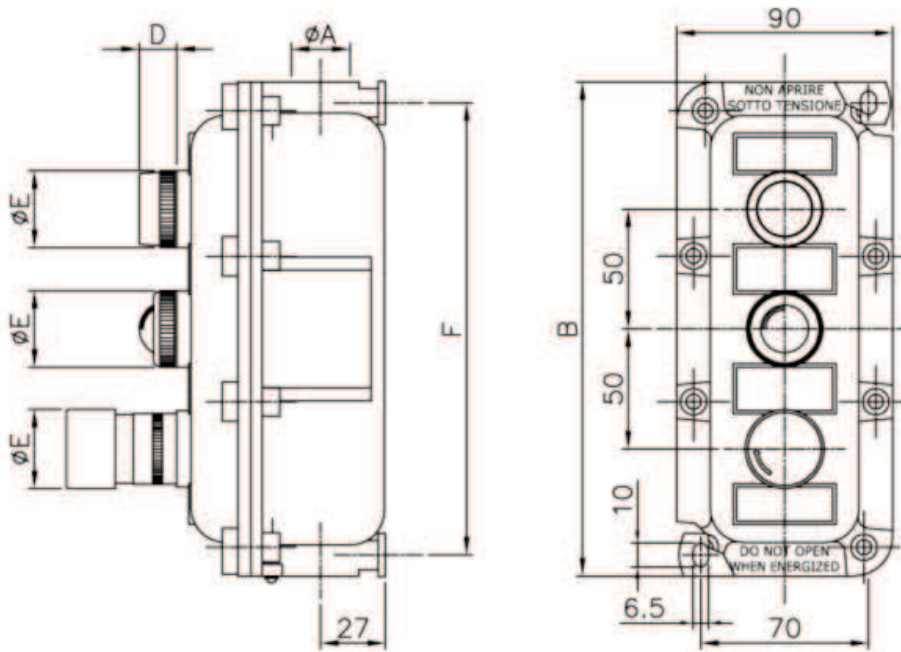


# LOCAL CONTROL STATIONS

series  
**PB**



Enclosure	Elements	Cable Entries		B	C	F	Enclosure weight (g)
		ØA	n				
PB1	1	3/4" NPT	2	106	87	86	480
PB2	2	3/4" NPT	2	156	87	136	685
PB3	3	3/4" NPT	2	206	87	186	890
PB4	4	1" NPT	2	256	82	236	1520

Element	Symbol	Dimensions (mm)		Contacts	Weight (g)
		D	ØE		
START pushbutton	1	16	32	1NO	90
STOP pushbutton	0	16	32	1NC	90
Lighting START pushbutton	1R-1B-1V-1G-1A	16	32	1NO	130
Lighting STOP pushbutton	0R-0B-0V-0G-0A	16	32	1NC	130
Mushroom type push button with spring return	5	30	50	1NO+1NC	100
Key switch 1-2 poles (pos. 0-1)	7/1-7/2	60	30	-	400
Two position key changeover switch 1-2 poles (pos. 1-2)	7/1D - 7/2D	60	30	-	400
Three position key changeover switch 1-2 poles (pos. 1-0-2)	7/1C - 7/2C	60	30	-	400
Triangular Key switch 1-2 poles (pos. 0-1)	9/1-9/2	50	41	-	370
Two position triangular key changeover switch 1-2 poles (pos. 1-2)	9/1D - 9/2D	50	41	-	370
Three position triangular key changeover switch 1-2 poles (pos. 1-0-2)	9/1C - 9/2C	50	41	-	370
Mushroom type push button with locking	8	30	50	1NO+1NC	100
Mushroom type push button with rotary locking	8R	58	33	1NO+1NC	180
Mushroom type push button with locking and keylock	8K	58	33	1NO+1NC	180
Pilot light	R-B-V-G-A	16	32	-	130
Switch 1-2 poles (pos. 0-1)	I1-I2	22	32	-	300
Two way changeover switch 1-2 poles (pos. 1-2)	D1-D2	22	32	-	300
Three way changeover switch 1-2 poles (pos. 1-0-2)	C1-C2	22	32	-	300
Potentiometer control (single turn) (*)	P	16	15	-	-
Potentiometer control (multiturn) (*)	PM	18	35	-	-

### Example: PB 4 108RR

Order Coding

Type	Enclosure Size	Code of installed elements (max. 4) see table above	Threading
<b>PB</b>	<b>1</b> = 1 element	<b>1</b> = START pushbutton	<b>N</b> = NPT (std.)
	<b>2</b> = 2 elements	<b>0</b> = STOP pushbutton	<b>M</b> = Metric
	<b>3</b> = 3 elements	<b>8R</b> = mushroom type pushbutton with rotary locking	
	<b>4</b> = 4 elements	<b>R</b> = RED pilot light	