

Diode Module stack

## SEMISTACK® CLASSICS - B6U

Three phase uncontrolled rectifier

### Preliminary data

Ordering No. 08785128

Description SKS 91N B6U 60 V16

### Features

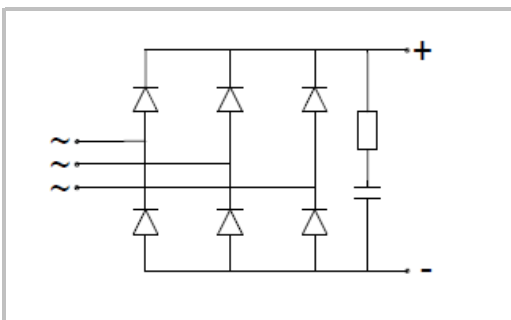
- Isolated power stacks
- SKKD 100/16
- Heatsink P3/180
- Natural cooling
- RC circuit included

### Typical Applications

- Power supplies
- Rectifier for AC/DC motor control

### Remarks

This technical information specifies semiconductor devices but promises no characteristics. No warranty or guarantee, expressed or implied, is made regarding delivery, performance or suitability.

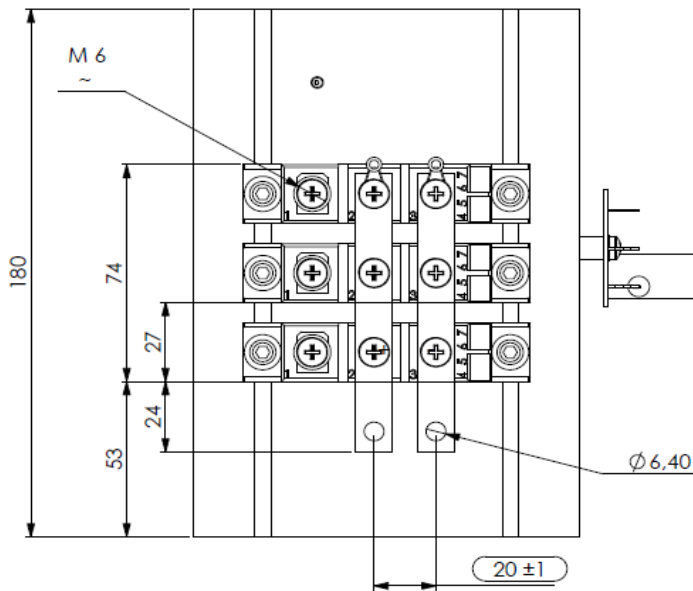
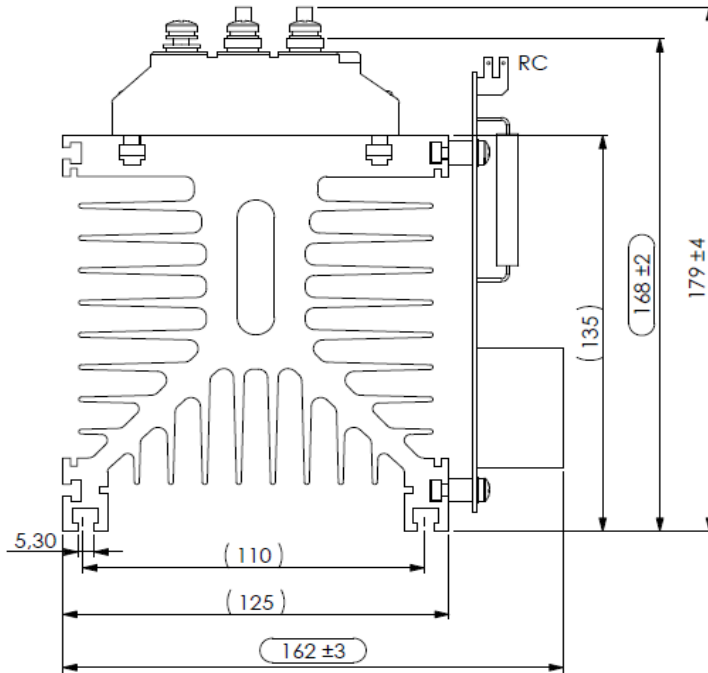


B6U

Electrical Characteristics						
Symbol	Conditions		min	typ	max	Unit
Electrical Data						
$I_D$	Maximum DC current	$T_{AMBIENT} = 45^{\circ}C$ ; No overload		91		A
$V_{AC}$	Maximum AC voltage (+/-10%)			500		$V_{AC}$
$V_{BUS}$	DC Bus voltage			670		$V_{DC}$
$P_{TOTAL}$	Maximum stack power			60		kW
$P_{LOSS}$	Stack power loss ( $T_{AMBIENT} = 45^{\circ}C$ )					W

Environmental Data						
Symbol	Conditions		min	typ	max	Unit
Mechanical Data						
Drawing	SEMIKRON document number.revision.version			12100912.00		-
Weight	Approximate total weight			3.7		kg
Altitude	Installation altitude without derating				1 000	m
Protection	IEC 60529			IP00		-
Pollution degree	EN 50178			2		-

Stack Protection						
Symbol	Conditions		min	typ	max	Unit
RC Circuit						
Type	RC in parallel with bridge rectifier			1/2 RC15B		-
R	Resistance (11W)			68		Ohm
C				0.1		$\mu F$



Dimensions

This technical information specifies semiconductor devices but promises no characteristics. No warranty or guarantee expressed or implied is made regarding delivery, performance or suitability.