



- Under and Over Voltage and Frequency Protection
- Adjustable Voltage and Frequency Deviation Set points
- “Pathfinder” function
- Optional very fast analogue output (<50mS), (F-versions)

Specifications

Auxiliary Voltage:	100-120, 200-240, 380-415 440-460 or 480VAC 40-70Hz (Fuse 2A)	
Optional Aux. Voltage:	24, 48 or 110VDC (Fuse 0,5A)	
Contact Rating:	AC: 100VA - 250V/2A max. DC: 50W - 100V/1A max.	
Adjustments:	Trip level:	Trip delay:
U/V:	0/-20% of V nom	0,1-30 secs
O/V:	0/+20% of V nom	
U/Hz:	45-65Hz	0,1-30 secs
O/Hz:	45-65Hz	
C-versions	(KPFV51C & KPFV51CF)	
Hysteresis:	Fixed to 1%	
Analogue Output:	Up to 20mA, max 500R (only on F-versions) Up to 10V, min 100kohm (other on request)	
Scale:	45-55Hz, 55-65Hz or 45-65Hz	
Temperature:	-20 to +70°C	
Weight:	0.6kgs	
Front protection:	IP52 (IP65 optional)	

Description

KPFV51x is for use on single phase systems. KPFV51x provides precision monitoring of frequency and line voltage on any generator system. When trip delays are set to zero (0,1sec) operation corresponds with G59 requirements.

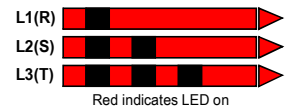
True RMS measurement not affected by heavily distorted waveforms provides highest up precision (1.0%) protection. User settable trip levels and delays. Colour of LEDs indicates alarm status. LEDs flash during count-down.

Less than 50mS short circuit detection. R1 (under & over frequency) and R2 (under & over voltage) activates when set level is exceeded and time delay has elapsed. R3 activates when R1 or R2 is activated and can be used as a common alarm.

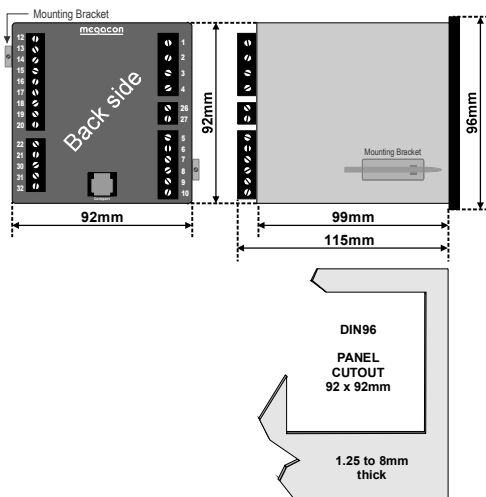
The F-versions have an fast response mA output signal proportional to the Hz range.

Pathfinder Function

The "Pathfinder" function identifies the phase(s) causing the trip by the flashing pattern of the relevant LED(s).



Dimensions



KPFV51C & KPFV51CF

	Volt	Hz	Fail safe	Latch
R1		✓		✓
R2	✓		✓	✓
R3	✓	✓		✓

KPFV51D & KPFV51DF

	Volt	Hz	Fail safe	Latch
R1		✓		
R2	✓		✓	
R3	✓	✓		

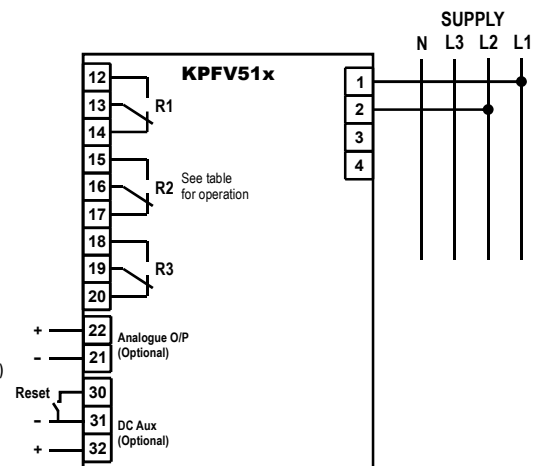
KPFV51D2 & KPFV51D2F

	Volt	Hz	Fail safe	Latch
R1		✓		
R2	✓			
R3	✓	✓	✓	

KPFV51E & KPFV51F (KPFV51E is the standard version)

	Volt	Hz	Fail safe	Latch
R1		✓		✓
R2	✓		✓	✓
R3	✓	✓	✓	✓

Relays shown de-energised. R2 is fail-safe and energises when unit is powered.



The unit meets IEC60092-504 and the relevant environmental and EMC tests specified in IEC60068/60092 and IEC61000/60533 respectively, to comply with the requirements of the major Classification Societies.

The MEGAICON policy is one of continuous improvement, consequently equipment supplied may vary in detail from this publication.

ORDERING EXAMPLE:
 Type : KPFV51F
 Aux. Supply : 200-240V
 V nom : 230V
 Hz range : 45-65Hz
 Analogue output : 4-20mA

