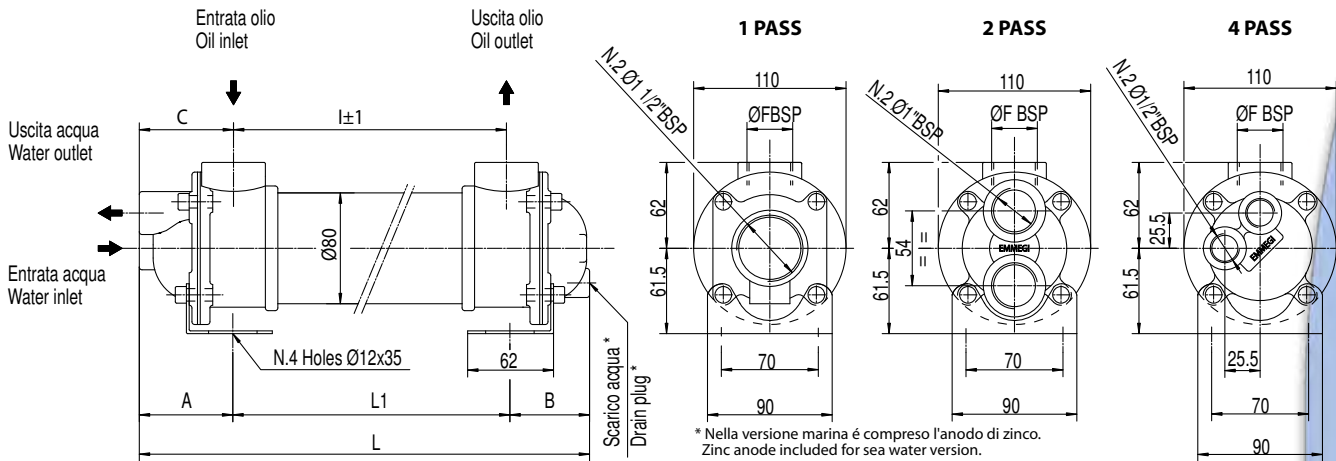


Scambiatori acqua-olio serie MG80

Water-oil heat exchangers series MG80

Con circuito acqua ispezionabile a uno-due-quattro passaggi. One-two-four ways controllable water circuit



Le dimensioni e le caratteristiche tecniche non sono impegnative. Over-all dimension and technical characteristics are not binding.

TIPO TYPE	TUBI TUBES	PIASTRA TUBIERA TUBES SHEET	DEFLETTORI BAFFLES	FONDI COVERS	MANTELLO SHELL	GUARNIZIONI SEALS
STANDARD	CuDHP	CuZn40	CuZn37	CuZn40	Fe510.2	Rubber-cork
SEA WATER	CuNi10Mn1Fe	CuZn40	CuZn37	CuZn40	Fe510.2	Rubber-cork

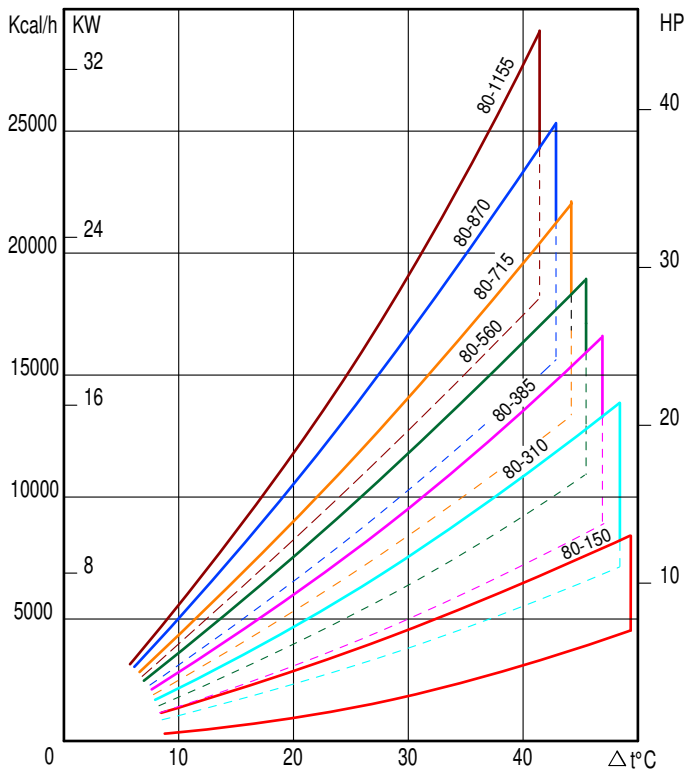
TIPO TYPE	PORTATA OLIO OIL FLOW (lt/min)	HP DISPERSI CON OLIO HP DISSIPATED WITH OIL =55°C H2O=20°C	CAPACITA' CONTENTS (lt)	Kg	Dimensioni - Over all dimension																				
					1 Pass						2 Pass						4 Pass								
					ØF	A	B	C	I	L	L1	ØF	A	B	C	I	L	L1	ØF	A	B	C	I	L	L1
MG 80-150-..	25-75	4-8	0.65	4.5	1"	90	90	85.5	150	321	141	1"	72	64	67.5	150	277	141	1"	72	64	67.5	150	277	141
MG 80-310-..	25-80	7-14	1.1	5.7	1"	90	90	85.5	310	481	301	1"	72	64	67.5	310	437	301	1"	72	64	67.5	310	437	301
MG 80-385-..	25-80	9-17	1.3	6	1"	90	90	85.5	385	556	376	1"	72	64	67.5	385	512	376	1"	72	64	67.5	385	512	376
MG 80-560-..	25-80	12-20	1.9	7.5	1"	90	90	85.5	560	731	551	1"	72	64	67.5	560	687	551	1"	72	64	67.5	560	687	551
MG 80-715-..	35-120	15-24	2.3	8	1"	90	90	85.5	715	886	706	1"	72	64	67.5	715	842	706	1"	72	64	67.5	715	842	706
MG 80-870-..	40-130	18-29	2.8	10	1"	90	90	85.5	870	1041	861	1"	72	64	67.5	870	997	861	1"	72	64	67.5	870	997	861
MG 80-1155-..	40-130	22-36	3.7	13.5	1"	90	90	85.5	1155	1326	1146	1"	72	64	67.5	1155	1282	1146	1"	72	64	67.5	1155	1282	1146

DIAGRAMMA RENDIMENTO

Alla portata massima e minima indicata in tabella

PERFORMANCE DIAGRAM

At the maximum and minimum flow stated in schedule



FATTORE DI CORREZIONE (F)-PERDITE DI CARICO CORRECTION FACTOR (F)-PRESSURE DROP

CST	10	15	20	30	40	50	60	80	100	200	300
F	0.5	0.65	0.77	1	1.2	1.4	1.6	1.9	2.1	3.3	4.3

PERDITE DI CARICO (32 cst) PRESSURE DROP (32 cst)

