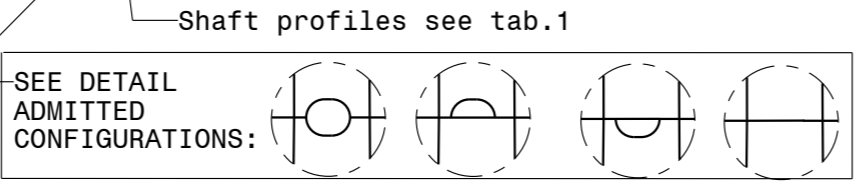
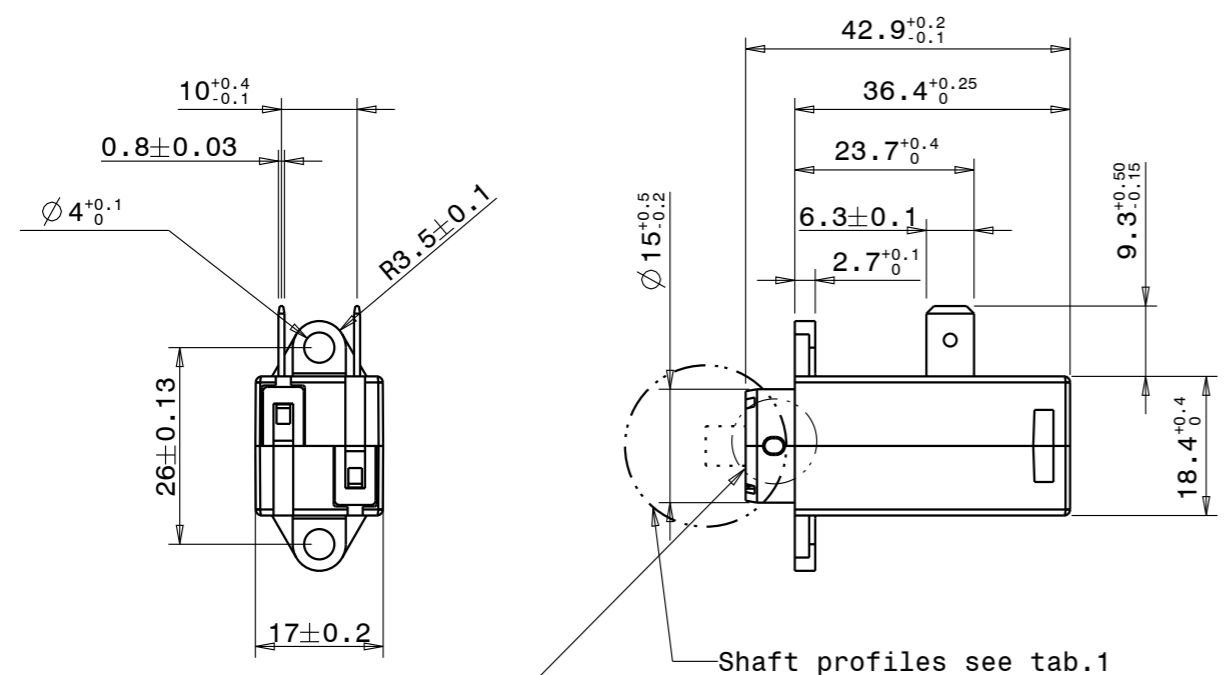


Il fornitore e' tenuto a richiedere le prescrizioni riguardanti la simbologia sulle dimensioni. Il simbolo \bullet e copia della specifica accettazione materiali n. 83.0117.00. Il simbolo \diamond si riferisce alle zone/quote modificate. The supplier is obliged to request the prescription regarding symbols on the dimensions \bullet and a copy of the specification concerning materials acceptance n. 83.0117.00. The symbol \diamond refers to modified area/dimensions.

Questo documento e le informazioni in esso contenute sono di proprieta' ELTEK SpA e devono considerarsi di natura riservata. Pertanto ne e' vietato qualsiasi tipo di utilizzo non preventivamente autorizzato da ELTEK SpA. This document and the information in it contained are property of ELTEK SpA and, as such, they are to be considered reserved. Therefore, any reproduction in any form or by any means, without prior written permission of ELTEK SpA, is forbidden.

General tolerances	120+	180	±.27
	80+	120	±.23
	50+	80	±.19
	30+	50	±.16
	18+	30	±.13
	< 18		±.10
Angles	± 2°		

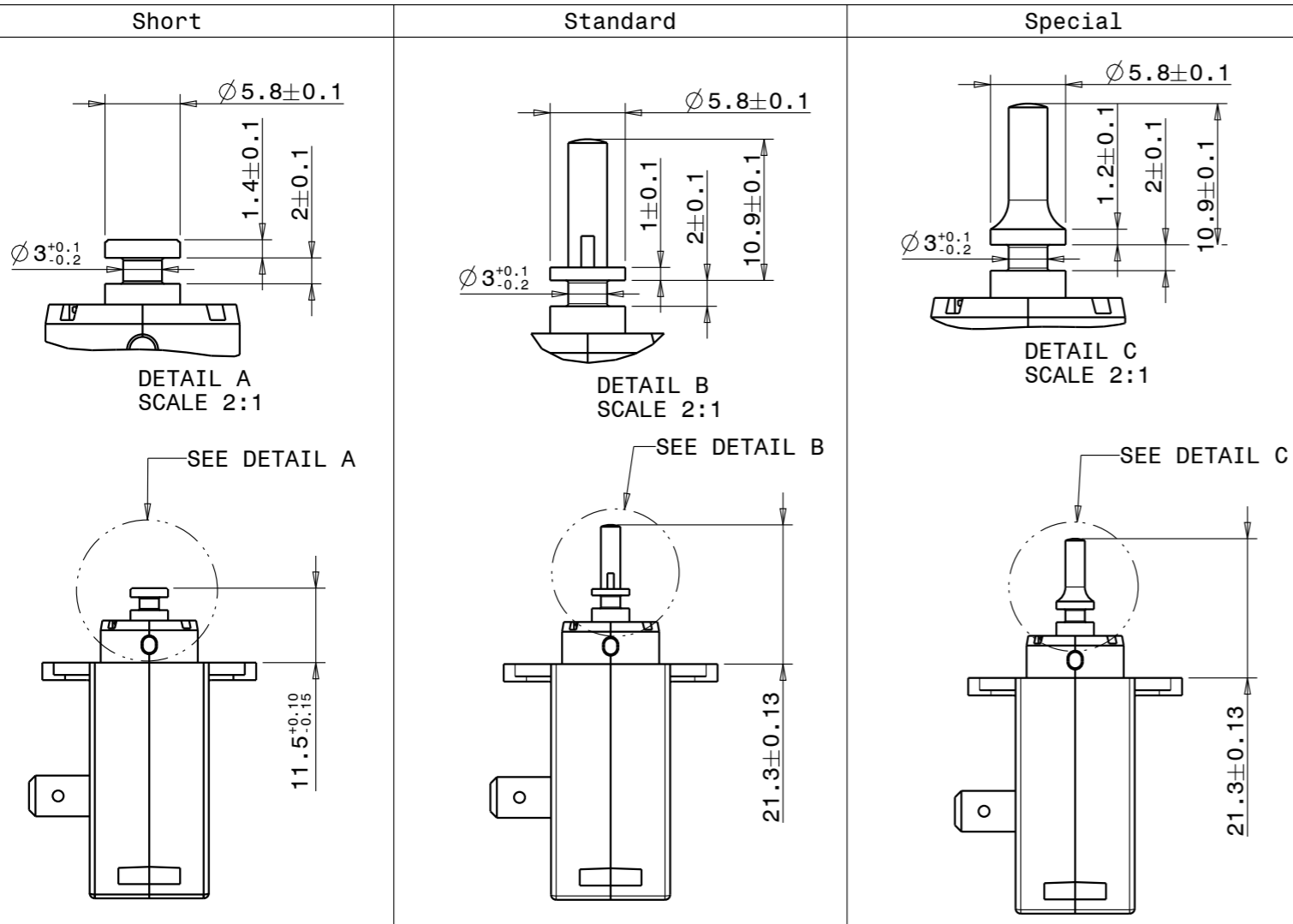


Tab. 2 Type of thermoactuator

Thermoactuator	Marking	Stroke-time diagram	Shaft type		Type On time
			profile	colour	
10.0331.13	110/240 V	12.0096.26	Special	Black	long
\diamond 10.0331.20	110/240 V	12.0096.21	Standard	Black	long
10.0331.21	110/240 V	12.0096.21	Standard	Black	long
10.0331.25	12/24 V	12.0096.25	Standard	Brown	long
10.0331.27	110/240 V	12.0096.26	Short	Brown	long
10.0331.28	110/240 V	12.0096.28	Short	Brown	long

Long ON time do not energize for more than: 12 hours

Tab. 1 Shaft profiles



Note: this drawing can be applied to all the thermoactuators quoted in tab.2. The stroke-time diagrams corresponding to every single type of single type of actuator are quoted in tab.2. For technical data refer to the Technical Specification code 82.0331.00

"The thermoactuator has a grade of protection : IP00 (not protected,ref. IEC 60529). For more details refer to technical specification code 82033100"

All above p.n. are approved: File E113133 \diamond

				Drawn: SEGALINI
				Date: 09/11/07
				Checked: GAJ
				Date: 19/04/17
04	Added code: 10033120, added number of file UL	19/04/17	SEGALINI	Scale: 1:1
03	Adjust dimension 6.3±0.1(it was 6.3 +0.1-0);9.3+0.5-0.15(it was 9.3+0.5-0),	16/06/14	SEGALINI	
02	Change: added note and symbol C-UL, approvals for 12/24 V (it was 12 or 24V)	27/05/13	SEGALINI	Volume: - [mm ³]
01	Added dimension 2,7	14/12/07	SEGALINI	
Rev	Modification Description	Date	By	Weight [g]: 20
Drawing Size	First angle projection	Material		Replace
A3				-
		Colour		Code
ELTEK S.p.A.- Casale Monf. ITALY		Description		10.0331.B1.04
		Thermoactuator Silicone inj. 6mm stroke		