



WALL AND DUCT TEMPERATURE AND HUMIDITY TRANSMITTERS, IP65

TUT

FUNCTION

Temperature and humidity measuring and transmission in voltage, current or resistive (only temperature) values:

- 0...10 Vdc, 0...5 Vdc, 3 wires;
- 4...20 mA, 2 wires;
- resistive output;

APPLICATIONS

Designed for industrial applications with air duct mounting or wall mounting.

TYPE	RANGE	RANGE	OUTPUT (TEMPERATURE)	OUTPUT (HUMIDITY)	ACCURACY (TEMPERATURE)	ACCURACY (HUMIDITY)	APPLICATION	DIAGRAM FIG:
	°C	% r.h.			°C	% r.h.		
TUTC0111	0...+50	0...100	0...10 Vdc	0...10 Vdc	± 1	± 3	air duct	2
TUTC0121	-30...+50	0...100	0...10 Vdc	0...10 Vdc	± 1,5	± 3	air duct	2
TUTC0131	0...+100	0...100	0...10 Vdc	0...10 Vdc	± 2	± 3	air duct	2
TUTC0212	0...+50	0...100	4...20 mA	4...20 mA	± 1	± 3	air duct	1
TUTC0222	-30...+50	0...100	4...20 mA	4...20 mA	± 1,5	± 3	air duct	1
TUTC0232	0...+100	0...100	4...20 mA	4...20 mA	± 2	± 3	air duct	1
TUTC1101	-5...+50	0...100	NTC 10K	0...10 Vdc	± 0,6	± 3	air duct	4
TUTC1102	-5...+50	0...100	NTC 10K	4...20 mA	± 0,6	± 3	air duct	3
TUTC1103	-5...+50	0...100	NTC 10K	0...5 Vdc	± 0,6	± 3	air duct	4
TUTC1301	-5...+50	0...100	NTC 1K8	0...10 Vdc	± 0,6	± 3	air duct	4
TUTC1302	-5...+50	0...100	NTC 1K8	4...20 mA	± 0,6	± 3	air duct	3
TUTC1401	-5...+50	0...100	NTC 10K	0...10 Vdc	± 0,2	± 3	air duct	4
TUTC1402	-5...+50	0...100	NTC 10K	4...20 mA	± 0,2	± 3	air duct	3
TUTC1501	-5...+50	0...100	NTC 10K	0...10 Vdc	± 0,2	± 3	air duct	4
TUTC1502	-5...+50	0...100	NTC 10K	4...20 mA	± 0,2	± 3	air duct	3
TUTC1601	-5...+50	0...100	NTC 20K	0...10 Vdc	± 0,6	± 3	air duct	4
TUTC1602	-5...+50	0...100	NTC 20K	4...20 mA	± 0,6	± 3	air duct	3
TUTC1701	-5...+50	0...100	PT1000	0...10 Vdc	± 0,6	± 3	air duct	4
TUTC2101	-5...+50	0...100	PT100	0...10 Vdc	± 0,3	± 3	air duct	4
TUTC2102	-5...+50	0...100	PT100	4...20 mA	± 0,3	± 3	air duct	3
TUTE0111	0...+50	0...100	0...10 Vdc	0...10 Vdc	± 1	± 3	room/outdoor	2
TUTE0121	-30...+50	0...100	0...10 Vdc	0...10 Vdc	± 1,5	± 3	room/outdoor	2
TUTE0131	0...+100	0...100	0...10 Vdc	0...10 Vdc	± 2	± 3	room/outdoor	2
TUTE0212	0...+50	0...100	4...20 mA	4...20 mA	± 1	± 3	room/outdoor	1
TUTE0222	-30...+50	0...100	4...20 mA	4...20 mA	± 1,5	± 3	room/outdoor	1
TUTE0232	0...+100	0...100	4...20 mA	4...20 mA	± 2	± 3	room/outdoor	1
TUTE1101	-5...+50	0...100	NTC 10K	0...10 Vdc	± 0,6	± 3	room/outdoor	4
TUTE1102	-5...+50	0...100	NTC 10K	4...20 mA	± 0,6	± 3	room/outdoor	3
TUTE1103	-5...+50	0...100	NTC 10K	0...5 Vdc	± 0,6	± 3	room/outdoor	4



TYPE	RANGE °C	RANGE % r.h.	OUTPUT (TEMPERATURE)	OUTPUT (HUMIDITY)	ACCURACY (TEMPERATURE) °C	ACCURACY (HUMIDITY) % r.h.	APPLICATION	DIA-GRAM FIG:
TUTE1301	-5...+50	0...100	NTC 1K8	0...10 Vdc	± 0,6	± 3	room/outdoor	4
TUTE1302	-5...+50	0...100	NTC 1K8	4...20 mA	± 0,6	± 3	room/outdoor	3
TUTE1401	-5...+50	0...10	NTC 10K	0...10 Vdc	± 0,2	± 3	room/outdoor	4
TUTE1402	-5...+50	0...100	NTC 10K	4...20 mA	± 0,2	± 3	room/outdoor	3
TUTE1501	-5...+50	0...100	NTC 10K	0...10 Vdc	± 0,2	± 3	room/outdoor	4
TUTE1502	-5...+50	0...100	NTC 10K	4...20 mA	± 0,2	± 3	room/outdoor	3
TUTE1601	-5...+50	0...100	NTC 20K	0...10 Vdc	± 0,6	± 3	room/outdoor	4
TUTE1602	-5...+50	0...100	NTC 20K	4...20 mA	± 0,6	± 3	room/outdoor	3
TUTE1701	-5...+50	0...100	PT1000	0...10 Vdc	± 0,6	± 3	room/outdoor	4
TUTE2101	-5...+50	0...100	PT100	0...10 Vdc	± 0,3	± 3	room/outdoor	4
TUTE2102	-5...+50	0...100	PT100	4...20 mA	± 0,3	± 3	room/outdoor	3

Accessory	DBZ-22 - mounting bracket for air duct transmitters TUTC
------------------	--

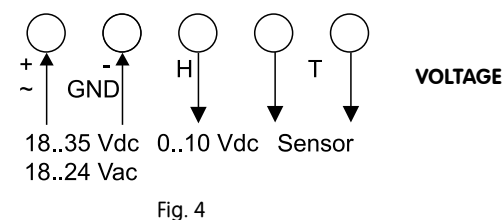
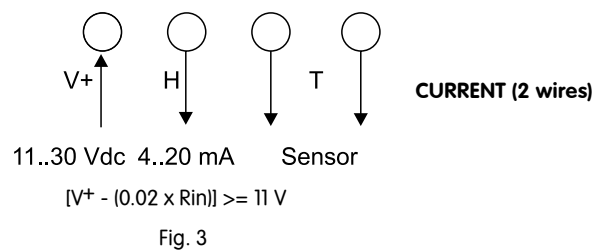
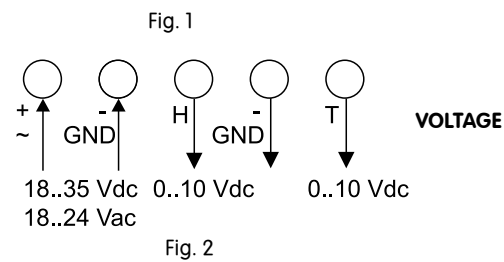
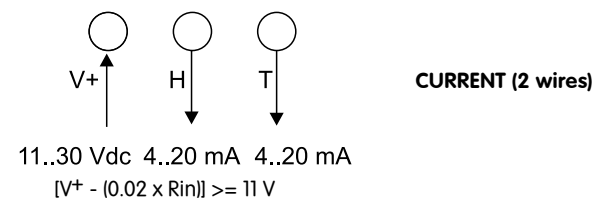
Operating temperature limit -5...+50 °C.

Note: the transmitters model TUTC are supplied with mounting bracket model DBZ-22

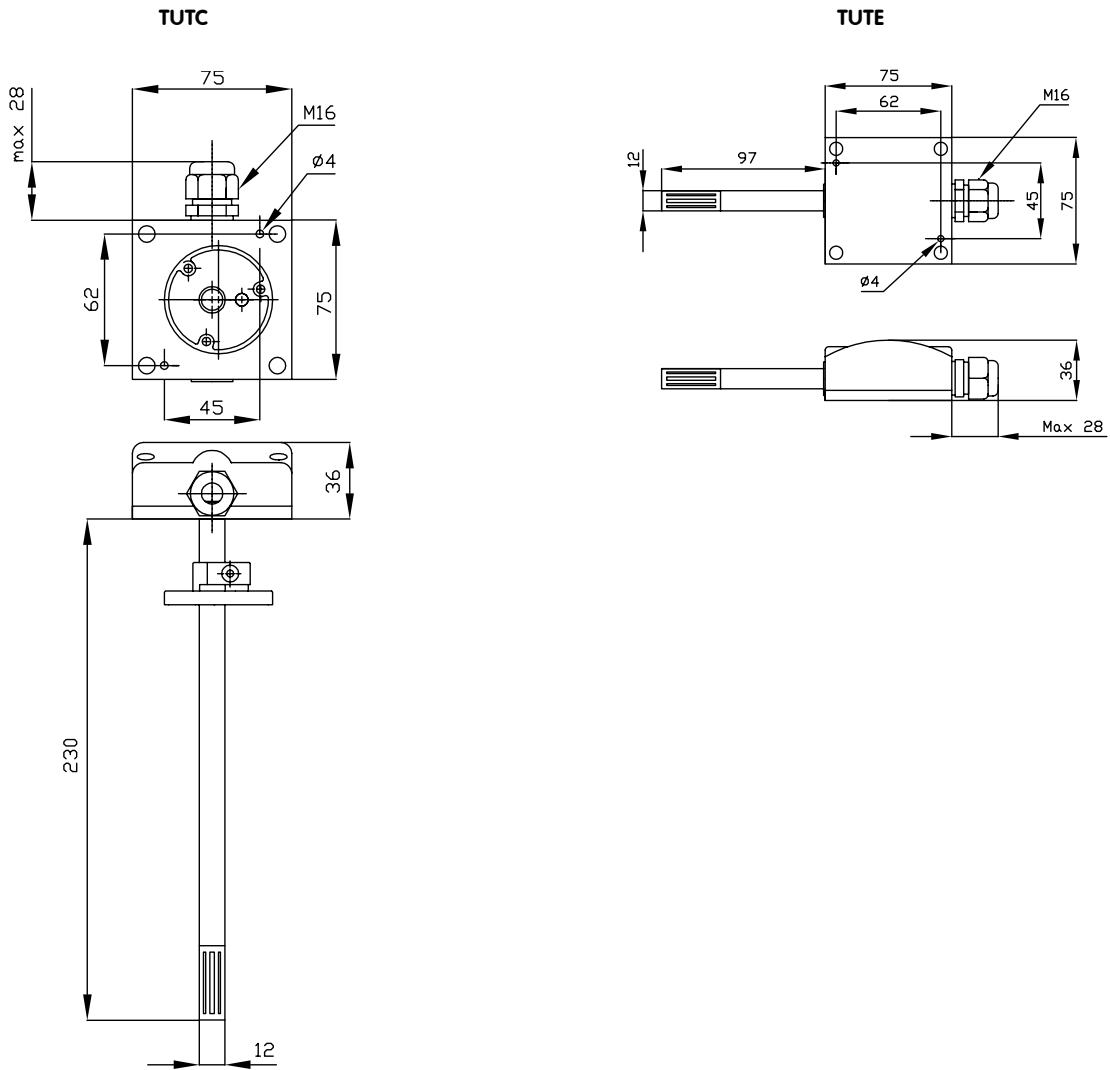
TECHNICAL DATA

Power supply: see electrical wirings
Sensors: temperature: resistive
 humidity: capacitive
Outputs: see schedule
Power cons.: < 1 W
Elect. connections: screw terminals max. 0.75 mm²
Measuring range: see schedule
Working temp. : -5...+50 °C
Working humidity: 10...95 % r.h. (without condensing)
Storage: -20...+70 °C
Precision: humidity: ±3 % r.h. at 20 °C
 temperature:
 max error 1 °C (range 0...50 °C)
 max error 1.5 °C (range -30...50 °C)
 max error 2 °C (range 0...100 °C)
Temp. dependence of electronics: output 4...20 mA (temperature): 0.015 °C/°C
 output 4...20 mA (humidity): 0.015 % r.h./°C
Load limits: output 4...20 mA
 - power supply 11...17 Vdc: $R_L < 50 \text{ Ohm}$
 - power supply 21...30 Vdc: $R_L < 500 \text{ Ohm}$
 output 0...10 Vdc, 0...5 Vdc: $R_L > 1000 \text{ Ohm}$
Housing: cover: white polycarbonate
 base: gray polycarbonate
Dimensions: wall: 75 x 172 x 36 mm
 duct: 75 x 103 x 266 mm
Protection: IP65, class I (sensors excluded)
Weight: 180...300 g

WIRING DIAGRAM



DIMENSIONS (mm)



MOUNTING BRACKET DBZ-22 SUPPLIED WITH TUTC

