



Serie 423

## Miniatur Rundsteckverbinder Serie 423 Miniature circular connectors series 423

## Kurzinformation Brief information

### Kabelsteckverbinder

- Steckverbinder mit Schraubverriegelung nach IEC 130-9
- Schutzart IP 67<sup>1)</sup>
- Robuste Metallbauweise
- Sehr gute EMV Eigenschaften (360° Schutz bei Schirmring Version)
- Innenliegende Zugentlastung
- Ausführungen mit Schirmringen oder mit Kabelklemme
- Winkelsteckverbinder in 4 Winkelpositionen einstellbar

### Cable Connector

- Connector with screw locking according to IEC 130-9
- Degree of protection IP 67<sup>1)</sup>
- Precision metal construction
- Excellent EMC shielding (versions with shielding rings 360°)
- Internal strain relief
- Versions with shielding rings or cable clamp
- Angled connector adjustable in 4 angled positions

Aufbau des Steckverbinders:  
*Construction of the connector:*

Version mit Schirmringen  
*Version with shielding rings*

Version mit Kabelklemme  
*Version with cable clamp*

Kurzversion  
*Short version*

Winkelsteckverbinder  
*Angled connector*



### Flanschsteckverbinder

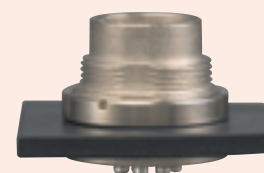
- 1 Standard: mit Lötanschluss, wird von vorn eingesetzt und von hinten verschraubt.
- 2 Mit Lötanschluss für die Verschraubung von vorne. Besonders geeignet für vorkonfektionierte Kabelbäume, die nach dem Lötén eingebaut werden.
- 3 Mit Tauchlötanschluss für den Anschluss auf die Leiterplatte (Abbildung vor dem Einbau in das Gehäuse).
- 4 Mit Tauchlötanschluss nach der Gehäusemontage.

### Chassis sockets

- 1 Standard, with solder termination, mounted from front side and fastened from back side.
- 2 With solder termination, mounted from back side and fastened from front side, especially suited for preassembled cable trees which are mounted after soldering.
- 3 Dip solder termination for connection to PCB (figure: before built in into housing).
- 4 Dip solder termination after installation into housing.

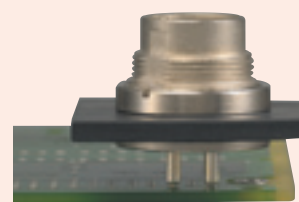
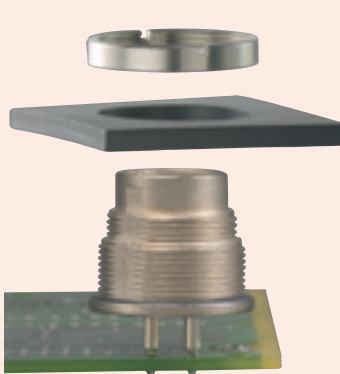
1

2



3

4



<sup>1)</sup> Erläuterung der Schutzarten siehe Seite TI-3 – TI-4. / <sup>1)</sup> Explanation of protection standards see page TI-3 – TI-4.

Ü  
TI

702  
709  
710  
711  
712  
719

423

440  
581  
678  
680  
682  
720  
723  
623

690  
691

692  
693

694  
707

713  
718

763  
765

768  
714

715  
766

815  
820

772  
775

M-A  
M-B  
M-C

R

| <b>Miniatur Rundsteckverbinder Serie 423</b><br><b>Miniature circular connectors series 423</b> |                                  | <b>Technische Daten <sup>1)</sup></b><br><b>Specifications <sup>1)</sup></b> |       |     |       |        |       |       |       |       |                |    |      |    |
|---|----------------------------------|--|-------|-----|-------|--------|-------|-------|-------|-------|----------------|----|------|----|
| Allgemeine Kennwerte  |                                  | General Characteristics  |       |     |       |        |       |       |       |       |                |    |      |    |
| Polzahl   | Number of contacts               | 2  | 3 DIN | 4   | 5     | 5 DIN  | 6 DIN | 7     | 7 DIN | 8 DIN | 12             | 14 | 19   | 24 |
| Verriegelung  | Locking system                   | schrauben / screw  |       |     |       |        |       |       |       |       |                |    |      |    |
| Anschlussart  | Termination                      | löten, tauchlöten / solder, dip solder                                       |       |     |       |        |       |       |       |       |                |    |      |    |
| Anschlussquerschnitt in mm <sup>2</sup>   | Wire gauge in mm <sup>2</sup>    | max. 0,75  |       |     |       |        |       |       |       |       | max. 0,25      |    | 0,14 |    |
| Anschlussquerschnitt in AWG   | Wire gauge in AWG                | max. 20  |       |     |       |        |       |       |       |       | max. 24        |    | 26   |    |
| Kabeldurchlass  | Cable outlet                     | 4 - 6 mm (PG 7) [.16 - .24] / 6 - 8 mm (PG 9) [.24 - .32]                    |       |     |       |        |       |       |       |       |                |    |      |    |
| Schutzart Gehäuse   | Shell protection                 | IP 67  |       |     |       |        |       |       |       |       |                |    |      |    |
| Mechanische Lebensdauer   | Mechanical operation             | > 500 Steckzyklen / > 500 mating cycles                                      |       |     |       |        |       |       |       |       |                |    |      |    |
| Obere Grenztemperatur   | Upper temperature                | + 95 °C (+ 203 °F)   |       |     |       |        |       |       |       |       |                |    |      |    |
| Untere Grenztemperatur  | Lower temperature                | - 30 °C (- 22 °F)  |       |     |       |        |       |       |       |       |                |    |      |    |
| Gewicht Kabelsteckverbinder   | Weight cable connector           | ~ 40 g (gerade/straight) / ~65 g (gewinkelt/angled)                          |       |     |       |        |       |       |       |       |                |    |      |    |
| Gewicht Flanschsteckverbinder   | Weight socket                    | ~ 12 g   |       |     |       |        |       |       |       |       |                |    |      |    |
| Elektrische Kennwerte   |                                  | Electrical Characteristics   |       |     |       |        |       |       |       |       |                |    |      |    |
| Bemessungsspannung  | Rated voltage                    | 250 V  |       |     | 60 V  | 250 V  | 125 V | 60 V  |       |       |                |    |      |    |
| Bemessungs-Stoßspannung   | Rated impulse voltage            | 1500 V   |       |     | 500 V | 1500 V | 800 V | 500 V |       |       |                |    |      |    |
| Verschmutzungsgrad  | Pollution degree                 | 1  |       |     |       |        |       |       |       |       |                |    |      |    |
| Überspannungskategorie  | Overvoltage categorie            | I  |       |     |       |        |       |       |       |       |                |    |      |    |
| Isolierstoffgruppe  | Material group                   | III  |       |     |       |        |       |       |       |       |                |    |      |    |
| Prüfstoßspannung  | Test voltage                     | 1750 V   |       |     | 550 V | 1750 V | 910 V | 550 V |       |       |                |    |      |    |
| Bemessungsstrom (40 °C)   | Rated current (40 °C)            | 7 A  |       | 6 A |       |        | 5 A   |       |       |       | 3 A            |    | 1 A  |    |
| Durchgangswiderstand  | Contact resistance               | ≤ 5 mΩ   |       |     |       |        |       |       |       |       | ≤ 3 mΩ         |    |      |    |
| Isolationswiderstand  | Insulation resistance            | ≥ 10 <sup>10</sup> Ω   |       |     |       |        |       |       |       |       |                |    |      |    |
| Werkstoffe  |                                  | Materials  |       |     |       |        |       |       |       |       |                |    |      |    |
| Kontaktstift  | Pin contact                      | CuZn (Messing/brass)   |       |     |       |        |       |       |       |       |                |    |      |    |
| Kontaktbuchse   | Socket contact                   | CuSn (Bronze/bronze)   |       |     |       |        |       |       |       |       |                |    |      |    |
| Kontaktoberfläche   | Contact plating                  | Ag (Silber/silver) / Au (Gold/gold)  |       |     |       |        |       |       |       |       | Au (Gold/gold) |    |      |    |
| Steckerkörper   | Male insert                      | PBT (UL 94 V-0)  |       |     |       |        |       |       |       |       |                |    |      |    |
| Buchsenkörper   | Female Insert                    | PBT (UL 94 V-0)  |       |     |       |        |       |       |       |       |                |    |      |    |
| Gehäuse Kabelstecker gerade   | Housing straight cable connector | CuZn (Messing, vernickelt/brass, nickel plated)                              |       |     |       |        |       |       |       |       |                |    |      |    |
| Gehäuse Kabelstecker gewinkelt  | Housing angled cable connector   | Zink-Druckguss, vernickelt/zinc diecasting, nickel plated                    |       |     |       |        |       |       |       |       |                |    |      |    |
| Flanschgehäuse  | Socket                           | Zink-Druckguss, vernickelt/zinc diecasting, nickel plated                    |       |     |       |        |       |       |       |       |                |    |      |    |


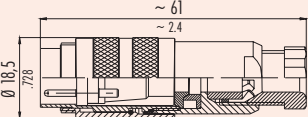

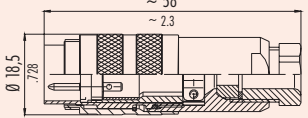

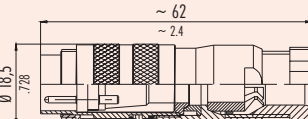

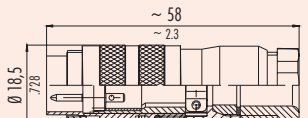
<sup>1)</sup> Normen und Prüfbedingungen für diese Angaben siehe Seite TI-16. / Standards and test parameters for this data see page TI-16.


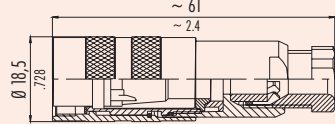

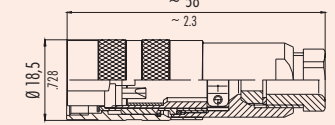

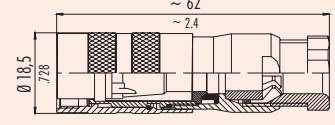

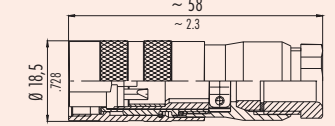


## Miniatur Rundsteckverbinder Serie 423 Miniature circular connectors series 423

## Kabelstecker Male cable connectors

Ü  
TI  
  
702  
709  
710  
711  
712  
719  
423  
440  
581  
678  
680  
682  
720  
723  
623  
690  
691  
692  
693  
694  
707  
713  
718  
763  
765  
768  
714  
715  
766  
815  
820  
772  
775  
M-A  
M-B  
M-C  
  
R

| Bezeichnung — Abbildung<br>Description — Figure  | Maßzeichnung<br>Drawing   | Polzahl<br>Contacts  | Bestell-Nr./Ordering-No.  |   |
|--|---|--|---|---|
|  |   |  | versilberte Kontakte<br>silver plated contacts                                      | vergoldete Kontakte<br>gold plated contacts |
| Kabelstecker mit Schirmring<br>Kabeldurchlass 4 - 6 mm<br><i>Male cable connector with shielding ring<br/>           cable outlet 4 - 6 mm (.16 - .24 in.)</i>    |    | 2  | 99-5101-15-02   | 99-5101-19-02                               |
|  |   | 3 DIN  | 99-5105-15-03   | 99-5105-19-03                               |
|  |   | 4  | 99-5109-15-04   | 99-5109-19-04                               |
|  |   | 5  | 99-5113-15-05   | 99-5113-19-05                               |
|  |   | 5 (Stereo)   | 99-5117-15-05   | 99-5117-19-05                               |
|  |   | 6 DIN  | 99-5121-15-06   | 99-5121-19-06                               |
|  |   | 7  | 99-5125-15-07   | 99-5125-19-07                               |
|  |   | 7 DIN  | 99-5181-15-07   | —   |
|  |   | 8 DIN  | 99-5171-15-08   | 99-5171-19-08                               |
|  |   | 12   | —   | 99-5129-15-12                               |
|  |   | 14   | —   | 99-5451-15-14                               |
|  |   | 19   | —   | 99-5461-15-19                               |
|  |   | 24   | —   | 99-5495-15-24                               |
|  |   | Kabelstecker mit Kabelklemme<br>Kabeldurchlass 4 - 6 mm<br><i>Male cable connector with cable clamp<br/>           cable outlet 4 - 6 mm (.16 - .24 in.)</i>  |  | 2   |
| 3 DIN  | 99-5105-00-03   |  |   | 99-5105-09-03                               |
| 4  | 99-5109-00-04   |  |   | 99-5109-09-04                               |
| 5  | 99-5113-00-05   |  |   | 99-5113-09-05                               |
| 5 (Stereo)   | 99-5117-00-05   |  |   | 99-5117-09-05                               |
| 6 DIN  | 99-5121-00-06   |  |   | 99-5121-09-06                               |
| 7  | 99-5125-00-07   |  |   | 99-5125-09-07                               |
| 7 DIN  | 99-5181-00-07   |  |   | —   |
| 8 DIN  | 99-5171-00-08   |  |   | 99-5171-09-08                               |
| 12   | —   |  |   | 99-5129-00-12                               |
| 14   | —   |  |   | 99-5451-00-14                               |
| 19   | —   |  |   | 99-5461-00-19                               |
| 24   | —   |  |   | 99-5495-00-24                               |
| Kabelstecker mit Schirmring<br>Kabeldurchlass 6 - 8 mm<br><i>Male cable connector with shielding ring<br/>           cable outlet 6 - 8 mm (.24 - .32 in.)</i>  |  |  |   | 2   |
|  |   | 3 DIN  | 99-5605-15-03   | 99-5605-19-03                               |
|  |   | 4  | 99-5609-15-04   | 99-5609-19-04                               |
|  |   | 5  | 99-5613-15-05   | 99-5613-19-05                               |
|  |   | 5 (Stereo)   | 99-5617-15-05   | 99-5617-19-05                               |
|  |   | 6 DIN  | 99-5621-15-06   | 99-5621-19-06                               |
|  |   | 7  | 99-5625-15-07   | 99-5625-19-07                               |
|  |   | 7 DIN  | 99-5681-15-07   | —   |
|  |   | 8 DIN  | 99-5671-15-08   | 99-5671-19-08                               |
|  |   | 12   | —   | 99-5629-15-12                               |
|  |   | 14   | —   | 99-5651-15-14                               |
|  |   | 19   | —   | 99-5661-15-19                               |
|  |   | 24   | —   | 99-5695-15-24                               |
|  |   | Kabelstecker mit Kabelklemme<br>Kabeldurchlass 6 - 8 mm<br><i>Male cable connector with cable clamp<br/>           cable outlet 6 - 8 mm (.24 - .32 in.)</i>  |  | 2   |
| 3 DIN  | 99-5605-00-03   |  |   | 99-5605-09-03                               |
| 4  | 99-5609-00-04   |  |   | 99-5609-09-04                               |
| 5  | 99-5613-00-05   |  |   | 99-5613-09-05                               |
| 5 (Stereo)   | 99-5617-00-05   |  |   | 99-5617-09-05                               |
| 6 DIN  | 99-5621-00-06   |  |   | 99-5621-09-06                               |
| 7  | 99-5625-00-07   |  |   | 99-5625-09-07                               |
| 7 DIN  | 99-5681-00-07   |  |   | —   |
| 8 DIN  | 99-5671-00-08   |  |   | 99-5671-09-08                               |
| 12   | —   |  |   | 99-5629-00-12                               |
| 14   | —   |  |   | 99-5651-00-14                               |
| 19   | —   |  |   | 99-5661-00-19                               |
| 24   | —   |  |   | 99-5695-00-24                               |

| <b>Miniatur Rundsteckverbinder Serie 423</b><br><b>Miniature circular connectors series 423</b>  |   | <b>Kabeldosen</b><br><b>Female cable connectors</b>  |   |   |
|--|---|--|---|---|
| Bezeichnung — Abbildung<br>Description — Figure  | Maßzeichnung<br>Drawing   | Polzahl<br>Contacts  | Bestell-Nr./Ordering-No.  |   |
|  |   |  | versilberte Kontakte<br>silver plated contacts                                      | vergoldete Kontakte<br>gold plated contacts |
| Kabeldose mit Schirmring<br>Kabeldurchlass 4 - 6 mm<br>Female cable connector with shielding ring<br>cable outlet 4 - 6 mm (.16 - .24 in.)    |    | 2  | 99-5102-15-02   | 99-5102-19-02                               |
|  |   | 3 DIN  | 99-5106-15-03   | 99-5106-19-03                               |
|  |   | 4  | 99-5110-15-04   | 99-5110-19-04                               |
|  |   | 5  | 99-5114-15-05   | 99-5114-19-05                               |
|  |   | 5 (Stereo)   | 99-5118-15-05   | 99-5118-19-05                               |
|  |   | 6 DIN  | 99-5122-15-06   | 99-5122-19-06                               |
|  |   | 7  | 99-5126-15-07   | 99-5126-19-07                               |
|  |   | 7 DIN  | 99-5182-15-07   | —   |
|  |   | 8 DIN  | 99-5172-15-08   | 99-5172-19-08                               |
|  |   | 12   | —   | 99-5130-15-12                               |
|  |   | 14   | —   | 99-5452-15-14                               |
|  |   | 19   | —   | 99-5462-15-19                               |
|  |   | 24   | —   | 99-5496-15-24                               |
|  |   | Kabeldose mit Kabelklemme<br>Kabeldurchlass 4 - 6 mm<br>Female cable connector with cable clamp<br>cable outlet 4 - 6 mm (.16 - .24 in.)  |   | 2   |
| 3 DIN  | 99-5106-00-03   |  |   | 99-5106-09-03                               |
| 4  | 99-5110-00-04   |  |   | 99-5110-09-04                               |
| 5  | 99-5114-00-05   |  |   | 99-5114-09-05                               |
| 5 (Stereo)   | 99-5118-00-05   |  |   | 99-5118-09-05                               |
| 6 DIN  | 99-5122-00-06   |  |   | 99-5122-09-06                               |
| 7  | 99-5126-00-07   |  |   | 99-5126-09-07                               |
| 7 DIN  | 99-5182-00-07   |  |   | —   |
| 8 DIN  | 99-5172-00-08   |  |   | 99-5172-09-08                               |
| 12   | —   |  |   | 99-5130-00-12                               |
| 14   | —   |  |   | 99-5452-00-14                               |
| 19   | —   |  |   | 99-5462-00-19                               |
| 24   | —   |  |   | 99-5496-00-24                               |
| Kabeldose mit Schirmring<br>Kabeldurchlass 6 - 8 mm<br>Female cable connector with shielding ring<br>cable outlet 6 - 8 mm (.24 - .32 in.)  |  |  |   | 2   |
|  |   | 3 DIN  | 99-5606-15-03   | 99-5606-19-03                               |
|  |   | 4  | 99-5610-15-04   | 99-5610-19-04                               |
|  |   | 5  | 99-5614-15-05   | 99-5614-19-05                               |
|  |   | 5 (Stereo)   | 99-5618-15-05   | 99-5618-19-05                               |
|  |   | 6 DIN  | 99-5622-15-06   | 99-5622-19-06                               |
|  |   | 7  | 99-5626-15-07   | 99-5626-19-07                               |
|  |   | 7 DIN  | 99-5682-15-07   | —   |
|  |   | 8 DIN  | 99-5672-15-08   | 99-5672-19-08                               |
|  |   | 12   | —   | 99-5630-15-12                               |
|  |   | 14   | —   | 99-5652-15-14                               |
|  |   | 19   | —   | 99-5662-15-19                               |
|  |   | 24   | —   | 99-5696-15-24                               |
|  |   | Kabeldose mit Kabelklemme<br>Kabeldurchlass 6 - 8 mm<br>Female cable connector with cable clamp<br>cable outlet 6 - 8 mm (.24 - .32 in.)  |  | 2   |
| 3 DIN  | 99-5606-00-03   |  |   | 99-5606-09-03                               |
| 4  | 99-5610-00-04   |  |   | 99-5610-09-04                               |
| 5  | 99-5614-00-05   |  |   | 99-5614-09-05                               |
| 5 (Stereo)   | 99-5618-00-05   |  |   | 99-5618-09-05                               |
| 6 DIN  | 99-5622-00-06   |  |   | 99-5622-09-06                               |
| 7  | 99-5626-00-07   |  |   | 99-5626-09-07                               |
| 7 DIN  | 99-5682-00-07   |  |   | —   |
| 8 DIN  | 99-5672-00-08   |  |   | 99-5672-09-08                               |
| 12   | —   |  |   | 99-5630-00-12                               |
| 14   | —   |  |   | 99-5652-00-14                               |
| 19   | —   |  |   | 99-5662-00-19                               |
| 24   | —   |  |   | 99-5696-00-24                               |

 Ü  
 TI

 702  
 709  
 710  
 711  
 712  
 719

423

440

581

678

680

682

720

723

623

690

691

692

693

694

707

713

718

763

765

768

714

715

766

815

820

772

775

M-A


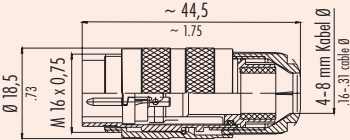

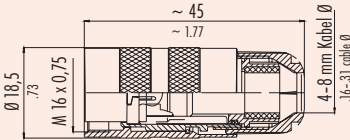
M-B

M-C

R

## Miniatur Rundsteckverbinder Serie 423 Miniature circular connectors series 423

## Steckverbinder Kurzversion Connectors short version

| Bezeichnung – Abbildung<br>Description – Figure  | Maßzeichnung<br>Drawing   | Polzahl<br>Contacts   | Bestell-Nr.<br>Ordering-No.  |
|--|---|---|--|
| Kabelstecker IP 67, Kurzversion,<br>nicht schirmbar<br>Male cable connector IP 67, short version,<br>not shieldable<br><br> |  | 2   | 99-5101-40-02  |
|  |   | 3 DIN   | 99-5105-40-03  |
|  |   | 4   | 99-5109-40-04  |
|  |   | 5   | 99-5113-40-05  |
|  |   | 6 DIN   | 99-5121-40-06  |
|  |   | 7   | 99-5125-40-07  |
|  |   | 8 DIN   | 99-5171-40-08  |
|  |   | 12  | 99-5129-40-12  |
|  |   | 19  | 99-5161-40-19  |
|  |   | Kabeldose IP 67, Kurzversion,<br>nicht schirmbar<br>Female cable connector IP 67, short version,<br>not shieldable<br><br> |  |
| 3 DIN  | 99-5106-40-03   |   |  |
| 4  | 99-5110-40-04   |   |  |
| 5  | 99-5114-40-05   |   |  |
| 6 DIN  | 99-5122-40-06   |   |  |
| 7  | 99-5126-40-07   |   |  |
| 8 DIN  | 99-5172-40-08   |   |  |
| 12   | 99-5130-40-12   |   |  |
| 19   | 99-5162-40-19   |   |  |


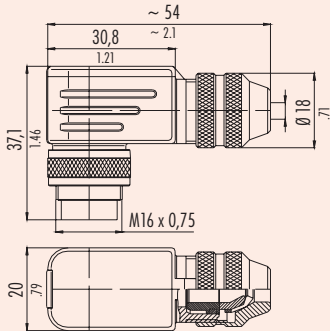

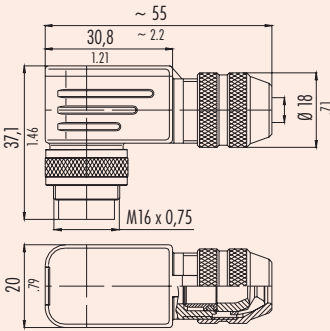

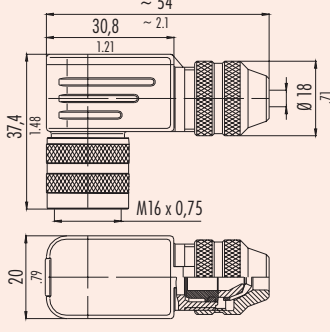

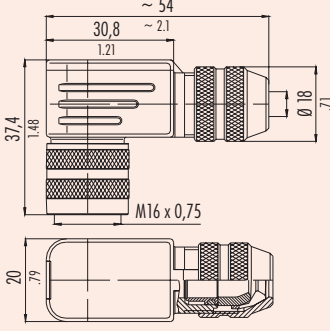
Ü  
TI

702  
709  
710  
711  
712  
719  
423

440  
581  
678  
680  
682  
720  
723  
623  
690  
691  
692  
693  
694


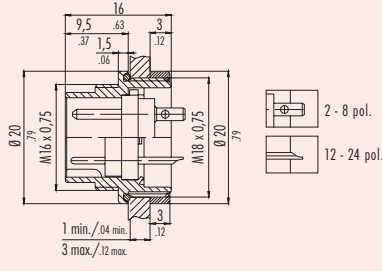

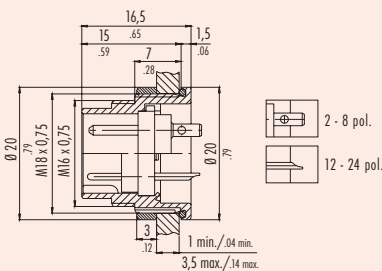

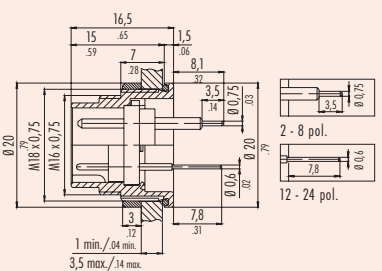
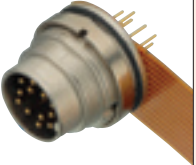
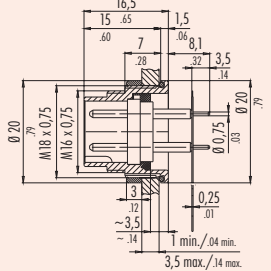
707  
713  
718  
763  
765  
768  
714  
715  
766  
815  
820  
772  
775  
M-A  
M-B  
M-C

R

| <b>Miniatur Rundsteckverbinder Serie 423</b><br><b>Miniature circular connectors series 423</b>  |   | <b>Winkelsteckverbinder</b><br><b>Angled connectors</b> |  |   |
|--|---|---|--|---|
| Bezeichnung — Abbildung<br>Description — Figure  | Maßzeichnung<br>Drawing   | Polzahl<br>Contacts                                     | Bestell-Nr./Ordering-No.                       |   |
|  |   |   | versilberte Kontakte<br>silver plated contacts | vergoldete Kontakte<br>gold plated contacts |
| Winkelstecker<br>Kabeldurchlass 4 - 6 mm<br>Male angled connector<br>cable outlet 4 - 6 mm (.16 - .24 in.)    |    | 2   | 99-5101-75-02                                  | —   |
|  |   | 3 DIN   | 99-5105-75-03                                  | —   |
|  |   | 4   | 99-5109-75-04                                  | —   |
|  |   | 5   | 99-5113-75-05                                  | —   |
|  |   | 5 (Stereo)  | 99-5117-75-05                                  | —   |
|  |   | 6 DIN   | 99-5121-75-06                                  | —   |
|  |   | 7   | 99-5125-75-07                                  | —   |
|  |   | 7 DIN   | 99-5181-75-07                                  | —   |
|  |   | 8 DIN   | 99-5171-75-08                                  | —   |
|  |   | 12  | —  | 99-5129-75-12                               |
| Winkelstecker<br>Kabeldurchlass 6 - 8 mm<br>Male angled connector<br>cable outlet 6 - 8 mm (.24 - .32 in.)  |   | 2   | 99-5601-75-02                                  | —   |
|  |   | 3 DIN   | 99-5605-75-03                                  | —   |
|  |   | 4   | 99-5609-75-04                                  | —   |
|  |   | 5   | 99-5613-75-05                                  | —   |
|  |   | 5 (Stereo)  | 99-5617-75-05                                  | —   |
|  |   | 6 DIN   | 99-5621-75-06                                  | —   |
|  |   | 7   | 99-5625-75-07                                  | —   |
|  |   | 7 DIN   | 99-5681-75-07                                  | —   |
|  |   | 8 DIN   | 99-5671-75-08                                  | —   |
|  |   | 12  | —  | 99-5629-75-12                               |
| Winkeldose<br>Kabeldurchlass 4 - 6 mm<br>Female angled connector<br>cable outlet 4 - 6 mm (.16 - .24 in.)   |  | 2   | 99-5102-75-02                                  | —   |
|  |   | 3 DIN   | 99-5106-75-03                                  | —   |
|  |   | 4   | 99-5110-75-04                                  | —   |
|  |   | 5   | 99-5114-75-05                                  | —   |
|  |   | 5 (Stereo)  | 99-5118-75-05                                  | —   |
|  |   | 6 DIN   | 99-5122-75-06                                  | —   |
|  |   | 7   | 99-5126-75-07                                  | —   |
|  |   | 7 DIN   | 99-5182-75-07                                  | —   |
|  |   | 8 DIN   | 99-5172-75-08                                  | —   |
|  |   | 12  | —  | 99-5130-75-12                               |
| Winkeldose<br>Kabeldurchlass 6 - 8 mm<br>Female angled connector<br>cable outlet 6 - 8 mm (.24 - .32 in.)   |  | 2   | 99-5602-75-02                                  | —   |
|  |   | 3 DIN   | 99-5606-75-03                                  | —   |
|  |   | 4   | 99-5610-75-04                                  | —   |
|  |   | 5   | 99-5614-75-05                                  | —   |
|  |   | 5 (Stereo)  | 99-5618-75-05                                  | —   |
|  |   | 6 DIN   | 99-5622-75-06                                  | —   |
|  |   | 7   | 99-5626-75-07                                  | —   |
|  |   | 7 DIN   | 99-5682-75-07                                  | —   |
|  |   | 8 DIN   | 99-5672-75-08                                  | —   |
|  |   | 12  | —  | 99-5630-75-12                               |


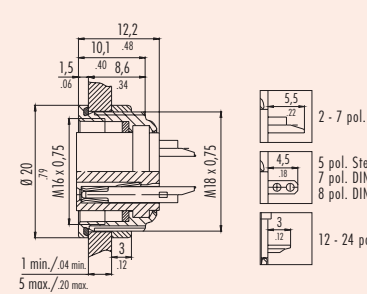

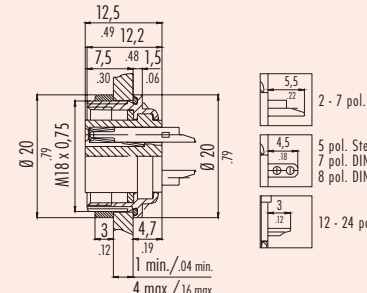

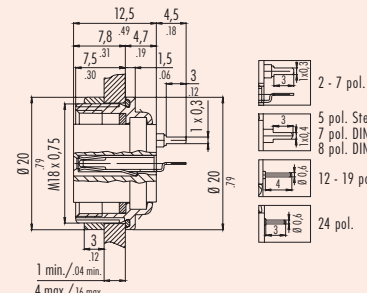

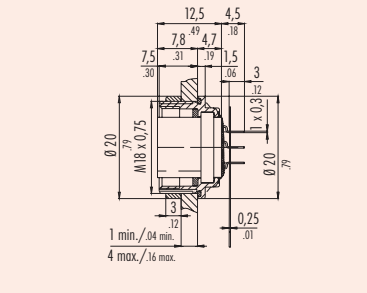
## Miniatur Rundsteckverbinder Serie 423 Miniature circular connectors series 423

## Flanschstecker Male sockets

| Bezeichnung – Abbildung<br>Description – Figure   | Maßzeichnung<br>Drawing   | Polzahl<br>Contacts  | Bestell-Nr./Ordering-No.   |   |
|---|---|--|--|---|
|   |   |  | versilberte Kontakte<br>silver plated contacts   | vergoldete Kontakte<br>gold plated contacts |
| Flanschstecker, löten<br><i>Male socket, solder</i>    |    | 2  | 09-0103-00-02  | 09-0103-09-02                               |
|   |   | 3 DIN  | 09-0107-00-03  | 09-0107-09-03                               |
|   |   | 4  | 09-0111-00-04  | 09-0111-09-04                               |
|   |   | 5  | 09-0115-00-05  | 09-0115-09-05                               |
|   |   | 5 (Stereo)   | 09-0119-00-05  | 09-0119-09-05                               |
|   |   | 6 DIN  | 09-0123-00-06  | 09-0123-09-06                               |
|   |   | 7  | 09-0127-00-07  | 09-0127-09-07                               |
|   |   | 7 DIN  | 09-0583-00-07  | –   |
|   |   | 8 DIN  | 09-0173-00-08  | 09-0173-09-08                               |
|   |   | 12   | –  | 09-0131-00-12                               |
|   |   | 14   | –  | 09-0453-00-14                               |
|   |   | 19   | –  | 09-0463-00-19                               |
|   |   | 24   | –  | 09-0497-00-24                               |
|   |   | Flanschstecker, löten,<br>von vorn verschraubbar<br><i>Male socket, solder,<br/>front fastened</i>                    |    | 2   |
| 3 DIN   | 09-0107-80-03   |  |  | 09-0107-89-03                               |
| 4   | 09-0111-80-04   |  |  | 09-0111-89-04                               |
| 5   | 09-0115-80-05   |  |  | 09-0115-89-05                               |
| 5 (Stereo)  | 09-0119-80-05   |  |  | 09-0119-89-05                               |
| 6 DIN   | 09-0123-80-06   |  |  | 09-0123-89-06                               |
| 7   | 09-0127-80-07   |  |  | 09-0127-89-07                               |
| 7 DIN   | –   |  |  | –   |
| 8 DIN   | 09-0173-80-08   |  |  | 09-0173-89-08                               |
| 12  | –   |  |  | 09-0131-80-12                               |
| 14  | –   |  |  | 09-0453-80-14                               |
| 19  | –   |  |  | 09-0463-80-19                               |
| 24  | –   |  |  | 09-0497-80-24                               |
| Flanschstecker, tauchlöten,<br>von vorn verschraubbar<br><i>Male socket, dip solder,<br/>front fastened</i>  |  |  |  | 2   |
|   |   | 3 DIN  | 09-0107-90-03  | 09-0107-99-03                               |
|   |   | 4  | 09-0111-90-04  | 09-0111-99-04                               |
|   |   | 5  | 09-0115-90-05  | 09-0115-99-05                               |
|   |   | 5 (Stereo)   | 09-0119-90-05  | 09-0119-99-05                               |
|   |   | 6 DIN  | 09-0123-90-06  | 09-0123-99-06                               |
|   |   | 7  | 09-0127-90-07  | 09-0127-99-07                               |
|   |   | 7 DIN  | –  | –   |
|   |   | 8 DIN  | 09-0173-90-08  | 09-0173-99-08                               |
|   |   | 12   | –  | 09-0131-90-12                               |
|   |   | 14   | –  | 09-0453-90-14                               |
|   |   | 19   | –  | 09-0463-90-19                               |
|   |   | 24   | –  | 09-0497-90-24                               |
|   |   | Flanschstecker mit Flexplatte,<br>von vorn verschraubbar<br><i>Male socket with flexible PCB,<br/>front fastened</i>  |  <p>Weitere Maße siehe Seite 423-14<br/>Additional dimensions see page 423-14</p> | 7   |
| 8   | 09-0173-65-08   |  |  |   |
| 12  |   |  |  | 09-0131-62-12                               |
| 12  |   |  |  | 09-0131-68-12                               |

<sup>1)</sup> Flanschstecker von Serie 723 / Sockets from series 723.



| <b>Miniatur Rundsteckverbinder Serie 423</b><br><b>Miniature circular connectors series 423</b>  |   | <b>Flanschdosen</b><br><b>Female sockets</b> |  |   |
|--|---|--|--|---|
| Bezeichnung — Abbildung<br>Description — Figure  | Maßzeichnung<br>Drawing   | Polzahl<br>Contacts                          | Bestell-Nr./Ordering-No.                       |   |
|  |   |  | versilberte Kontakte<br>silver plated contacts | vergoldete Kontakte<br>gold plated contacts |
| Flanschdose, löten<br><i>Female socket, solder</i>    |    | 2  | 09-0104-00-02                                  | 09-0104-09-02                               |
|  |   | 3 DIN  | 09-0108-00-03                                  | 09-0108-09-03                               |
|  |   | 4  | 09-0112-00-04                                  | 09-0112-09-04                               |
|  |   | 5  | 09-0116-00-05                                  | 09-0116-09-05                               |
|  |   | 5 (Stereo)                                   | 09-0120-00-05                                  | 09-0120-09-05                               |
|  |   | 6 DIN  | 09-0124-00-06                                  | 09-0124-09-06                               |
|  |   | 7  | 09-0128-00-07                                  | 09-0128-09-07                               |
|  |   | 7 DIN  | 09-0584-00-07                                  | —   |
|  |   | 8 DIN  | 09-0174-00-08                                  | 09-0174-09-08                               |
|  |   | 12   | —  | 09-0132-00-12                               |
|  |   | 14   | —  | 09-0454-00-14                               |
|  |   | 19   | —  | 09-0464-00-19                               |
| 24   | —   | 09-0498-00-24                                |  |   |
| Flanschdose, löten,<br>von vorn verschraubbar<br><i>Female socket, solder,<br/>           front fastened</i>                  |   | 2  | 09-0104-80-02                                  | 09-0104-89-02                               |
|  |   | 3 DIN  | 09-0108-80-03                                  | 09-0108-89-03                               |
|  |   | 4  | 09-0112-80-04                                  | 09-0112-89-04                               |
|  |   | 5  | 09-0116-80-05                                  | 09-0116-89-05                               |
|  |   | 5 (Stereo)                                   | 09-0120-80-05                                  | 09-0120-89-05                               |
|  |   | 6 DIN  | 09-0124-80-06                                  | 09-0124-89-06                               |
|  |   | 7  | 09-0128-80-07                                  | 09-0128-89-07                               |
|  |   | 7 DIN  | —  | —   |
|  |   | 8 DIN  | 09-0174-80-08                                  | 09-0174-89-08                               |
|  |   | 12   | —  | 09-0132-80-12                               |
|  |   | 14   | —  | 09-0454-80-14                               |
|  |   | 19   | —  | 09-0464-80-19                               |
| 24   | —   | 09-0498-80-24                                |  |   |
| Flanschdose, tauchlöten,<br>von vorn verschraubbar<br><i>Female socket, dip solder,<br/>           front fastened</i>         |  | 2  | 09-0104-90-02                                  | 09-0104-99-02                               |
|  |   | 3 DIN  | 09-0108-90-03                                  | 09-0108-99-03                               |
|  |   | 4  | 09-0112-90-04                                  | 09-0112-99-04                               |
|  |   | 5  | 09-0116-90-05                                  | 09-0116-99-05                               |
|  |   | 5 (Stereo)                                   | 09-0120-90-05                                  | 09-0120-99-05                               |
|  |   | 6 DIN  | 09-0124-90-06                                  | 09-0124-99-06                               |
|  |   | 7  | 09-0128-90-07                                  | 09-0128-99-07                               |
|  |   | 7 DIN  | —  | —   |
|  |   | 8 DIN  | 09-0174-90-08                                  | 09-0174-99-08                               |
|  |   | 12   | —  | 09-0132-90-12                               |
|  |   | 14   | —  | 09-0454-90-14                               |
|  |   | 19   | —  | 09-0464-90-19                               |
| 24   | —   | 09-0498-90-24                                |  |   |
| Flanschdose mit Flexplatte,<br>von vorn verschraubbar<br><i>Female socket with flex board,<br/>           front fastened</i>  |  | 7  | 09-0128-65-07                                  |   |
|  |   | 8  | 09-0174-65-08                                  |   |
|  |   | 12   |  | 09-0132-65-12                               |
|  |   | 12   |  | 09-0132-66-12                               |

<sup>1)</sup> Flanschstecker von Serie 723 / Sockets from series 723.

## Miniatur Rundsteckverbinder Serie 423 Miniature circular connectors series 423

## Zubehör Accessories

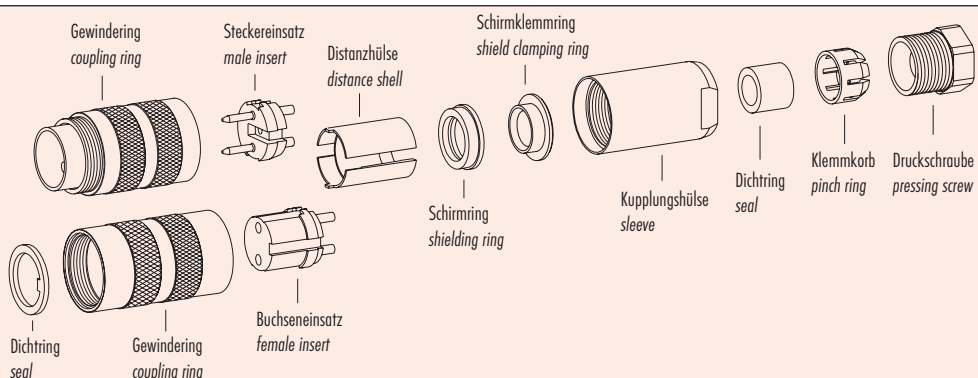
| Bezeichnung<br>Description   | Abbildung<br>Figure | Maßzeichnung<br>Drawing | Bestell-Nr.<br>Ordering-No.                              |
|--|---------------------|-------------------------|--|
| Schutzkappe für Kabelstecker,<br>wasserdicht, IP 67<br>Protection cap for male cable connector,<br>waterproof, IP 67                             |                     |                         | 08-1077-000-000  |
| Schutzkappe für Kabeldose,<br>wasserdicht, IP 67<br>Protection cap for female cable connector,<br>waterproof, IP 67                              |                     |                         | 08-1078-000-000  |
| Schutzkappe für Flanschstecker,<br>wasserdicht, IP 67<br>Protection cap for male socket,<br>waterproof, IP 67                                    |                     |                         | 08-1079-000-000  |
| Schutzkappe für Flanschdose,<br>wasserdicht, IP 67<br>Protection cap for female socket,<br>waterproof, IP 67                                     |                     |                         | 08-1080-000-000  |
| Schutzkappe für Kabel- und Flanschstecker,<br>staubdicht, IP 54<br>Protection cap for male cable connector and<br>male socket, dustproof, IP 54  |                     |                         | 02-0054-000  |
| Schutzkappe für Kabel- und Flanschdose,<br>staubdicht, IP 54<br>Protection cap for female cable connector and<br>female socket, dustproof, IP 54 |                     |                         | 02-0055-001<br>02-0055-000<br>(Schwarz/black)            |
| Distanzhülse für Flanschsteckverbinder,<br>Tauchlöttausführung, 2-19 contacts<br>Distance shell for socket,<br>dip solder version, 2-19 contacts |                     |                         | 02-0007-000  |
| Montageschlüssel für Kabelsteckverbinder<br>Mounting spanner for cable connector   |                     |                         | 02-1785-000  |
| Montageschlüssel für Flanschsteckverbinder<br>Mounting spanner for socket  |                     |                         | 07-0010-001  |
| Viereckflansch für Flanschsteckverbinder<br>Rectangular flange for socket  |                     |                         | 08-0045-000-001  |
| Lötösenring<br>(Schutzart kann sich verringern)<br>Solder eye ring<br>(Protection standard may be reduce)  |                     |                         | 04-0186-009  |
| 6-kant Mutter<br>Hexagonal nut   |                     |                         | 01-0146-001<br>(2,5 mm/.10)<br>01-5006-001<br>(5 mm/.20) |

## Miniatur Rundsteckverbinder Serie 423 Miniature circular connectors series 423

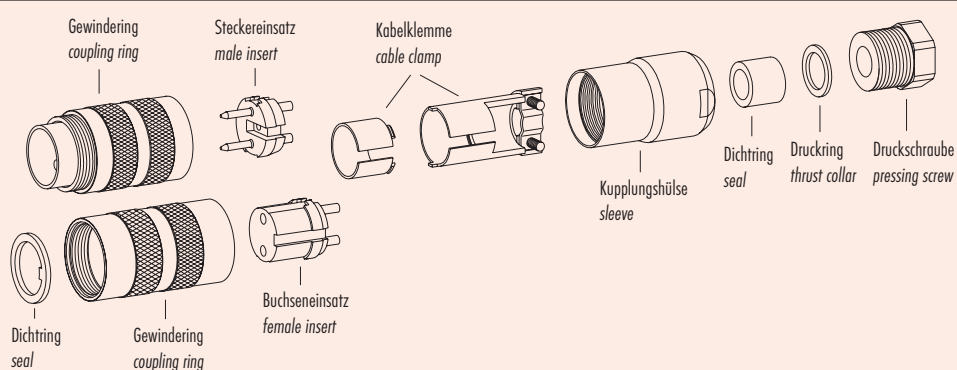
## Einzelteildarstellung Component part drawings

Ü  
TI

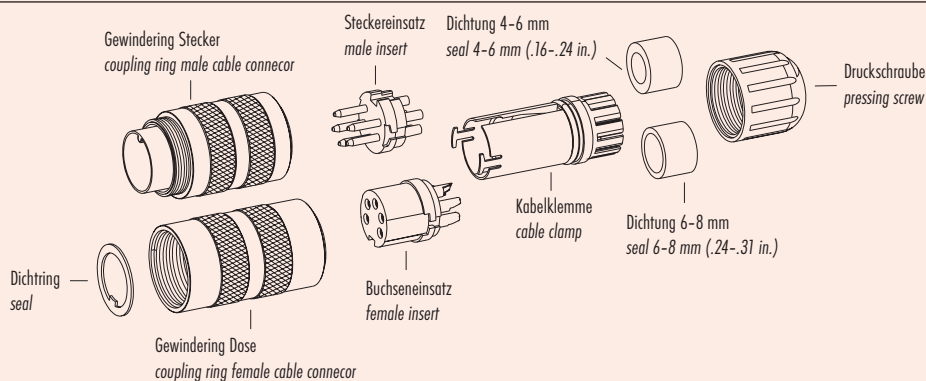
Kabelsteckverbinder mit Schirmring  
Cable connectors with shielding ring



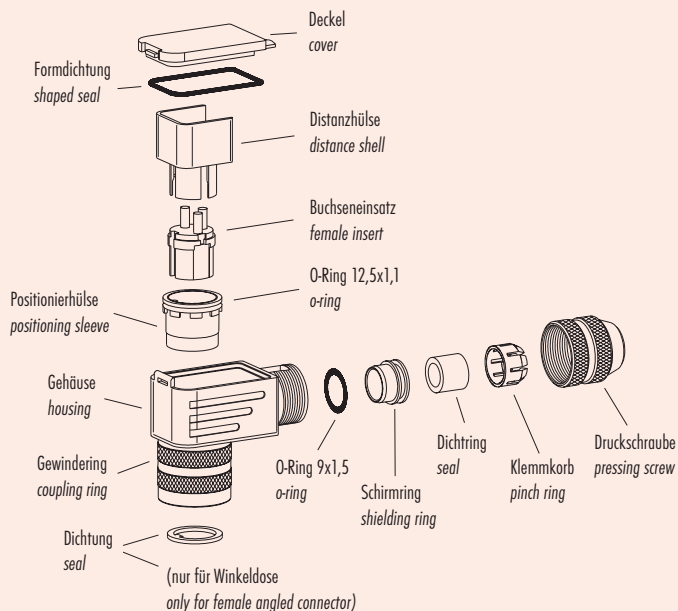
Kabelsteckverbinder mit Kabelklemme  
Cable connectors with cable clamp



Kabelsteckverbinder Kurzversion  
Cable connectors short version



Winkelsteckverbinder  
Angled connector



702  
709  
710  
711  
712  
719

**423**

440  
581  
678  
680  
682  
720  
723

623

690  
691  
692  
693  
694

707

713

718

763

765

768

714

715

766

815

820

772

775

M-A

M-B

M-C

R

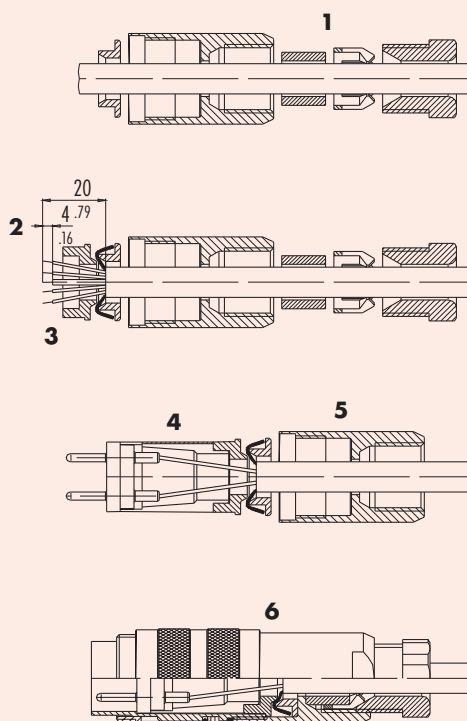
## Miniatur Rundsteckverbinder Serie 423 Miniature circular connectors series 423

## Montageanleitung Assembly instruction

### Gerade Version

(Ausführung mit Schirmring)

1. Teile auffädeln
2. Abisolieren und Schirm aufweiten
3. Schirmklemmring montieren
4. Litze anlöten, Distanzhülse überschnappen
5. Überstehenden Schirm abschneiden
6. Übrige Teile gemäß Darstellung montieren



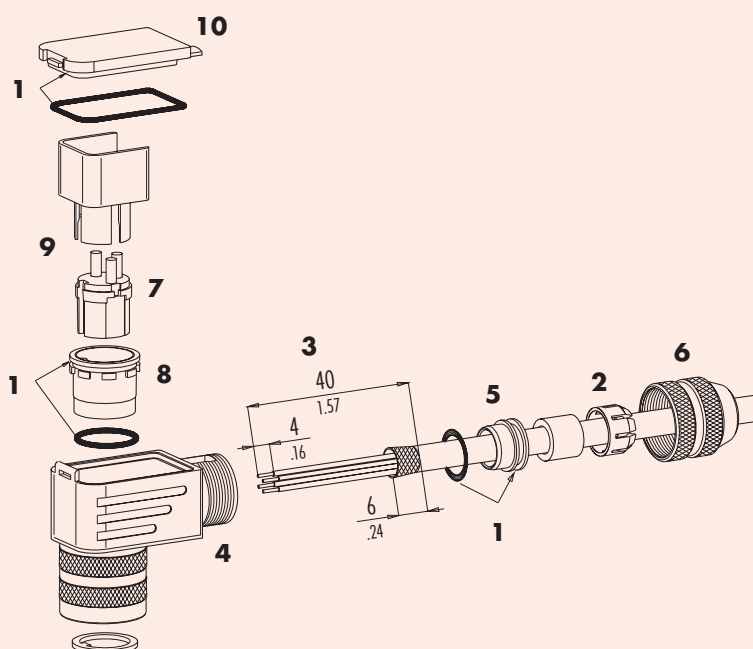
### Straight version

(Version with shielding ring)

1. Stringing parts
2. Stripping and widening of shield
3. Assembling shield clamping ring
4. Soldering wire, tripping distance bush
5. Cutting off projecting shield
7. Assembling remaining parts according to plan

### Winkelversion

1. Dichtungen montieren (3x)
2. Kabelteile auffädeln
3. Kabel und Schirm abmanteln
4. Litzen durch das Gehäuse fädeln
5. Schirmring, Klemmkorb montieren
6. Druckschraube leicht andrehen
7. Litzen an Kontakteinsatz löten
8. Verdrehhülse in Winkelstellung montieren
9. Kontakteinsatz, Distanzhülse einsetzen
10. Deckel einhaken
11. Druckschraube festziehen (ca. 10-20 Nm)



### Angled version

1. Assembly of seal (3x)
2. Stringing cable parts
3. Dismantle cable and shield
4. Thread-up wires through the housing
5. Mount shielding ring and pinch ring
6. Turn on the pressing screw very slightly
7. Solder wires on insert
8. Mount torsion carrier sleeve in angled position
9. Set in insert and distance sleeve
10. Mount cover
11. Fix pressing screw (approx. 10-20 Nm)

Ü

TI

702

709

710

711

712

719

423

440

581

678

680

682

720

723

623

690

691

692

693

694

707

713

718

763

765

768

714

715

766

815

820

772

775

M-A

M-B

M-C

R

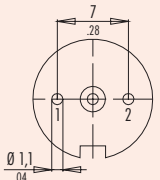
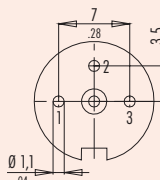
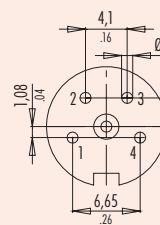
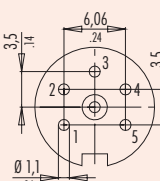
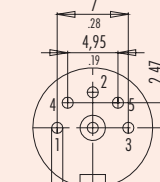
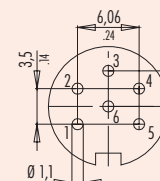
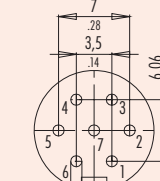
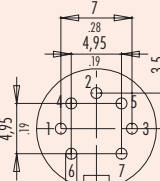
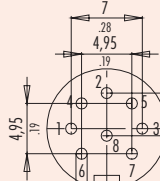
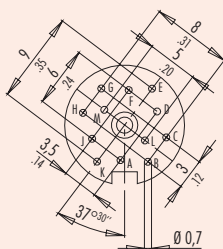
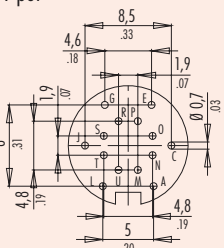
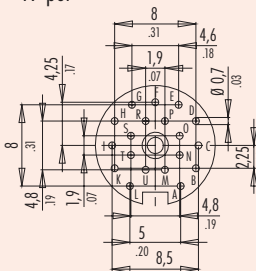
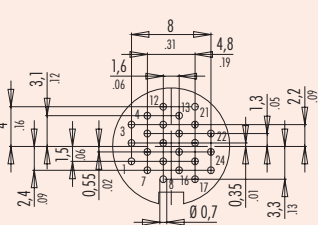
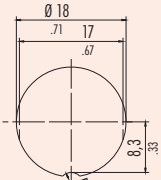


## Miniatur Rundsteckverbinder Serie 423 Miniature circular connectors series 423

## Polbilder Contact arrangements

Polbilder mit Sicht auf die Lötanschlusseite der Stifteinsätze  
Contact arrangements with view on the solder termination side of male inserts

x-y Koordinaten  
x-y Coordinates

| <p>2 pol</p>     | <p>3 pol (DIN 41524)</p>                      | <p>4 pol</p>                                   | <p>8 pol</p> <table border="1" data-bbox="1181 459 1308 739"> <thead> <tr> <th></th> <th>X</th> <th>Y</th> </tr> </thead> <tbody> <tr><td>1</td><td>-3,50</td><td>0,00</td></tr> <tr><td>2</td><td>0,00</td><td>3,50</td></tr> <tr><td>3</td><td>3,50</td><td>0,00</td></tr> <tr><td>4</td><td>-2,47</td><td>2,47</td></tr> <tr><td>5</td><td>2,47</td><td>2,47</td></tr> <tr><td>6</td><td>-2,47</td><td>-2,47</td></tr> <tr><td>7</td><td>2,47</td><td>-2,47</td></tr> <tr><td>8</td><td>0,00</td><td>-0,70</td></tr> </tbody> </table>  |       | X     | Y | 1 | -3,50 | 0,00  | 2 | 0,00  | 3,50  | 3  | 3,50  | 0,00  | 4 | -2,47 | 2,47  | 5  | 2,47  | 2,47  | 6 | -2,47 | -2,47 | 7  | 2,47  | -2,47 | 8 | 0,00  | -0,70 |    |       |       |   |       |       |    |       |       |   |       |       |    |       |       |   |       |       |    |       |       |   |       |       |    |      |      |   |       |       |    |      |      |    |       |       |    |      |      |    |       |       |    |      |       |    |       |       |    |      |       |
|---|--|--|--|-------|-------|---|---|-------|-------|---|-------|-------|----|-------|-------|---|-------|-------|----|-------|-------|---|-------|-------|----|-------|-------|---|-------|-------|----|-------|-------|---|-------|-------|----|-------|-------|---|-------|-------|----|-------|-------|---|-------|-------|----|-------|-------|---|-------|-------|----|------|------|---|-------|-------|----|------|------|----|-------|-------|----|------|------|----|-------|-------|----|------|-------|----|-------|-------|----|------|-------|
|   | X  | Y  |  |       |       |   |   |       |       |   |       |       |    |       |       |   |       |       |    |       |       |   |       |       |    |       |       |   |       |       |    |       |       |   |       |       |    |       |       |   |       |       |    |       |       |   |       |       |    |       |       |   |       |       |    |      |      |   |       |       |    |      |      |    |       |       |    |      |      |    |       |       |    |      |       |    |       |       |    |      |       |
| 1   | -3,50  | 0,00   |  |       |       |   |   |       |       |   |       |       |    |       |       |   |       |       |    |       |       |   |       |       |    |       |       |   |       |       |    |       |       |   |       |       |    |       |       |   |       |       |    |       |       |   |       |       |    |       |       |   |       |       |    |      |      |   |       |       |    |      |      |    |       |       |    |      |      |    |       |       |    |      |       |    |       |       |    |      |       |
| 2   | 0,00   | 3,50   |  |       |       |   |   |       |       |   |       |       |    |       |       |   |       |       |    |       |       |   |       |       |    |       |       |   |       |       |    |       |       |   |       |       |    |       |       |   |       |       |    |       |       |   |       |       |    |       |       |   |       |       |    |      |      |   |       |       |    |      |      |    |       |       |    |      |      |    |       |       |    |      |       |    |       |       |    |      |       |
| 3   | 3,50   | 0,00   |  |       |       |   |   |       |       |   |       |       |    |       |       |   |       |       |    |       |       |   |       |       |    |       |       |   |       |       |    |       |       |   |       |       |    |       |       |   |       |       |    |       |       |   |       |       |    |       |       |   |       |       |    |      |      |   |       |       |    |      |      |    |       |       |    |      |      |    |       |       |    |      |       |    |       |       |    |      |       |
| 4   | -2,47  | 2,47   |  |       |       |   |   |       |       |   |       |       |    |       |       |   |       |       |    |       |       |   |       |       |    |       |       |   |       |       |    |       |       |   |       |       |    |       |       |   |       |       |    |       |       |   |       |       |    |       |       |   |       |       |    |      |      |   |       |       |    |      |      |    |       |       |    |      |      |    |       |       |    |      |       |    |       |       |    |      |       |
| 5   | 2,47   | 2,47   |  |       |       |   |   |       |       |   |       |       |    |       |       |   |       |       |    |       |       |   |       |       |    |       |       |   |       |       |    |       |       |   |       |       |    |       |       |   |       |       |    |       |       |   |       |       |    |       |       |   |       |       |    |      |      |   |       |       |    |      |      |    |       |       |    |      |      |    |       |       |    |      |       |    |       |       |    |      |       |
| 6   | -2,47  | -2,47  |  |       |       |   |   |       |       |   |       |       |    |       |       |   |       |       |    |       |       |   |       |       |    |       |       |   |       |       |    |       |       |   |       |       |    |       |       |   |       |       |    |       |       |   |       |       |    |       |       |   |       |       |    |      |      |   |       |       |    |      |      |    |       |       |    |      |      |    |       |       |    |      |       |    |       |       |    |      |       |
| 7   | 2,47   | -2,47  |  |       |       |   |   |       |       |   |       |       |    |       |       |   |       |       |    |       |       |   |       |       |    |       |       |   |       |       |    |       |       |   |       |       |    |       |       |   |       |       |    |       |       |   |       |       |    |       |       |   |       |       |    |      |      |   |       |       |    |      |      |    |       |       |    |      |      |    |       |       |    |      |       |    |       |       |    |      |       |
| 8   | 0,00   | -0,70  |  |       |       |   |   |       |       |   |       |       |    |       |       |   |       |       |    |       |       |   |       |       |    |       |       |   |       |       |    |       |       |   |       |       |    |       |       |   |       |       |    |       |       |   |       |       |    |       |       |   |       |       |    |      |      |   |       |       |    |      |      |    |       |       |    |      |      |    |       |       |    |      |       |    |       |       |    |      |       |
| <p>5 pol</p>    | <p>5 pol stereo (DIN 41524)</p>              | <p>6 pol (DIN 45322)</p>                      | <p>12 pol</p> <table border="1" data-bbox="1181 806 1308 1086"> <thead> <tr> <th></th> <th>X</th> <th>Y</th> </tr> </thead> <tbody> <tr><td>A</td><td>-0,41</td><td>-3,45</td></tr> <tr><td>B</td><td>2,29</td><td>-3,61</td></tr> <tr><td>C</td><td>4,10</td><td>-1,21</td></tr> <tr><td>D</td><td>3,20</td><td>1,34</td></tr> <tr><td>E</td><td>2,71</td><td>3,59</td></tr> <tr><td>F</td><td>0,41</td><td>3,45</td></tr> <tr><td>G</td><td>-2,29</td><td>3,61</td></tr> <tr><td>H</td><td>-4,10</td><td>1,21</td></tr> <tr><td>J</td><td>-3,20</td><td>-1,34</td></tr> <tr><td>K</td><td>-2,71</td><td>-3,59</td></tr> <tr><td>L</td><td>2,00</td><td>-1,51</td></tr> <tr><td>M</td><td>-2,00</td><td>1,51</td></tr> </tbody> </table>  |       | X     | Y | A | -0,41 | -3,45 | B | 2,29  | -3,61 | C  | 4,10  | -1,21 | D | 3,20  | 1,34  | E  | 2,71  | 3,59  | F | 0,41  | 3,45  | G  | -2,29 | 3,61  | H | -4,10 | 1,21  | J  | -3,20 | -1,34 | K | -2,71 | -3,59 | L  | 2,00  | -1,51 | M | -2,00 | 1,51  |    |       |       |   |       |       |    |       |       |   |       |       |    |      |      |   |       |       |    |      |      |    |       |       |    |      |      |    |       |       |    |      |       |    |       |       |    |      |       |
|   | X  | Y  |  |       |       |   |   |       |       |   |       |       |    |       |       |   |       |       |    |       |       |   |       |       |    |       |       |   |       |       |    |       |       |   |       |       |    |       |       |   |       |       |    |       |       |   |       |       |    |       |       |   |       |       |    |      |      |   |       |       |    |      |      |    |       |       |    |      |      |    |       |       |    |      |       |    |       |       |    |      |       |
| A   | -0,41  | -3,45  |  |       |       |   |   |       |       |   |       |       |    |       |       |   |       |       |    |       |       |   |       |       |    |       |       |   |       |       |    |       |       |   |       |       |    |       |       |   |       |       |    |       |       |   |       |       |    |       |       |   |       |       |    |      |      |   |       |       |    |      |      |    |       |       |    |      |      |    |       |       |    |      |       |    |       |       |    |      |       |
| B   | 2,29   | -3,61  |  |       |       |   |   |       |       |   |       |       |    |       |       |   |       |       |    |       |       |   |       |       |    |       |       |   |       |       |    |       |       |   |       |       |    |       |       |   |       |       |    |       |       |   |       |       |    |       |       |   |       |       |    |      |      |   |       |       |    |      |      |    |       |       |    |      |      |    |       |       |    |      |       |    |       |       |    |      |       |
| C   | 4,10   | -1,21  |  |       |       |   |   |       |       |   |       |       |    |       |       |   |       |       |    |       |       |   |       |       |    |       |       |   |       |       |    |       |       |   |       |       |    |       |       |   |       |       |    |       |       |   |       |       |    |       |       |   |       |       |    |      |      |   |       |       |    |      |      |    |       |       |    |      |      |    |       |       |    |      |       |    |       |       |    |      |       |
| D   | 3,20   | 1,34   |  |       |       |   |   |       |       |   |       |       |    |       |       |   |       |       |    |       |       |   |       |       |    |       |       |   |       |       |    |       |       |   |       |       |    |       |       |   |       |       |    |       |       |   |       |       |    |       |       |   |       |       |    |      |      |   |       |       |    |      |      |    |       |       |    |      |      |    |       |       |    |      |       |    |       |       |    |      |       |
| E   | 2,71   | 3,59   |  |       |       |   |   |       |       |   |       |       |    |       |       |   |       |       |    |       |       |   |       |       |    |       |       |   |       |       |    |       |       |   |       |       |    |       |       |   |       |       |    |       |       |   |       |       |    |       |       |   |       |       |    |      |      |   |       |       |    |      |      |    |       |       |    |      |      |    |       |       |    |      |       |    |       |       |    |      |       |
| F   | 0,41   | 3,45   |  |       |       |   |   |       |       |   |       |       |    |       |       |   |       |       |    |       |       |   |       |       |    |       |       |   |       |       |    |       |       |   |       |       |    |       |       |   |       |       |    |       |       |   |       |       |    |       |       |   |       |       |    |      |      |   |       |       |    |      |      |    |       |       |    |      |      |    |       |       |    |      |       |    |       |       |    |      |       |
| G   | -2,29  | 3,61   |  |       |       |   |   |       |       |   |       |       |    |       |       |   |       |       |    |       |       |   |       |       |    |       |       |   |       |       |    |       |       |   |       |       |    |       |       |   |       |       |    |       |       |   |       |       |    |       |       |   |       |       |    |      |      |   |       |       |    |      |      |    |       |       |    |      |      |    |       |       |    |      |       |    |       |       |    |      |       |
| H   | -4,10  | 1,21   |  |       |       |   |   |       |       |   |       |       |    |       |       |   |       |       |    |       |       |   |       |       |    |       |       |   |       |       |    |       |       |   |       |       |    |       |       |   |       |       |    |       |       |   |       |       |    |       |       |   |       |       |    |      |      |   |       |       |    |      |      |    |       |       |    |      |      |    |       |       |    |      |       |    |       |       |    |      |       |
| J   | -3,20  | -1,34  |  |       |       |   |   |       |       |   |       |       |    |       |       |   |       |       |    |       |       |   |       |       |    |       |       |   |       |       |    |       |       |   |       |       |    |       |       |   |       |       |    |       |       |   |       |       |    |       |       |   |       |       |    |      |      |   |       |       |    |      |      |    |       |       |    |      |      |    |       |       |    |      |       |    |       |       |    |      |       |
| K   | -2,71  | -3,59  |  |       |       |   |   |       |       |   |       |       |    |       |       |   |       |       |    |       |       |   |       |       |    |       |       |   |       |       |    |       |       |   |       |       |    |       |       |   |       |       |    |       |       |   |       |       |    |       |       |   |       |       |    |      |      |   |       |       |    |      |      |    |       |       |    |      |      |    |       |       |    |      |       |    |       |       |    |      |       |
| L   | 2,00   | -1,51  |  |       |       |   |   |       |       |   |       |       |    |       |       |   |       |       |    |       |       |   |       |       |    |       |       |   |       |       |    |       |       |   |       |       |    |       |       |   |       |       |    |       |       |   |       |       |    |       |       |   |       |       |    |      |      |   |       |       |    |      |      |    |       |       |    |      |      |    |       |       |    |      |       |    |       |       |    |      |       |
| M   | -2,00  | 1,51   |  |       |       |   |   |       |       |   |       |       |    |       |       |   |       |       |    |       |       |   |       |       |    |       |       |   |       |       |    |       |       |   |       |       |    |       |       |   |       |       |    |       |       |   |       |       |    |       |       |   |       |       |    |      |      |   |       |       |    |      |      |    |       |       |    |      |      |    |       |       |    |      |       |    |       |       |    |      |       |
| <p>7 pol</p>   | <p>7 pol (DIN 45329)</p>                    | <p>8 pol (DIN 45326)</p>                     | <p>14 pol</p> <table border="1" data-bbox="1181 1153 1444 1433"> <thead> <tr> <th></th> <th>X</th> <th>Y</th> <th></th> <th>X</th> <th>Y</th> </tr> </thead> <tbody> <tr><td>A</td><td>2,50</td><td>-4,00</td><td>T</td><td>-2,40</td><td>-0,95</td></tr> <tr><td>C</td><td>4,25</td><td>0,00</td><td>U</td><td>-0,95</td><td>-2,40</td></tr> <tr><td>E</td><td>2,30</td><td>4,00</td><td></td><td></td><td></td></tr> <tr><td>G</td><td>-2,30</td><td>4,00</td><td></td><td></td><td></td></tr> <tr><td>J</td><td>-4,25</td><td>0,00</td><td></td><td></td><td></td></tr> <tr><td>L</td><td>-2,50</td><td>-4,00</td><td></td><td></td><td></td></tr> <tr><td>M</td><td>0,95</td><td>-2,40</td><td></td><td></td><td></td></tr> <tr><td>N</td><td>2,40</td><td>-0,95</td><td></td><td></td><td></td></tr> <tr><td>O</td><td>2,40</td><td>0,95</td><td></td><td></td><td></td></tr> <tr><td>P</td><td>0,95</td><td>2,40</td><td></td><td></td><td></td></tr> <tr><td>R</td><td>-0,95</td><td>2,40</td><td></td><td></td><td></td></tr> <tr><td>S</td><td>-2,40</td><td>0,95</td><td></td><td></td><td></td></tr> </tbody> </table>  |       | X     | Y |   | X     | Y     | A | 2,50  | -4,00 | T  | -2,40 | -0,95 | C | 4,25  | 0,00  | U  | -0,95 | -2,40 | E | 2,30  | 4,00  |    |       |       | G | -2,30 | 4,00  |    |       |       | J | -4,25 | 0,00  |    |       |       | L | -2,50 | -4,00 |    |       |       | M | 0,95  | -2,40 |    |       |       | N | 2,40  | -0,95 |    |      |      | O | 2,40  | 0,95  |    |      |      | P  | 0,95  | 2,40  |    |      |      | R  | -0,95 | 2,40  |    |      |       | S  | -2,40 | 0,95  |    |      |       |
|   | X  | Y  |  | X     | Y     |   |   |       |       |   |       |       |    |       |       |   |       |       |    |       |       |   |       |       |    |       |       |   |       |       |    |       |       |   |       |       |    |       |       |   |       |       |    |       |       |   |       |       |    |       |       |   |       |       |    |      |      |   |       |       |    |      |      |    |       |       |    |      |      |    |       |       |    |      |       |    |       |       |    |      |       |
| A   | 2,50   | -4,00  | T  | -2,40 | -0,95 |   |   |       |       |   |       |       |    |       |       |   |       |       |    |       |       |   |       |       |    |       |       |   |       |       |    |       |       |   |       |       |    |       |       |   |       |       |    |       |       |   |       |       |    |       |       |   |       |       |    |      |      |   |       |       |    |      |      |    |       |       |    |      |      |    |       |       |    |      |       |    |       |       |    |      |       |
| C   | 4,25   | 0,00   | U  | -0,95 | -2,40 |   |   |       |       |   |       |       |    |       |       |   |       |       |    |       |       |   |       |       |    |       |       |   |       |       |    |       |       |   |       |       |    |       |       |   |       |       |    |       |       |   |       |       |    |       |       |   |       |       |    |      |      |   |       |       |    |      |      |    |       |       |    |      |      |    |       |       |    |      |       |    |       |       |    |      |       |
| E   | 2,30   | 4,00   |  |       |       |   |   |       |       |   |       |       |    |       |       |   |       |       |    |       |       |   |       |       |    |       |       |   |       |       |    |       |       |   |       |       |    |       |       |   |       |       |    |       |       |   |       |       |    |       |       |   |       |       |    |      |      |   |       |       |    |      |      |    |       |       |    |      |      |    |       |       |    |      |       |    |       |       |    |      |       |
| G   | -2,30  | 4,00   |  |       |       |   |   |       |       |   |       |       |    |       |       |   |       |       |    |       |       |   |       |       |    |       |       |   |       |       |    |       |       |   |       |       |    |       |       |   |       |       |    |       |       |   |       |       |    |       |       |   |       |       |    |      |      |   |       |       |    |      |      |    |       |       |    |      |      |    |       |       |    |      |       |    |       |       |    |      |       |
| J   | -4,25  | 0,00   |  |       |       |   |   |       |       |   |       |       |    |       |       |   |       |       |    |       |       |   |       |       |    |       |       |   |       |       |    |       |       |   |       |       |    |       |       |   |       |       |    |       |       |   |       |       |    |       |       |   |       |       |    |      |      |   |       |       |    |      |      |    |       |       |    |      |      |    |       |       |    |      |       |    |       |       |    |      |       |
| L   | -2,50  | -4,00  |  |       |       |   |   |       |       |   |       |       |    |       |       |   |       |       |    |       |       |   |       |       |    |       |       |   |       |       |    |       |       |   |       |       |    |       |       |   |       |       |    |       |       |   |       |       |    |       |       |   |       |       |    |      |      |   |       |       |    |      |      |    |       |       |    |      |      |    |       |       |    |      |       |    |       |       |    |      |       |
| M   | 0,95   | -2,40  |  |       |       |   |   |       |       |   |       |       |    |       |       |   |       |       |    |       |       |   |       |       |    |       |       |   |       |       |    |       |       |   |       |       |    |       |       |   |       |       |    |       |       |   |       |       |    |       |       |   |       |       |    |      |      |   |       |       |    |      |      |    |       |       |    |      |      |    |       |       |    |      |       |    |       |       |    |      |       |
| N   | 2,40   | -0,95  |  |       |       |   |   |       |       |   |       |       |    |       |       |   |       |       |    |       |       |   |       |       |    |       |       |   |       |       |    |       |       |   |       |       |    |       |       |   |       |       |    |       |       |   |       |       |    |       |       |   |       |       |    |      |      |   |       |       |    |      |      |    |       |       |    |      |      |    |       |       |    |      |       |    |       |       |    |      |       |
| O   | 2,40   | 0,95   |  |       |       |   |   |       |       |   |       |       |    |       |       |   |       |       |    |       |       |   |       |       |    |       |       |   |       |       |    |       |       |   |       |       |    |       |       |   |       |       |    |       |       |   |       |       |    |       |       |   |       |       |    |      |      |   |       |       |    |      |      |    |       |       |    |      |      |    |       |       |    |      |       |    |       |       |    |      |       |
| P   | 0,95   | 2,40   |  |       |       |   |   |       |       |   |       |       |    |       |       |   |       |       |    |       |       |   |       |       |    |       |       |   |       |       |    |       |       |   |       |       |    |       |       |   |       |       |    |       |       |   |       |       |    |       |       |   |       |       |    |      |      |   |       |       |    |      |      |    |       |       |    |      |      |    |       |       |    |      |       |    |       |       |    |      |       |
| R   | -0,95  | 2,40   |  |       |       |   |   |       |       |   |       |       |    |       |       |   |       |       |    |       |       |   |       |       |    |       |       |   |       |       |    |       |       |   |       |       |    |       |       |   |       |       |    |       |       |   |       |       |    |       |       |   |       |       |    |      |      |   |       |       |    |      |      |    |       |       |    |      |      |    |       |       |    |      |       |    |       |       |    |      |       |
| S   | -2,40  | 0,95   |  |       |       |   |   |       |       |   |       |       |    |       |       |   |       |       |    |       |       |   |       |       |    |       |       |   |       |       |    |       |       |   |       |       |    |       |       |   |       |       |    |       |       |   |       |       |    |       |       |   |       |       |    |      |      |   |       |       |    |      |      |    |       |       |    |      |      |    |       |       |    |      |       |    |       |       |    |      |       |
| <p>12 pol</p>  | <p>14 pol</p>                               | <p>19 pol</p>                                | <p>19 pol</p> <table border="1" data-bbox="1181 1489 1444 1769"> <thead> <tr> <th></th> <th>X</th> <th>Y</th> <th></th> <th>X</th> <th>Y</th> </tr> </thead> <tbody> <tr><td>A</td><td>2,50</td><td>-4,00</td><td>N</td><td>2,40</td><td>-0,95</td></tr> <tr><td>B</td><td>4,00</td><td>-2,25</td><td>O</td><td>2,40</td><td>0,95</td></tr> <tr><td>C</td><td>4,25</td><td>0,00</td><td>P</td><td>0,95</td><td>2,40</td></tr> <tr><td>D</td><td>4,00</td><td>2,40</td><td>R</td><td>-0,95</td><td>2,40</td></tr> <tr><td>E</td><td>2,30</td><td>4,00</td><td>S</td><td>-2,40</td><td>0,95</td></tr> <tr><td>F</td><td>0,00</td><td>4,25</td><td>T</td><td>-2,40</td><td>-0,95</td></tr> <tr><td>G</td><td>-2,30</td><td>4,00</td><td>U</td><td>-0,95</td><td>-2,40</td></tr> <tr><td>H</td><td>-4,00</td><td>2,40</td><td></td><td></td><td></td></tr> <tr><td>I</td><td>-4,25</td><td>0,00</td><td></td><td></td><td></td></tr> <tr><td>K</td><td>-4,00</td><td>-2,25</td><td></td><td></td><td></td></tr> <tr><td>L</td><td>-2,50</td><td>-4,00</td><td></td><td></td><td></td></tr> <tr><td>M</td><td>0,95</td><td>-2,40</td><td></td><td></td><td></td></tr> </tbody> </table>   |       | X     | Y |   | X     | Y     | A | 2,50  | -4,00 | N  | 2,40  | -0,95 | B | 4,00  | -2,25 | O  | 2,40  | 0,95  | C | 4,25  | 0,00  | P  | 0,95  | 2,40  | D | 4,00  | 2,40  | R  | -0,95 | 2,40  | E | 2,30  | 4,00  | S  | -2,40 | 0,95  | F | 0,00  | 4,25  | T  | -2,40 | -0,95 | G | -2,30 | 4,00  | U  | -0,95 | -2,40 | H | -4,00 | 2,40  |    |      |      | I | -4,25 | 0,00  |    |      |      | K  | -4,00 | -2,25 |    |      |      | L  | -2,50 | -4,00 |    |      |       | M  | 0,95  | -2,40 |    |      |       |
|   | X  | Y  |  | X     | Y     |   |   |       |       |   |       |       |    |       |       |   |       |       |    |       |       |   |       |       |    |       |       |   |       |       |    |       |       |   |       |       |    |       |       |   |       |       |    |       |       |   |       |       |    |       |       |   |       |       |    |      |      |   |       |       |    |      |      |    |       |       |    |      |      |    |       |       |    |      |       |    |       |       |    |      |       |
| A   | 2,50   | -4,00  | N  | 2,40  | -0,95 |   |   |       |       |   |       |       |    |       |       |   |       |       |    |       |       |   |       |       |    |       |       |   |       |       |    |       |       |   |       |       |    |       |       |   |       |       |    |       |       |   |       |       |    |       |       |   |       |       |    |      |      |   |       |       |    |      |      |    |       |       |    |      |      |    |       |       |    |      |       |    |       |       |    |      |       |
| B   | 4,00   | -2,25  | O  | 2,40  | 0,95  |   |   |       |       |   |       |       |    |       |       |   |       |       |    |       |       |   |       |       |    |       |       |   |       |       |    |       |       |   |       |       |    |       |       |   |       |       |    |       |       |   |       |       |    |       |       |   |       |       |    |      |      |   |       |       |    |      |      |    |       |       |    |      |      |    |       |       |    |      |       |    |       |       |    |      |       |
| C   | 4,25   | 0,00   | P  | 0,95  | 2,40  |   |   |       |       |   |       |       |    |       |       |   |       |       |    |       |       |   |       |       |    |       |       |   |       |       |    |       |       |   |       |       |    |       |       |   |       |       |    |       |       |   |       |       |    |       |       |   |       |       |    |      |      |   |       |       |    |      |      |    |       |       |    |      |      |    |       |       |    |      |       |    |       |       |    |      |       |
| D   | 4,00   | 2,40   | R  | -0,95 | 2,40  |   |   |       |       |   |       |       |    |       |       |   |       |       |    |       |       |   |       |       |    |       |       |   |       |       |    |       |       |   |       |       |    |       |       |   |       |       |    |       |       |   |       |       |    |       |       |   |       |       |    |      |      |   |       |       |    |      |      |    |       |       |    |      |      |    |       |       |    |      |       |    |       |       |    |      |       |
| E   | 2,30   | 4,00   | S  | -2,40 | 0,95  |   |   |       |       |   |       |       |    |       |       |   |       |       |    |       |       |   |       |       |    |       |       |   |       |       |    |       |       |   |       |       |    |       |       |   |       |       |    |       |       |   |       |       |    |       |       |   |       |       |    |      |      |   |       |       |    |      |      |    |       |       |    |      |      |    |       |       |    |      |       |    |       |       |    |      |       |
| F   | 0,00   | 4,25   | T  | -2,40 | -0,95 |   |   |       |       |   |       |       |    |       |       |   |       |       |    |       |       |   |       |       |    |       |       |   |       |       |    |       |       |   |       |       |    |       |       |   |       |       |    |       |       |   |       |       |    |       |       |   |       |       |    |      |      |   |       |       |    |      |      |    |       |       |    |      |      |    |       |       |    |      |       |    |       |       |    |      |       |
| G   | -2,30  | 4,00   | U  | -0,95 | -2,40 |   |   |       |       |   |       |       |    |       |       |   |       |       |    |       |       |   |       |       |    |       |       |   |       |       |    |       |       |   |       |       |    |       |       |   |       |       |    |       |       |   |       |       |    |       |       |   |       |       |    |      |      |   |       |       |    |      |      |    |       |       |    |      |      |    |       |       |    |      |       |    |       |       |    |      |       |
| H   | -4,00  | 2,40   |  |       |       |   |   |       |       |   |       |       |    |       |       |   |       |       |    |       |       |   |       |       |    |       |       |   |       |       |    |       |       |   |       |       |    |       |       |   |       |       |    |       |       |   |       |       |    |       |       |   |       |       |    |      |      |   |       |       |    |      |      |    |       |       |    |      |      |    |       |       |    |      |       |    |       |       |    |      |       |
| I   | -4,25  | 0,00   |  |       |       |   |   |       |       |   |       |       |    |       |       |   |       |       |    |       |       |   |       |       |    |       |       |   |       |       |    |       |       |   |       |       |    |       |       |   |       |       |    |       |       |   |       |       |    |       |       |   |       |       |    |      |      |   |       |       |    |      |      |    |       |       |    |      |      |    |       |       |    |      |       |    |       |       |    |      |       |
| K   | -4,00  | -2,25  |  |       |       |   |   |       |       |   |       |       |    |       |       |   |       |       |    |       |       |   |       |       |    |       |       |   |       |       |    |       |       |   |       |       |    |       |       |   |       |       |    |       |       |   |       |       |    |       |       |   |       |       |    |      |      |   |       |       |    |      |      |    |       |       |    |      |      |    |       |       |    |      |       |    |       |       |    |      |       |
| L   | -2,50  | -4,00  |  |       |       |   |   |       |       |   |       |       |    |       |       |   |       |       |    |       |       |   |       |       |    |       |       |   |       |       |    |       |       |   |       |       |    |       |       |   |       |       |    |       |       |   |       |       |    |       |       |   |       |       |    |      |      |   |       |       |    |      |      |    |       |       |    |      |      |    |       |       |    |      |       |    |       |       |    |      |       |
| M   | 0,95   | -2,40  |  |       |       |   |   |       |       |   |       |       |    |       |       |   |       |       |    |       |       |   |       |       |    |       |       |   |       |       |    |       |       |   |       |       |    |       |       |   |       |       |    |       |       |   |       |       |    |       |       |   |       |       |    |      |      |   |       |       |    |      |      |    |       |       |    |      |      |    |       |       |    |      |       |    |       |       |    |      |       |
| <p>24 pol</p>  | <p>Montageausschnitt<br/>Panel cut out</p>  | <p>Empfohlene Bohrdurchmesser<br/>Recommended drill hole</p> <p>2-8 pol 1,1 mm (.043 in.)</p> <p>12-24 pol 0,8 mm (.031 in.)</p> | <p>24 pol</p> <table border="1" data-bbox="1181 1836 1444 2116"> <thead> <tr> <th></th> <th>X</th> <th>Y</th> <th></th> <th>X</th> <th>Y</th> </tr> </thead> <tbody> <tr><td>1</td><td>-4,00</td><td>-1,50</td><td>13</td><td>0,80</td><td>3,10</td></tr> <tr><td>2</td><td>-4,00</td><td>0,35</td><td>14</td><td>0,80</td><td>1,30</td></tr> <tr><td>3</td><td>-4,00</td><td>2,20</td><td>15</td><td>0,80</td><td>-0,55</td></tr> <tr><td>4</td><td>-2,40</td><td>3,10</td><td>16</td><td>0,80</td><td>-2,40</td></tr> <tr><td>5</td><td>-2,40</td><td>1,30</td><td>17</td><td>2,40</td><td>-3,30</td></tr> <tr><td>6</td><td>-2,40</td><td>-0,55</td><td>18</td><td>2,40</td><td>-1,50</td></tr> <tr><td>7</td><td>-2,40</td><td>-2,40</td><td>19</td><td>2,40</td><td>0,35</td></tr> <tr><td>8</td><td>-0,80</td><td>-3,30</td><td>20</td><td>2,40</td><td>2,20</td></tr> <tr><td>9</td><td>-0,80</td><td>-1,50</td><td>21</td><td>2,40</td><td>4,00</td></tr> <tr><td>10</td><td>-0,80</td><td>0,35</td><td>22</td><td>4,00</td><td>1,30</td></tr> <tr><td>11</td><td>-0,80</td><td>2,20</td><td>23</td><td>4,00</td><td>-0,55</td></tr> <tr><td>12</td><td>-0,80</td><td>4,00</td><td>24</td><td>4,00</td><td>-2,40</td></tr> </tbody> </table> |       | X     | Y |   | X     | Y     | 1 | -4,00 | -1,50 | 13 | 0,80  | 3,10  | 2 | -4,00 | 0,35  | 14 | 0,80  | 1,30  | 3 | -4,00 | 2,20  | 15 | 0,80  | -0,55 | 4 | -2,40 | 3,10  | 16 | 0,80  | -2,40 | 5 | -2,40 | 1,30  | 17 | 2,40  | -3,30 | 6 | -2,40 | -0,55 | 18 | 2,40  | -1,50 | 7 | -2,40 | -2,40 | 19 | 2,40  | 0,35  | 8 | -0,80 | -3,30 | 20 | 2,40 | 2,20 | 9 | -0,80 | -1,50 | 21 | 2,40 | 4,00 | 10 | -0,80 | 0,35  | 22 | 4,00 | 1,30 | 11 | -0,80 | 2,20  | 23 | 4,00 | -0,55 | 12 | -0,80 | 4,00  | 24 | 4,00 | -2,40 |
|   | X  | Y  |  | X     | Y     |   |   |       |       |   |       |       |    |       |       |   |       |       |    |       |       |   |       |       |    |       |       |   |       |       |    |       |       |   |       |       |    |       |       |   |       |       |    |       |       |   |       |       |    |       |       |   |       |       |    |      |      |   |       |       |    |      |      |    |       |       |    |      |      |    |       |       |    |      |       |    |       |       |    |      |       |
| 1   | -4,00  | -1,50  | 13   | 0,80  | 3,10  |   |   |       |       |   |       |       |    |       |       |   |       |       |    |       |       |   |       |       |    |       |       |   |       |       |    |       |       |   |       |       |    |       |       |   |       |       |    |       |       |   |       |       |    |       |       |   |       |       |    |      |      |   |       |       |    |      |      |    |       |       |    |      |      |    |       |       |    |      |       |    |       |       |    |      |       |
| 2   | -4,00  | 0,35   | 14   | 0,80  | 1,30  |   |   |       |       |   |       |       |    |       |       |   |       |       |    |       |       |   |       |       |    |       |       |   |       |       |    |       |       |   |       |       |    |       |       |   |       |       |    |       |       |   |       |       |    |       |       |   |       |       |    |      |      |   |       |       |    |      |      |    |       |       |    |      |      |    |       |       |    |      |       |    |       |       |    |      |       |
| 3   | -4,00  | 2,20   | 15   | 0,80  | -0,55 |   |   |       |       |   |       |       |    |       |       |   |       |       |    |       |       |   |       |       |    |       |       |   |       |       |    |       |       |   |       |       |    |       |       |   |       |       |    |       |       |   |       |       |    |       |       |   |       |       |    |      |      |   |       |       |    |      |      |    |       |       |    |      |      |    |       |       |    |      |       |    |       |       |    |      |       |
| 4   | -2,40  | 3,10   | 16   | 0,80  | -2,40 |   |   |       |       |   |       |       |    |       |       |   |       |       |    |       |       |   |       |       |    |       |       |   |       |       |    |       |       |   |       |       |    |       |       |   |       |       |    |       |       |   |       |       |    |       |       |   |       |       |    |      |      |   |       |       |    |      |      |    |       |       |    |      |      |    |       |       |    |      |       |    |       |       |    |      |       |
| 5   | -2,40  | 1,30   | 17   | 2,40  | -3,30 |   |   |       |       |   |       |       |    |       |       |   |       |       |    |       |       |   |       |       |    |       |       |   |       |       |    |       |       |   |       |       |    |       |       |   |       |       |    |       |       |   |       |       |    |       |       |   |       |       |    |      |      |   |       |       |    |      |      |    |       |       |    |      |      |    |       |       |    |      |       |    |       |       |    |      |       |
| 6   | -2,40  | -0,55  | 18   | 2,40  | -1,50 |   |   |       |       |   |       |       |    |       |       |   |       |       |    |       |       |   |       |       |    |       |       |   |       |       |    |       |       |   |       |       |    |       |       |   |       |       |    |       |       |   |       |       |    |       |       |   |       |       |    |      |      |   |       |       |    |      |      |    |       |       |    |      |      |    |       |       |    |      |       |    |       |       |    |      |       |
| 7   | -2,40  | -2,40  | 19   | 2,40  | 0,35  |   |   |       |       |   |       |       |    |       |       |   |       |       |    |       |       |   |       |       |    |       |       |   |       |       |    |       |       |   |       |       |    |       |       |   |       |       |    |       |       |   |       |       |    |       |       |   |       |       |    |      |      |   |       |       |    |      |      |    |       |       |    |      |      |    |       |       |    |      |       |    |       |       |    |      |       |
| 8   | -0,80  | -3,30  | 20   | 2,40  | 2,20  |   |   |       |       |   |       |       |    |       |       |   |       |       |    |       |       |   |       |       |    |       |       |   |       |       |    |       |       |   |       |       |    |       |       |   |       |       |    |       |       |   |       |       |    |       |       |   |       |       |    |      |      |   |       |       |    |      |      |    |       |       |    |      |      |    |       |       |    |      |       |    |       |       |    |      |       |
| 9   | -0,80  | -1,50  | 21   | 2,40  | 4,00  |   |   |       |       |   |       |       |    |       |       |   |       |       |    |       |       |   |       |       |    |       |       |   |       |       |    |       |       |   |       |       |    |       |       |   |       |       |    |       |       |   |       |       |    |       |       |   |       |       |    |      |      |   |       |       |    |      |      |    |       |       |    |      |      |    |       |       |    |      |       |    |       |       |    |      |       |
| 10  | -0,80  | 0,35   | 22   | 4,00  | 1,30  |   |   |       |       |   |       |       |    |       |       |   |       |       |    |       |       |   |       |       |    |       |       |   |       |       |    |       |       |   |       |       |    |       |       |   |       |       |    |       |       |   |       |       |    |       |       |   |       |       |    |      |      |   |       |       |    |      |      |    |       |       |    |      |      |    |       |       |    |      |       |    |       |       |    |      |       |
| 11  | -0,80  | 2,20   | 23   | 4,00  | -0,55 |   |   |       |       |   |       |       |    |       |       |   |       |       |    |       |       |   |       |       |    |       |       |   |       |       |    |       |       |   |       |       |    |       |       |   |       |       |    |       |       |   |       |       |    |       |       |   |       |       |    |      |      |   |       |       |    |      |      |    |       |       |    |      |      |    |       |       |    |      |       |    |       |       |    |      |       |
| 12  | -0,80  | 4,00   | 24   | 4,00  | -2,40 |   |   |       |       |   |       |       |    |       |       |   |       |       |    |       |       |   |       |       |    |       |       |   |       |       |    |       |       |   |       |       |    |       |       |   |       |       |    |       |       |   |       |       |    |       |       |   |       |       |    |      |      |   |       |       |    |      |      |    |       |       |    |      |      |    |       |       |    |      |       |    |       |       |    |      |       |

Ü  
TI

702  
709  
710  
711  
712  
719

423

440  
581  
678  
680  
682  
720  
723

623  
690  
691  
692  
693  
694  
707  
713  
718  
763

765  
768  
714  
715  
766  
815  
820

772  
775  
M-A  
M-B  
M-C

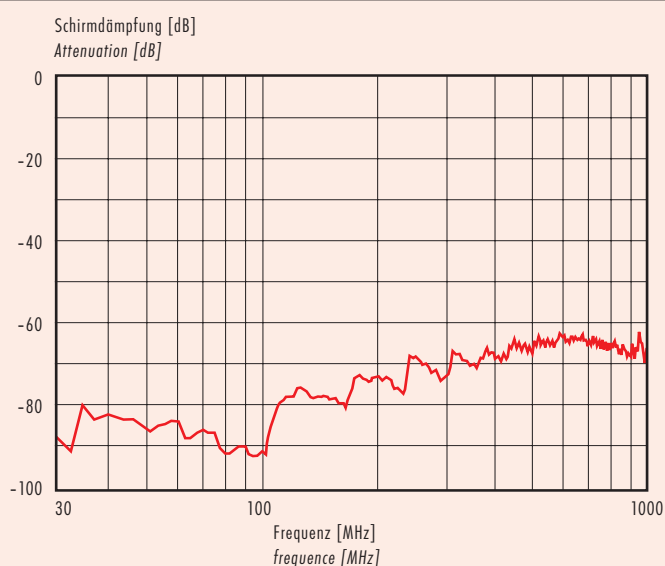
R

## Miniatur Rundsteckverbinder Serie 423 Miniature circular connectors series 423

## Kennlinien Ratings

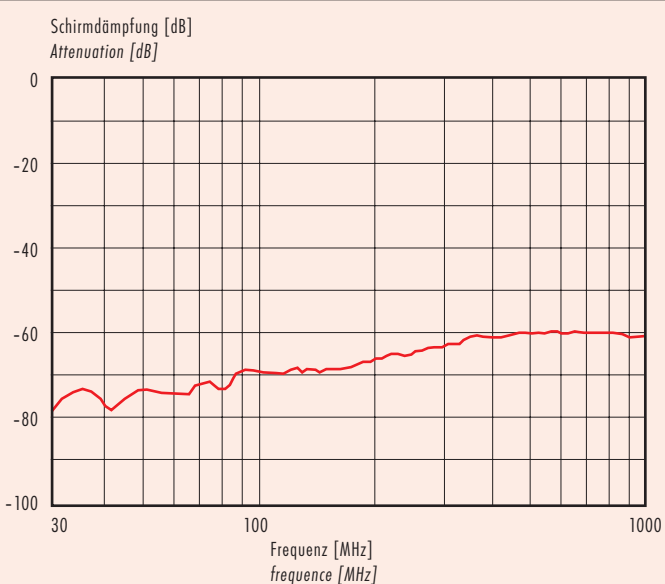
Schirmdämpfungskurve nach DIN 47 250-6 für Kabelstecker, gerade Ausführung mit Schirmring, (Kabeltyp IEEE 802.3)

*Attenuation curve according to DIN 47 250-6 for straight male cable connectors with shielding ring, (cable version IEEE 802.3)*



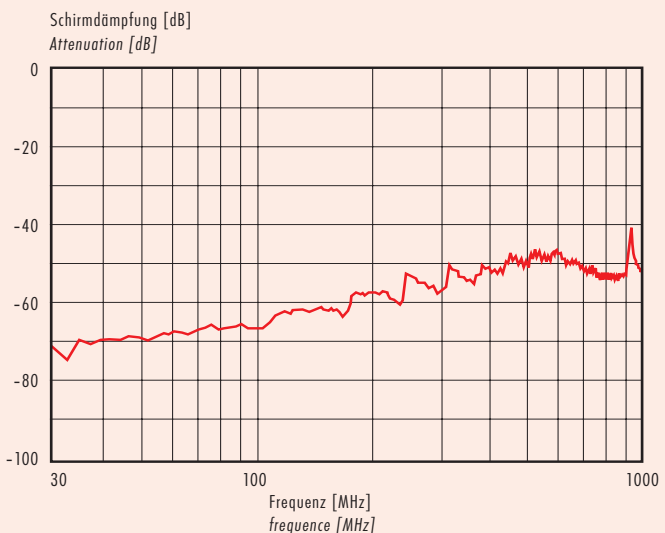
Schirmdämpfungskurve nach DIN 47 250-6 für Kabelstecker, gerade Ausführung mit Kabelklemme, (Kabeltyp IEEE 802.3)

*Attenuation curve according to DIN 47 250-6 for straight female cable connector with cable clamp, (cable version IEEE 802.3)*



Schirmdämpfungskurve nach DIN 47 250 für Winkelsteckverbinder (Kabeltyp IEEE 802.3)

*Attenuation curve according to DIN 47 250 for angled cable connectors (cable version IEEE 802.3)*



Ü  
TI

702  
709  
710  
711  
712  
719  
**423**

440  
581  
678

680  
682  
720  
723  
623  
690  
691

692  
693  
694  
707  
713  
718  
763

765  
768  
714  
715  
766  
815  
820

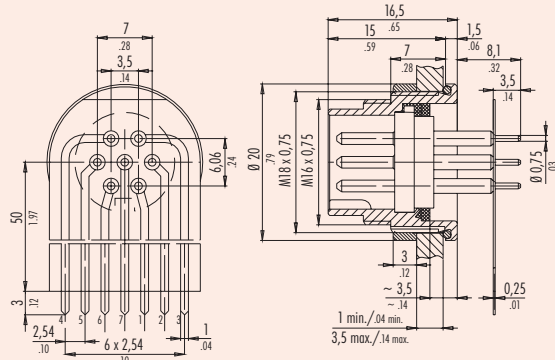
772  
775  
M-A  
M-B  
M-C

R

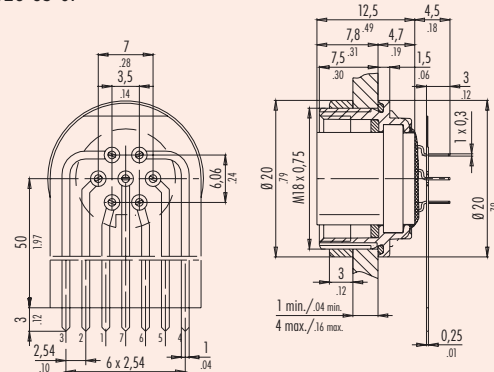
## Miniatur Rundsteckverbinder Serie 423 Miniature circular connectors series 423

## Zeichnungen Drawings

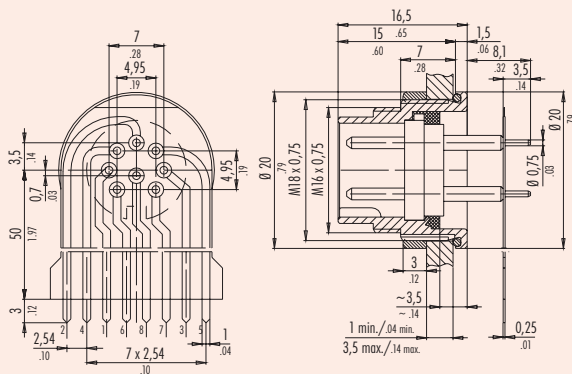
09-0127-65-07



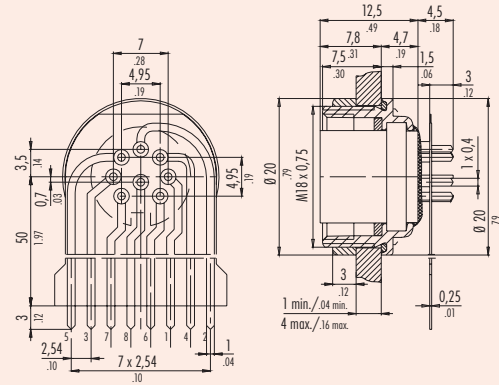
09-0128-65-07



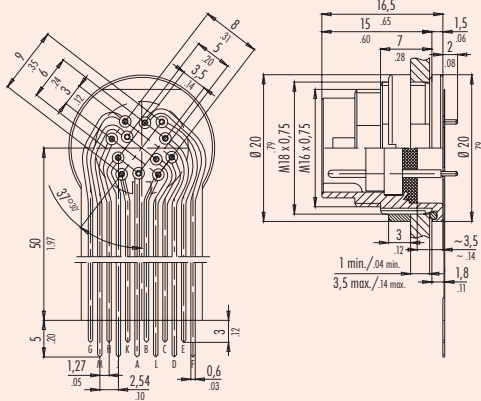
09-0173-65-08



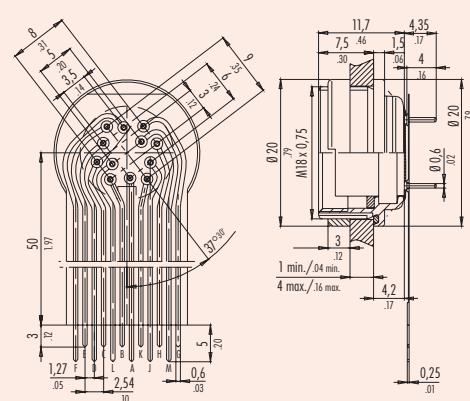
09-0174-65-08



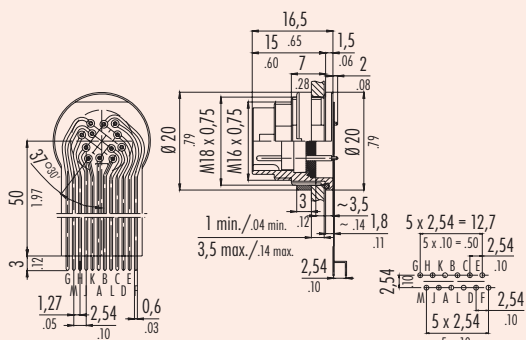
09-0131-62-12



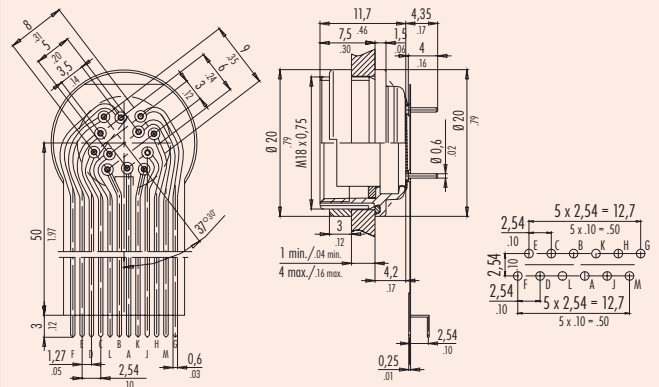
09-0132-65-12



09-0131-68-12



09-0132-66-12



- Ü
- TI
- 702
- 709
- 710
- 711
- 712
- 719
- 423
- 440
- 581
- 678
- 680
- 682
- 720
- 723
- 623
- 690
- 691
- 692
- 693
- 694
- 707
- 713
- 718
- 763
- 765
- 768
- 714
- 715
- 766
- 815
- 820
- 772
- 775
- M-A
- M-B
- M-C
- R

Ü

TI

702

709

710

711

712

719

**423**

440

581

678

680

682

720

723

623

690

691

692

693

694

707

713

718

763

765

768

714

715

766

815

820

772

775

M-A

M-B

M-C

R