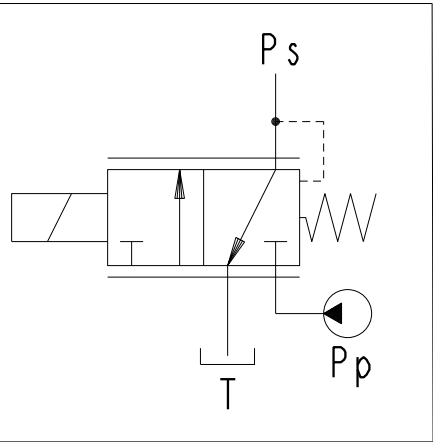
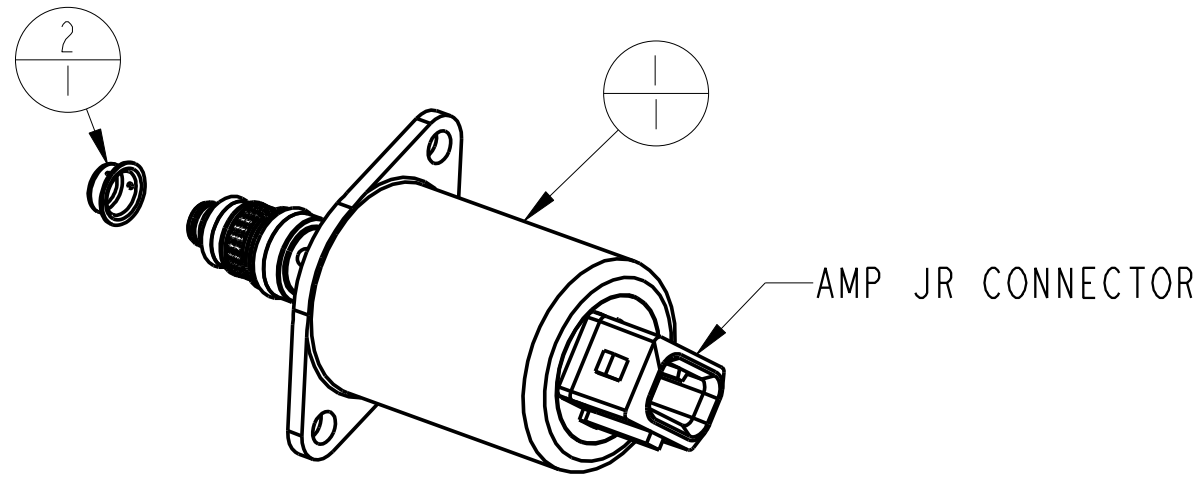


SYM.	REVISION DESCRIPTION
-	-

NOTES:

- ▽ SOLENOID OPERATE AT 24VDC/25 BAR
- ▽ SOLENOID CAVITY PER ENGRG SPEC 2.003.346
OPTIONAL ENGRG SPEC 2.003.343



TOLERANCE UNLESS OTHERWISE SPECIFIED
ARE REFERENCE DIMENSIONS
DIMENSIONS ARE INCH

PARKER SWEDEN HAS DESIGN CONTROL
OVER THIS PART.
PARKER SWEDEN PART NUMBER 3769592

2	396 2183 049	1	RESTRICTOR-2MM
1	3769592	1	SOLENOID-24V
ITEM	PART NUMBER	REQD	DESCRIPTION

-	-	-	-	CUSTOMER	-	REQ'D ENGR'G STANDARDS	MATERIAL	SUPERSEDES	-	PARKER HANNIFIN CORP. HYDRAULIC VALVE DIV. ELYRIA, OH 44036, USA								
-	-	-	-	TOLERANCE UNLESS OTHERWISE SPECIFIED	-	-	-	SUPERSEDED BY	-									
-	-	-	-	REFERENCE DIMENSIONS	-	-	HEAT TREAT	PROD. STATUS	-	DESCRIPTION								
-	-	-	-	REFERENCE DIMENSIONS	-	-	-	-	-	SOL ASSY=3769592+RESTRICTOR								
-	-	-	-	DIMENSIONS ARE INCH	-	-	-	ECN NO.	HV090055	DWG NO.	396 4101 047	EXP. NO.	-					
-	-	-	-	THIS DOCUMENT CONTAINS INFORMATION THAT IS CONFIDENTIAL AND PROPRIETARY TO PARKER HANNIFIN CORPORATION ("PARKER"). IT IS NOT TO BE COPIED OR DISCLOSED TO OTHERS OR USED FOR ANY PURPOSE OTHER THAN CONDUCTING BUSINESS WITH PARKER. THE RECIPIENT OF THIS DOCUMENT, THROUGH ITS OWN ANALYSIS AND TESTING, IS SOLELY RESPONSIBLE FOR MAKING THE FINAL SELECTION OF THE APPLICABLE SYSTEM AND COMPONENTS AND ASSURING THAT ALL PERFORMANCE, ENDURANCE, MAINTENANCE, SAFETY AND WARNING REQUIREMENTS OF THE APPLICATION ARE MET.	-	-	FINISH	-	SCALE	1:1	SIZE	A	CODE	-	SHEET	1 OF 1	REV.	-
REV	DATE	DRN	ECN NO.		-	-	-	DO NOT SCALE DRAWING	THIRD ANGLE PROJECTION	+	DR BY	WPD	DR DATE	022609	CHK BY	DCS	CH DATE	030209