



## Indicators and Alarm Units Specification Sheet

- Universal input
- Strain gauge input
- Changeover relay
- PV Retransmission
- FM/EN14597 TW Approval
- Scrolling text messages
- Parameter help text
- Recipes
- Modbus comms
- Multi-language support (French, German, Spanish and Italian)

The Eurotherm range of 3200i indicators offer accurate indication of temperature and process measurements. Process interlocks, including overtemperature furnace limits, are implemented using relay output channels.

The emphasis is on ease of use. A simple 'Quick Start' code is used to configure all the functions essential for indication and protecting your process. This includes input sensor type, measurement range and alarms making 'Out the Box' operation truly achievable. In operation every parameter has a scrolling text message describing its function and is available in English, German, French, Spanish or Italian. More advanced features, including scrolling text messages, are configured using iTools, a PC based configuration wizard, which is an easy to use and instructive guide to all the functions available.

### Universal input

A wide range of temperature and process inputs can be selected using the front panel push buttons without the need for any hardware change. This provides easy on-site set up.

### Strain gauge input

Melt pressure and weigh scale inputs can be energised from an internal 10Vdc transducer supply. An automatic shunt calibration routine is provided to remove zero and span offsets. The display on the 32h8i can show a full 5 digit value.

### Process alarms

Four internal alarm setpoints are provided. They can be used to energise up to three relay outputs, which can be latched if required. A special mode, known as 'Alarm Blocking', is available which ensures that when the unit is powered up an alarm must first enter a good state before the alarm becomes active. This is particularly useful for low alarms which can be blocked while the process is warming up.

**Custom text messaging**

Custom messages can be created with iTools and downloaded to the 3200i to display when an event, alarm or process condition occurs. This provides the operator with good visibility of what is happening in the process and provides messages that they can understand and act upon.

**Recipes**

iTools recipes can be created that can be used to change the operating parameters of the 3200i simply by selecting a recipe using the 3200i push buttons. This is very useful where multiple products are processed but require different parameters to be set. It can also be used to change the set-up of an indicator therefore allowing one unit to be used as a spare for multiple applications.

**Analogue retransmission**

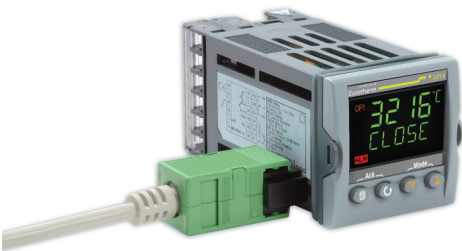
The measured process value can be retransmitted as either a mA or voltage signal with a selection of outputs including 4-20mA and 0-10V dc. In the 32h8i this signal is isolated from all other electronics within the unit.

**Digital communication**

All units support both EIA232 and EIA485 communication using the Modbus protocol as a slave device. It is also possible to digitally retransmit one parameter using a Modbus broadcast to all other Modbus devices on the network.

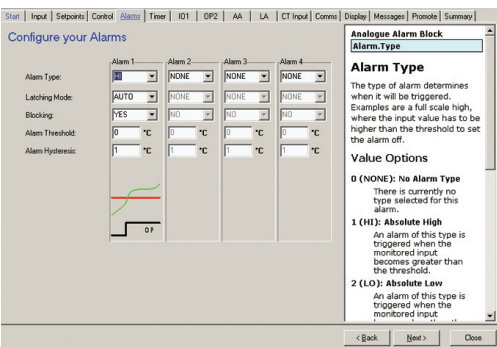
**Configuration adaptor**

PC configuration to all 3200i indicators can be achieved by using a configuration adaptor. It provides iTools with the ability to communicate with and configure devices without any power being connected.



**iTools wizard**

Used to simplify the set up of 3200i series indicators, the wizard guides the user through the configuration process with interactive help and graphical demonstrations of features.



**Specification**

**General**

**Environmental performance**

Temperature limits	Operation:	0 to 55°C
	Storage:	-10 to 70°C
Humidity limits	Operation:	5 to 90% RH non condensing
	Storage:	5 to 90% RH non condensing
Panel sealing:		IP65, Nema 4X
Shock:		BS EN61010
Vibration:		2g peak, 10 to 150Hz
Altitude:		<2000 metres
Atmospheres:		Not suitable for use in explosive or corrosive atmosphere

**Electromagnetic compatibility (EMC)**

Emissions and immunity:	BS EN61326
-------------------------	------------

**Electrical safety**  
(BS EN61010):

Installation cat. II; Pollution degree 2
--

**INSTALLATION CATEGORY II**  
The rate impulse voltage for equipment on nominal 230V mains is 2500V.

**POLLUTION DEGREE 2**  
Normally, only non-conductive pollution occurs. Occasionally, however, a temporary conductivity caused by condensation shall be expected

**Physical**

Dimensions	3216i:	48W x 48H x 90D mm	
	3204i:	96W x 96H x 90D mm	
	32h8i:	96W x 48H x 90D mm	
Weight	3216i:	250g	
	3204i:	420g	
	32h8i:	350g	
Panel	Mounting	Cut out dimensions	
	3216i:	1/16 DIN	45W x 45H mm
	3204i:	1/4 DIN	92W x 92H mm
	32h8i:	1/8 DIN, horizontal	92W x 45H mm

**Operator interface**

Type:	LCD TN with backlight
Main PV display	3216i, 3204i: 4 digits, green
	32h8i: 5 digits, green or red
Lower display	3216i, 3204i: 5 character starburst, green
	32h8i: 9 character starburst, green
Status beacons:	Units, outputs, alarms

**Power requirements**

3216i:	100 to 230Vac, ±15%, 48 to 62 Hz, max 6W 24Vac, -15%, +10%. 24Vdc, -15% +20% ±5% ripple voltage max 6W
32h8i, 3204i:	100 to 230Vac, ±15%, 48 to 62 Hz, max 8W 24Vac, -15%, +10%. 24Vdc -15% +20% ±5% ripple voltage max 8W

**Approvals**

CE, cUL listed (file E57766), Gost, FM, EN14597 TW approval number TW1222

**Transmitter PSU (not 3216i)**

Rating:	24V dc, 20mA
Isolation:	264V ac double insulated

**Communications**

**Serial communications option**

Protocol:	Modbus RTU slave Modbus RTU Master broadcast (1 parameter)
Isolation:	264V ac, double insulated
Transmission standard:	EIA232 or EIA485 (2 wire)

## Process variable input

Calibration accuracy:	<±0.25% of reading ±1LSD (Note 1)
Sample rate:	10Hz(100ms)
Isolation:	264V ac double insulation from the PSU and communication
Resolution (µV):	<0.5µV with 1.6s filter (mV range) <0.25mV with 1.6s filter (Volts range)
Resolution (effective bits):	>17 bits
Linearisation accuracy:	< 0.1% of reading
Drift with temperature:	<50ppm (typical) <100ppm (worst case)
Common mode rejection:	48-62Hz, >-120db
Series mode rejection:	48-62Hz, >-93dB
Input impedance:	100MΩ (200KΩ on volts range C)
Cold junction compensation:	>30/1 rejection of ambient change
External cold junction:	Reference of 0°C
Cold junction accuracy:	<±1°C at 25°C ambient
Linear(process) input range:	-10 to 80mV, 0 to 10V requires 100KΩ/ 806Ω external divider module (not 32h8i)
Thermocouple types:	K, J, N, R, S, B, L, T, C, custom download (Note 2)
Resistance thermometer types:	3-wire Pt100 DIN 43760
Bulb current:	0.2mA
Lead compensation:	No error for 22 ohms in all leads
Input filter:	Off to 100s
Zero offset:	User adjustable over full range
User calibration:	2-point gain & offset

## Strain gauge input (32h8i)

Input type:	350Ω Bridge
Connection:	4 or 6 wire (6 uses internal shunt)
Calibration accuracy:	+0.1% of full scale
Sample time:	10Hz (100ms)
Isolation:	264V ac double isolation from the PSU and communications
Excitation:	10Vdc +7%
Sensitivity:	1.4 to 4mV/V
Input span:	-27% to +127% of full scale (approx. -10mV to +5mV):
Zero balance:	+ 25% of full scale
Tare:	+ 25% of full scale
Resolution (mV):	0.3mV/V(typical) with 1.6s filter
Resolution (effective bits):	14.3 bits
Drift with temperature:	<100ppm/°C of full scale
Common mode rejection:	48-62Hz, >-120db
Series mode rejection:	48-62Hz, >-60db
Input filter:	Off to 100s

## AA relay

Type:	Form C (changeover)
Rating:	Min 100mA@12V dc, max 2A@264V ac resistive
Functions:	Alarms, events

## Digital input A/B

Contact closure:	Open >600Ω, closed <300Ω
Input current:	<13mA
Isolation:	None from PV or system 264V ac double insulated from PSU and communications
Functions:	Includes alarm acknowledge, keylock, alarm inhibit, freeze display, tare, auto zero, peak reset

## Logic I/O module (3216i only)

### Output

Rating:	ON 12Vcdc@<44mA, OFF <300mV@100µA
Isolation:	None from PV or system 264V ac double insulated from PSU and communications
Functions:	Alarms, events

### Digital input

Contact closure:	Open >500Ω, closed <150Ω
Isolation:	None from PV or system 264V ac double insulated from PSU and communications
Functions:	Includes alarm acknowledge, keylock, alarm inhibit, freeze display, tare, auto zero, peak reset

## Relay output channels

Type	3216i: Form A (normally open) 32h8i, 3204i: Form C (changeover)
Rating:	Min 100mA@12V dc, max 2A@264V ac resistive
Functions:	Alarms, events

## Analogue output

### OP1, OP2 (3216i only)

Rating:	0-20mA into <500Ω
Accuracy:	± (<0.5% of Reading + <100µA)
Resolution:	11.5 bits
Isolation:	None from PV or system 264V ac double insulated from PSU and communications
Functions:	Retransmission

### OP 3 (not on 3216i)

Isolation:	264V ac double insulated
Functions:	Retransmission

### Current Output

Rating:	0-20mA into <500Ω
Accuracy:	±(<0.25% of Reading + <50µA)
Resolution:	13.6 bits

### Voltage Output (not on 3204i)

Rating:	0-10V into >500Ω
Accuracy:	±(<0.25% of Reading + <25mV)
Resolution:	13.6 bits

## Software features

### Alarms

Number:	4
Type:	Absolute high & low, Rate of change (rising or falling)
Latching:	Auto or manual latching, non-latching, event only
Output assignment:	Up to four conditions can be assigned to one output

### Other status outputs

Functions:	Including sensor break, power fail, new alarm, pre-alarm
Output assignment:	Up to four conditions can be assigned to one output

### Custom messages

Number:	15 scrolling text messages
No of characters:	127 characters per message max
Languages:	English, German, French, Spanish, Italian
Selection:	Active on any parameter status using conditional command

### Recipes

Number:	5 recipes with 19 parameters
Selection:	HMI interface, communications or digital IO

### Transducer calibration

Calibration types:	Shunt, load cell, comparison
Other features:	Auto-zero, tare

### Other features

Display colour (32h8i):	Upper display selectable green or red or change on alarm
Scrolling text:	Parameter help, custom messages
Display filter:	Off to zero last 2 digits
Peak monitor:	Stores high and low values

### FM/EN14597 TW

Alarm 1 configuration:	Absolute hi or lo, de-energised in alarm Latching output on Form C (AA) Relay All alarms active on sensor break and power fail
Alarm setpoint:	Adjustment protection via password
Configuration security:	FM/EN14597 TW option prevents reconfiguration of alarm config

## Notes

1. Calibration accuracy quoted over full ambient operating range and for all input linearisation types.
2. Contact Eurotherm for details of availability of custom downloads for alternative sensors.

## Order codes

### Hardware/options coding



#### Basic Product

<b>3216i</b>	48 x 48mm unit
<b>32h8i</b>	96 x 48mm horizontal unit
<b>3204i</b>	96 x 96mm unit

#### 1 Function

<b>AL</b>	Standard alarm unit
<b>FM</b>	FM alarm unit
<b>DN</b>	EN14597TW alarm unit
<b>SG</b>	32h8i Strain Gauge input

#### 2 Supply Voltage

<b>VH</b>	85-264V ac
<b>VL</b>	24V ac or dc

#### 3 Outputs

3216i		OP1	OP2
<b>LRXX</b>	Logic	Relay	
<b>RRXX</b>	Relay	Relay	
<b>LDXX</b>	Logic	0-20mA	
<b>DDXX</b>	0-20mA	0-20mA	
<b>DRXX</b>	Analogue	Relay	
<b>RXXX</b>	Relay	None	

32h8i/3204i			
	OP1	OP2	OP3
<b>RXXX</b>	Relay		
<b>RXDX</b>	Relay		Isolated 0-20mA

#### 4 AA Relay (OP4)

<b>X</b>	Disabled
<b>R</b>	Changeover Relay

#### 5 Options Board

3216i	
<b>XXX</b>	None
<b>XXL</b>	Digital input A
<b>2XL</b>	RS232 and Digital input A
<b>4XL</b>	RS2485 and Digital input A

32h8i/3204i	
<b>XXX</b>	None
<b>XXL</b>	Digital input A
<b>2XL</b>	RS232 and Digital input A
<b>4XL</b>	RS2485 and Digital input A

32h8i/SG Options	
<b>XXX</b>	None
<b>2XX</b>	RS232
<b>4XX</b>	RS2485

#### 6 Fascia Colour

<b>G</b>	Green
<b>S</b>	Silver

#### 7 Product Language

<b>ENG</b>	English
<b>FRA</b>	French
<b>GER</b>	German
<b>SPA</b>	Spanish
<b>ITA</b>	Italian

#### 8 Manual Language

<b>ENG</b>	English
<b>FRA</b>	French
<b>GER</b>	German
<b>SPA</b>	Spanish
<b>ITA</b>	Italian

#### 9 Input Adaptor

<b>XX</b>	None
<b>V1</b>	0-10V dc
<b>A1</b>	mA burden resistor (2.49R, 0.1%)

#### 10 Warranty

<b>XXXXX</b>	Standard
<b>WL005</b>	Extended

#### 11 Certificates

<b>XXXXX</b>	None
<b>CERT1</b>	Certificate of Conformity
<b>CERT2</b>	Factory Calibration Certificate

#### 12 Custom Label

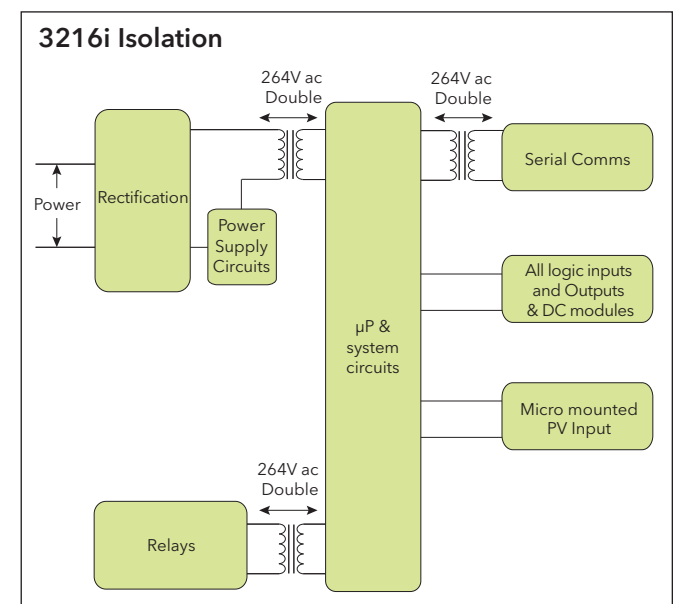
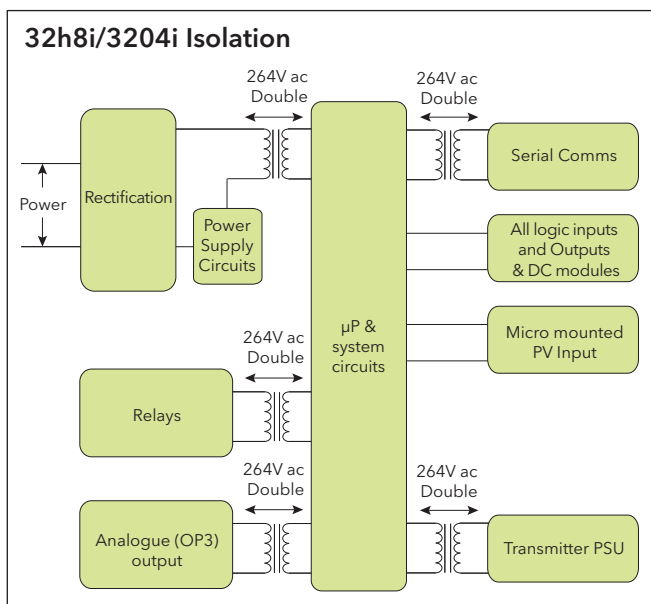
<b>XXXXX</b>	None
--------------	------

#### 13 Specials and Accessories

<b>XXXXX</b>	None
<b>RES250</b>	250R resistor for 0-5V dc OP
<b>RES500</b>	500R resistor for 0-10V dc OP

## 3200i Accessories

<b>HA029005</b>	User guide
<b>HA027986</b>	Engineering manual
<b>SUB35/ACCESS/249R.1</b>	2.49R Precision resistor
<b>iTools/None/3000CK</b>	Configuration clip
<b>SUB21/IV10</b>	0-10V input adaptor
<b>SUB32/SNUBBER</b>	RC Snubber



Optional quick start code (Optional)



1 Input Type	
<b>Thermocouple</b>	
B	Type B
J	Type J
K	Type K
L	Type L
N	Type N
R	Type R
S	Type S
T	Type T
C	Custom/Type C
<b>RTD</b>	
P	Pt100
<b>Linear</b>	
M	0-80mV
2	0-20mA
4	4-20mA
<b>32h8i only</b>	
<b>Linear</b>	
0	0-10V dc
1	1-5V dc
3	2-10V
6	0-5V
<b>Strain Gauge</b>	
G	Strain gauge

2 Display Units	
X	None
C	Centigrade
F	Fahrenheit
K	Kelvin
P	Percentage
<b>32h8i only</b>	
<b>Pressure</b>	
0	Pa
1	mPa
2	Kpa
3	Bar
4	mBar
5	PSI
6	Kg/cm <sup>2</sup>
7	mmWG
8	inWG
9	mmHG
A	Torr
<b>Flow Rate</b>	
B	L-H
D	L-m
<b>General</b>	
E	%RH
G	%O <sub>2</sub>
H	%CO <sub>2</sub>
J	%CP
L	V
M	Amps
R	mA
T	MV
U	Ohm
W	ppm
Y	RPM
Z	m-s

3 Decimal point	
0	nnnnn
1	nnnn.n
2	nnn.nn
3	nn.nnn
4	n.nnnn

4 PV Colour (32h8i only)	
X	Not applicable
G	Green
R	Red
C	Change on any alarm. Green to Red

5 Home Display	
N	PV only
A	First Alarm SP only
1	PV + Alarm SP
2	PV + Alarm SP (read only)

6 Range Low	
<b>Enter Value</b> (Limited by decimal point position)	

7 Range High	
<b>Enter Value</b> (Limited by decimal point position)	

8 OP1	
X	Unconfigured
<b>Relay, Triac or Logic outputs</b>	
Alarm 1	
H	High Alarm
L	Low Alarm
R	Rising Rate of Change
N	New Alarm
O	Sensor Break
P	Power Fail
<b>Combined with Sensor Break</b>	
7	High Alarm
8	Low Alarm
9	Rising Rate of Change
<b>Combined with Power Fail</b>	
A	High Alarm
B	Low Alarm
C	Rising Rate of Change
<b>Combined with Sensor Break and Power Fail</b>	
E	High Alarm
F	Low Alarm
G	Rising Rate of Change
<b>Digital input (3216i only)</b>	
<b>Logic input</b>	
W	Alarm Acknowledge
K	Keylock
U	Remote UP Button
D	Remote DOWN button
J	Alarm Inhibit
M	Peak Reset
Y	Freeze Displayed PV
V	Recipe 1/2 Select

9 OP2 (3216i)/ OP3 (32h8i, 3204i)	
X	Unconfigured
<b>Analogue outputs</b>	
PV Retransmission	
1	4-20mA
2	0-20mA
3	0-5V dc
4	1-5V dc
5	0-10V dc
6	2-10V dc
<b>Relay or Logic output</b>	
Alarm 2 (3216i only)	
H	High Alarm
L	Low Alarm
R	Rising Rate of Change
N	New Alarm
O	Sensor Break
P	Power Fail
<b>Combined with Sensor Break</b>	
7	High Alarm
8	Low Alarm
9	Rising Rate of Change
<b>Combined with Power Fail</b>	
A	High Alarm
B	Low Alarm
C	Rising Rate of Change
<b>Combined with Sensor Break and Power Fail</b>	
E	High Alarm
F	Low Alarm
G	Rising Rate of Change

10 OP4 (AA Relay)	
X	Unconfigured
<b>Alarm 4</b>	
PV Retransmission	
H	High Alarm
L	Low Alarm
R	Rising Rate of Change
N	New Alarm
O	Sensor Break
P	Power Fail
<b>Combined with Sensor Break</b>	
7	High Alarm
8	Low Alarm
9	Rising Rate of Change
<b>Combined with Power Fail</b>	
A	High Alarm
B	Low Alarm
C	Rising Rate of Change
<b>Combined with Sensor Break and Power Fail</b>	
E	High Alarm
F	Low Alarm
G	Rising Rate of Change

11 Digital Input A	
X	Unconfigured
W	Alarm Acknowledge
K	Keylock
U	Remote UP Button
D	Remote DOWN button
J	Alarm Inhibit
M	Peak Reset
Y	Freeze Displayed PV
V	Recipe 1/2 Select

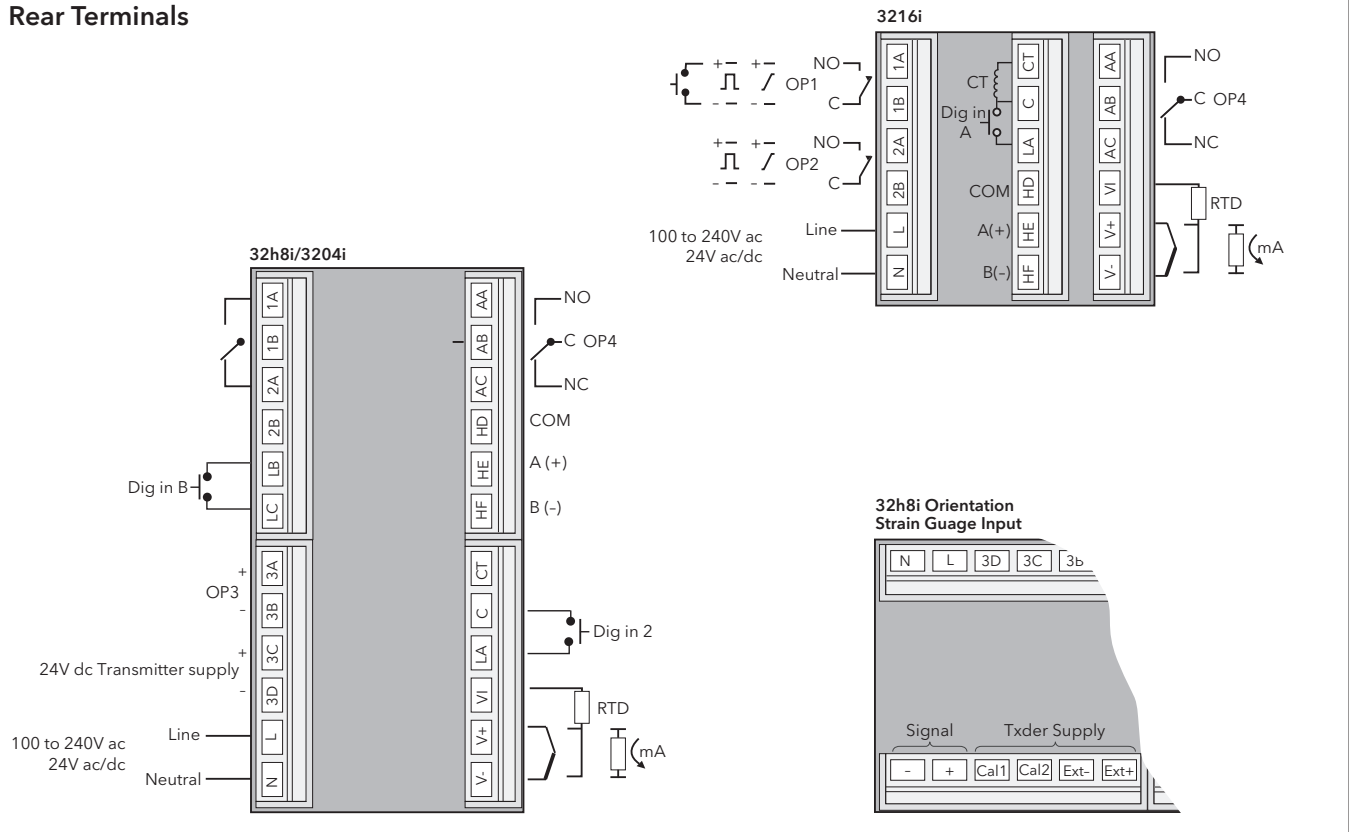
12 Digital Input B	
X	Unconfigured
W	Alarm Acknowledge
K	Keylock
U	Remote UP Button
D	Remote DOWN button
J	Alarm Inhibit
M	Peak Reset
Y	Freeze Displayed PV
V	Recipe 1/2 Select
<b>32h8i Strain Gauge</b>	
T	Tare correction
Z	Auto shunt (melt pressure) Calibration

Notes

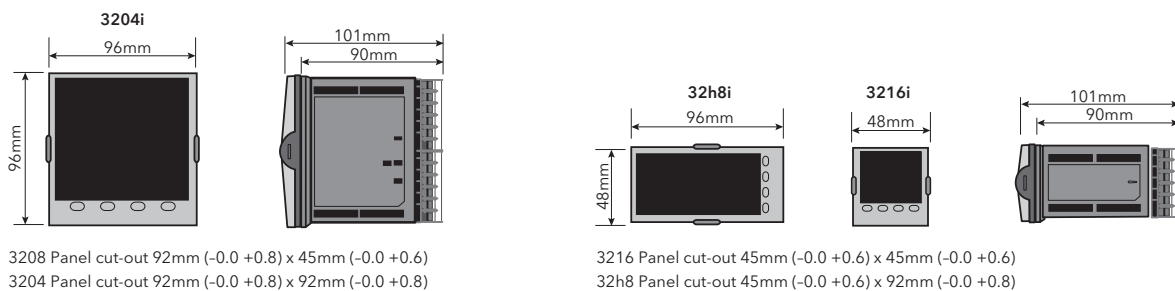
1. Range low and range high values must be entered. These two values will scale the range of linear inputs and the low and high setpoint limits for all input types. By default all alarm outputs will be latched, energised in alarm manual resetting. This gives conformation to EN14597TW and FM.
2. Digital input B is always fitted in the 32h8i and 3204i. It is not available in 3216i.



## Rear Terminals



## Mechanical Details



Eurotherm: International sales and support

www.eurotherm.com

### Contact Information

**Eurotherm Head Office**  
Faraday Close, Durrington,  
Worthing, West Sussex,  
BN13 3PL

**Sales Enquiries**  
T +44 (01903) 695888  
F 0845 130 9936

**General Enquiries**  
T +44 (01903) 268500  
F 0845 265982

**Worldwide Offices**  
www.eurotherm.com/global



Scan for  
local contacts

Represented by:

© Copyright Eurotherm Limited 2013

Invensys, Eurotherm, the Eurotherm logo, Chessell, EurothermSuite, Mini8, Eycon, Eyriss, EPower, EPack, nanodac, piccolo, Foxboro and Wonderware are trademarks of Invensys plc, its subsidiaries and affiliates. All other brands may be trademarks of their respective owners.

All rights are strictly reserved. No part of this document may be reproduced, modified, or transmitted in any form by any means, nor may it be stored in a retrieval system other than for the purpose to act as an aid in operating the equipment to which the document relates, without the prior written permission of Eurotherm Limited.

Eurotherm Limited pursues a policy of continuous development and product improvement. The specifications in this document may therefore be changed without notice. The information in this document is given in good faith, but is intended for guidance only.

Eurotherm Limited will accept no responsibility for any losses arising from errors in this document.

**i n v e n s y s**  
Operations Management