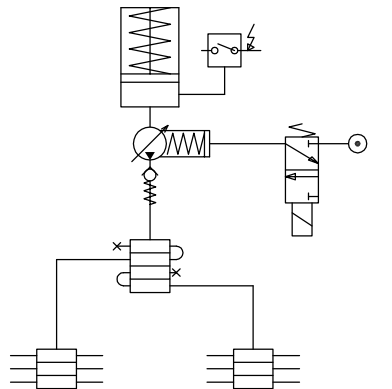




See dimensions in page 2



Application schema in a progressive system

Pneumatically operated piston pump for GREASE PN11/B-1 214.210.000

- Pressurized tank with cover and base in nylon, and reservoir in methacrylate
- Maximum grease NLGI 2
- Max. pressure 200/350 bar, according model
- Minimum level switch
- Tank filling by the bottom

Application

As a doser pump, preferably for the feeding in centralized greasing settings with progressive distributors.

Description

The unit consists of a single effect pneumatic pump, instaled at the bottom of a reservoir where a spring makes pressure to the follower piston, pressurizing the grease and guaranteing a perfect pumping.

Technical data

Flow.....fixed..... 2cm³/stroke
.....variable..... 0,5 ÷ 2cm³/stroke
Operation air pressure..... 4 ÷ 7 bar

	Ratio	Maximum pressure	Pump body
Model A.....	1/30	150 bar	aluminium
Model B.....	1/50	350 bar	steel

Number of cycles/minute..... 4 / minute
Lubricant..... maximum grease NLGI2
Tank capacity..... 0,5 kg-1,5 kg
Assembly position..... vertical / horizontal
Working temperature..... -20°C...+80°C

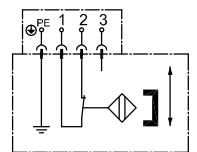
Level switch:

-contact..... ver figura
-connector.....DIN EN 175301-803
(consult others)

-max switching voltage..... 100 VDC

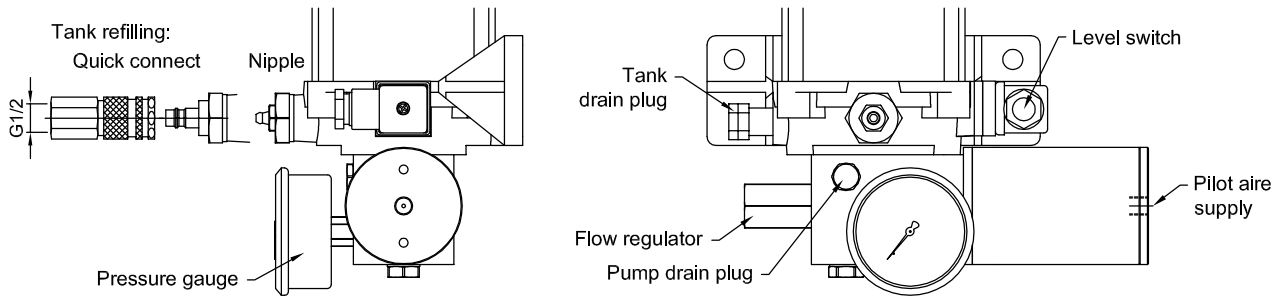
-max switching consumption..... 0,25 A

-max switching power.....8W()...3W()



PN11/B-1/ X X X X - X X X

Tank capacity	Level switch	Level swicht connector	Tank filling	Pump model	Flow cm ³ /stroke	Pressure gauge
⑤ 0,5 kg	① Without	① Without	① Without	① Ratio 1/30 Max. 200 bar	③ 2	① Without
⑥ 1,5 kg	⑤ Minimum level	① Standard: DIN (consult others)	① Nipple ② Quick connect	② Ratio 1/50 Max. 350 bar	⑤ 0,5 ÷ 2	⑤ With



Pump start

Tank filling

- 1-Fill the tank
- 2-Remove the drain plug indicated in the figure, until the lubricant comes out uniformly, without air bubbles
- 3-Mount the drain plug

Draining the pump

- 1-Operate the pump
- 2-Remove the drain plug indicated in the figure
- 3-Operate the pump until the lubricant comes out uniformly, without air bubbles.
- 4-Mount the drain plug

Flow regulation

- Only with adjustable flow model
- 1-Remove the protective cap and regulate the screw of the flow controller
 - 2-Mount again the protective cap

Dimensions

