

RATED DATA

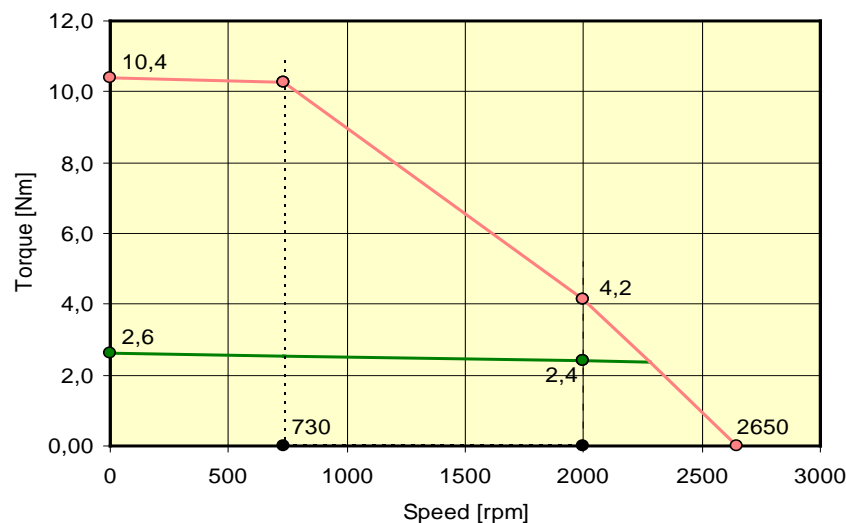
Motor type	SBE4-0260-20-X	
Winding number	01-00440	
Art.-No.:	691.01096-2	

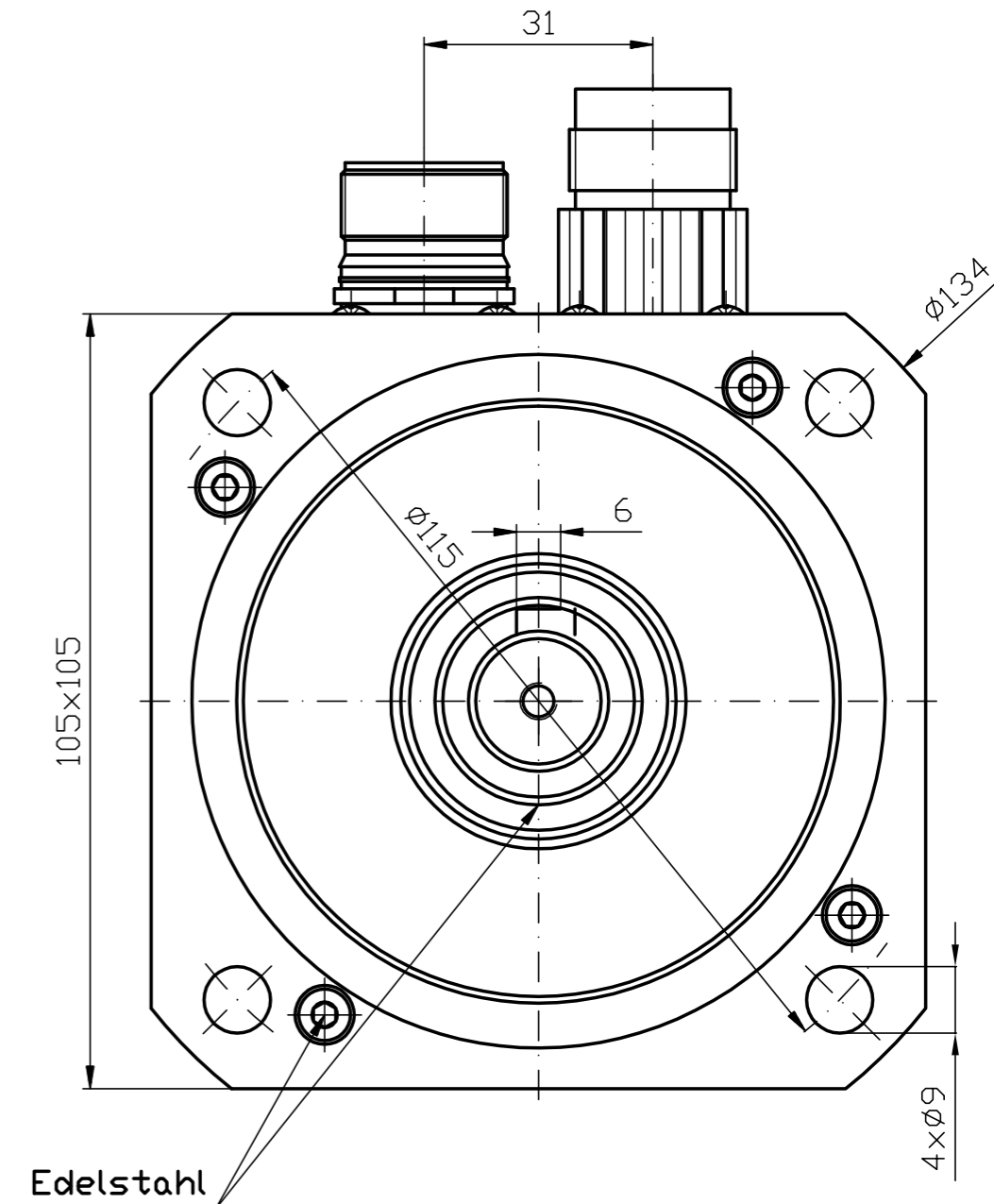
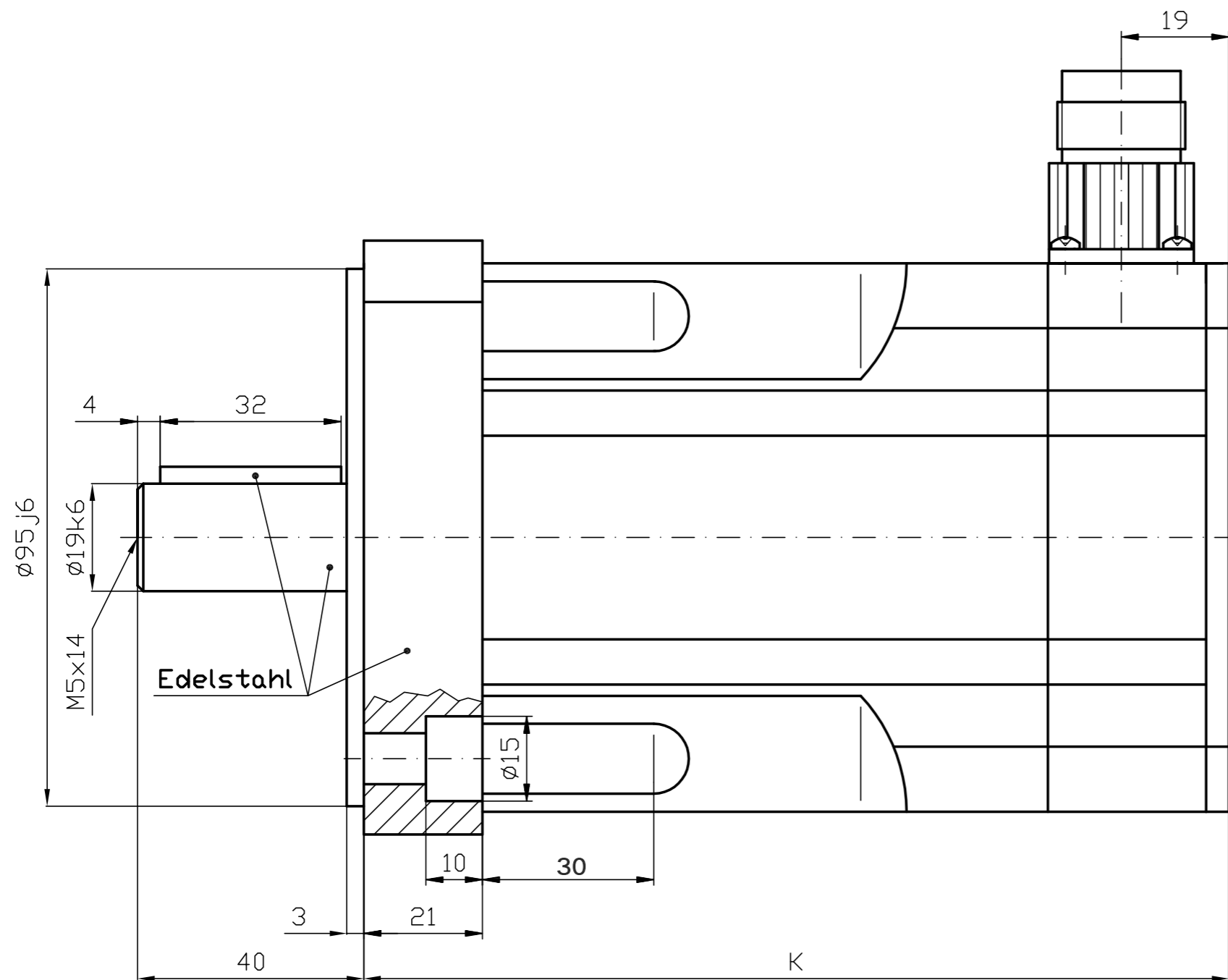
Rated Speed	n_n	2000,00 min^{-1}
DC Bus Voltage	U_{dc}	320,00 V
Nominal AC Voltage	U_n	200,00 V
Rated Motor Voltage	U_m	175,00 V
Rated Torque	M_n	2,40 Nm
Rated AC Current	I_n	2,06 A
Stall Torque	M_o	2,60 Nm
Stall AC Current	I_o	2,10 A
Peak Torque	M_{max}	10,40 Nm
Peak Current	I_{max}	12,60 A
Max. Speed	n_{max}	12000,00 min^{-1}
EMF Constant	K_E	75,0 V/1000
Torque Constant	K_T	1,24 Nm/A
Terminal Resistance	R_{2ph}	7,80 Ω
Terminal Inductance	L_{2ph}	35,10 mH
Number of poles	$2p$	6,0

No Load Speed	n_o	2650,00 min^{-1}
Torque at I_{max}/U_n	M_z	10,28 Nm
Speed at I_{max}/U_n	n_z	730,00 min^{-1}
Max. Torque at n_n	M_x	4,16 Nm

El. Time Constant	T_{el}	4,50 ms
Mech. Time Constant	T_{mech}	1,67 ms
Thermal Time Constant	T_{th}	60,00 min
Rotor Inertia	J	1,90 kgcm^2

Torque/speed curves





Typ	K
SBE4-0260	153
SBE4-0390	168
SBE4-0530	183
SBE4-0750	228