

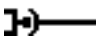
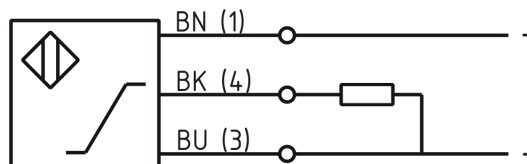


[Article Page](#)

Product Description **inductive sensor analogue**

| | |
|--------------------|---|
| Name | KJ3-M12MB60-ANU-V2 |
| Order number | 08317143865 |
| Switching distance | 3 mm |
| Mounting |  shielded |
| Switch type |  analog |
| Signal Type | Analog Voltage |
| Connection |  Connector |

Connection diagramm



| | |
|-------------------|----------------------------|
| Dimension (in mm) | fine-pitch thread M12 x 60 |
|-------------------|----------------------------|

Technical Specification

| | |
|-----------------------|--------------------------|
| Operating voltage | 11 - 35 VDC |
| Max. ripple | ≤ 10 % |
| No load current | ≤ 5 mA |
| Switching frequency | 500 |
| Operating temperature | -25 ° C to 70 ° C |
| Temperature drift | +/-5 % |
| Repeat accuracy | ≤ 1 % |
| Linearity | ≤ 5 % |
| Analog output | Pulso_has1 |
| Digital output | |
| Protection category | IP67 |
| EMC-level | DIN EN 60947-5-7:2004-06 |
| Material active face | PCB |
| Termination | Connector M12 4pol |

Errors and omissions exceptet