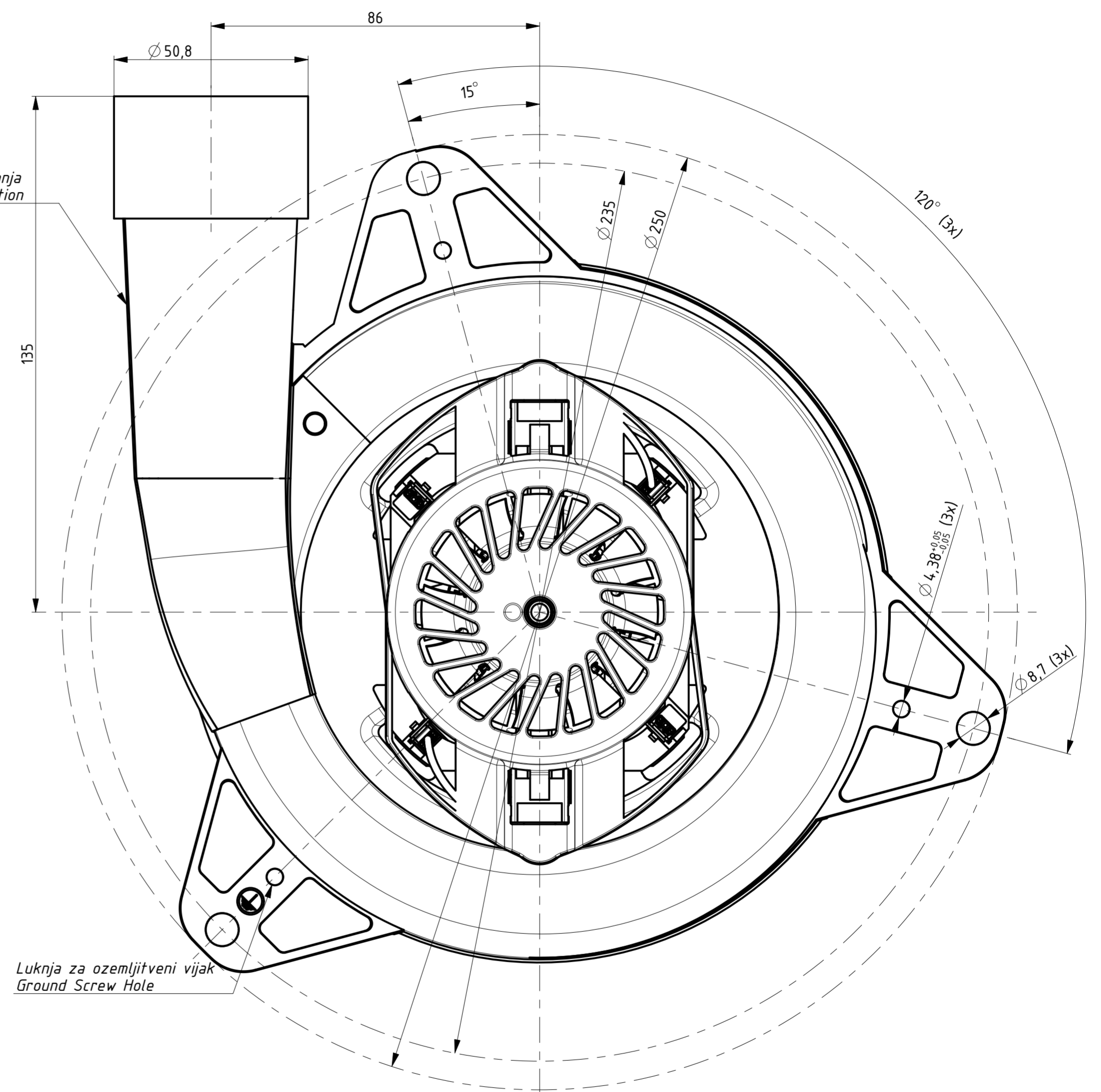
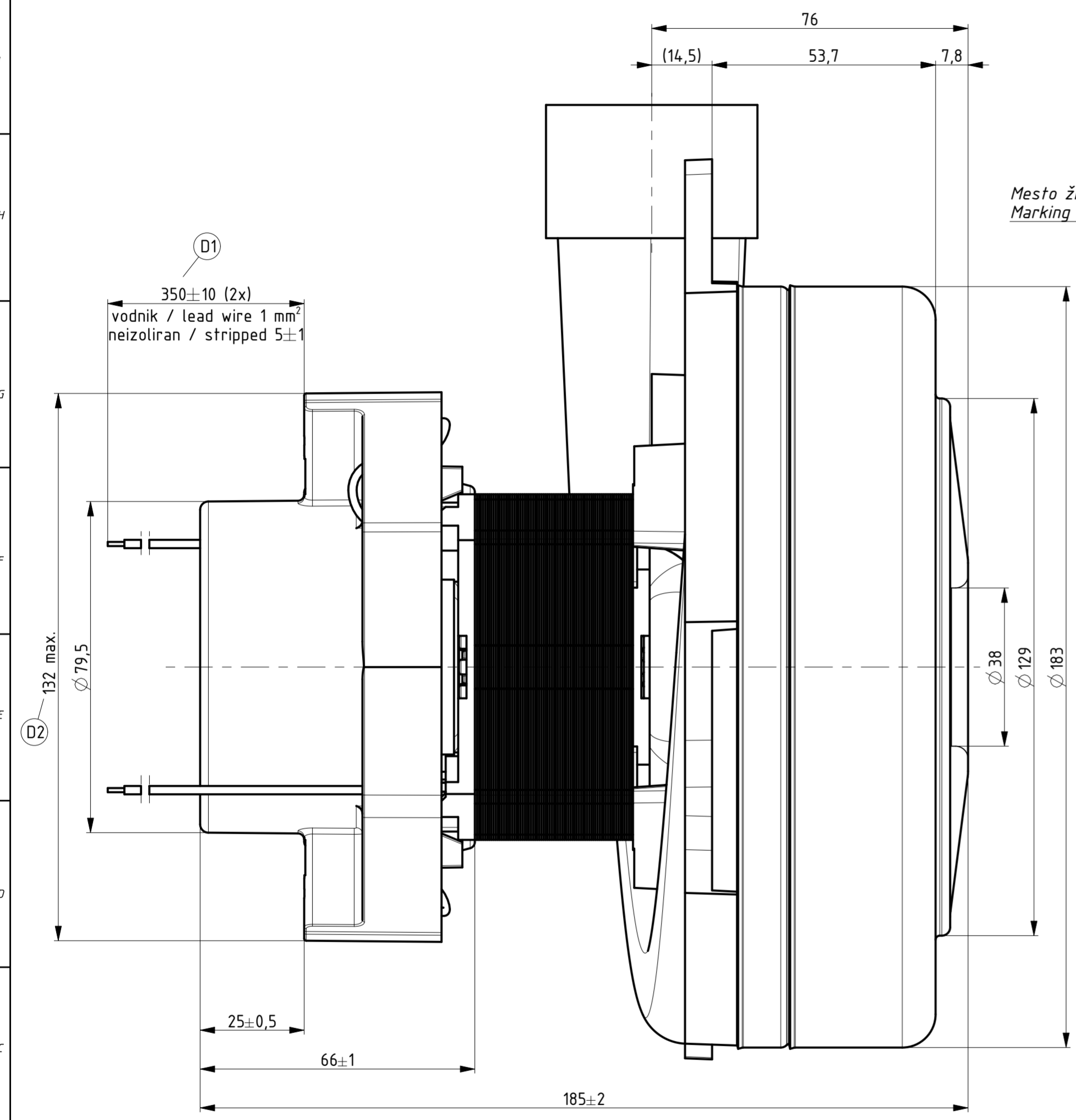


Izdelano s CAD/ProEngineer - ročno spreminjanje ni dovoljeno! Vsak prenos tretjim osebam ali uporaba v nedogovorjene namene ni dovoljena po zakonu o avtorskih pravicah. Made with CAD/ProEngineer - changing is not allowed! Any unauthorized copying of this drawing or unauthorized distribution of the information contained herein is prohibited.

NAPETOST VOLTAGE	230-240 V
FREKVENCA FREQUENCY	50 Hz
NAZIVNA MOČ NOMINAL POWER	1800 W
MAKSIMALNA MOČ MAXIMAL POWER	1750 W (230 V)



OSNOVNE ZNAČILNOSTI		TYPICAL CHARACTERISTICS	
IZVEDBA	DVOSTOPENJSKA	FAN SYSTEM	TWO STAGE
VLEŽAJENJE	DVA KROGLIČNA LEŽAJA	BEARINGS	DUAL BALL
VRSTA PRETOKA	MIMO MOTORJA	DISCHARGE	BY PASS
SMER VRTENJA	LEVA	DIRECTION OF ROTATION	CCW

Podatki na žigu  
Marking contents

DOMEL 499.3.701-4	230-240 V
dd.mm.yyyy	50 Hz
Made in Slovenia	1800 W

Tolerance odprtih mer Tolerances without individual indications	Površinska hrapavost Surface finishing	Merilo Scale	1:1	Original format ISO 5457 - A2
ISO 8015 ISO 2768 - mK		Gradivo / Material		
Izdelal Designed	Datum/Date	Ime/Name	Naziv Title	
Pregl. Verified	21.10.2013	J. Rihtaršič	SESALNA ENOTA VACUUM CLEANER MOTOR	
Ozn. Mark	Sf. obvestila Nr. of notice	Datum Date	Ime Name	
D2 10977	21.10.13	I. Potočnik		
C1 10327	06.06.12	I. Potočnik		
B1 9648	26.11.10	I. Potočnik		
A0 9509	13.07.10	A. Šolar		
DOMEL			Koda Code	499.3.701-4
Otoki 21, 4228 Železniki, Slovenija			List Sheet	3+
			Stran Page	1
				4993701004_SESALNA_ENOTA