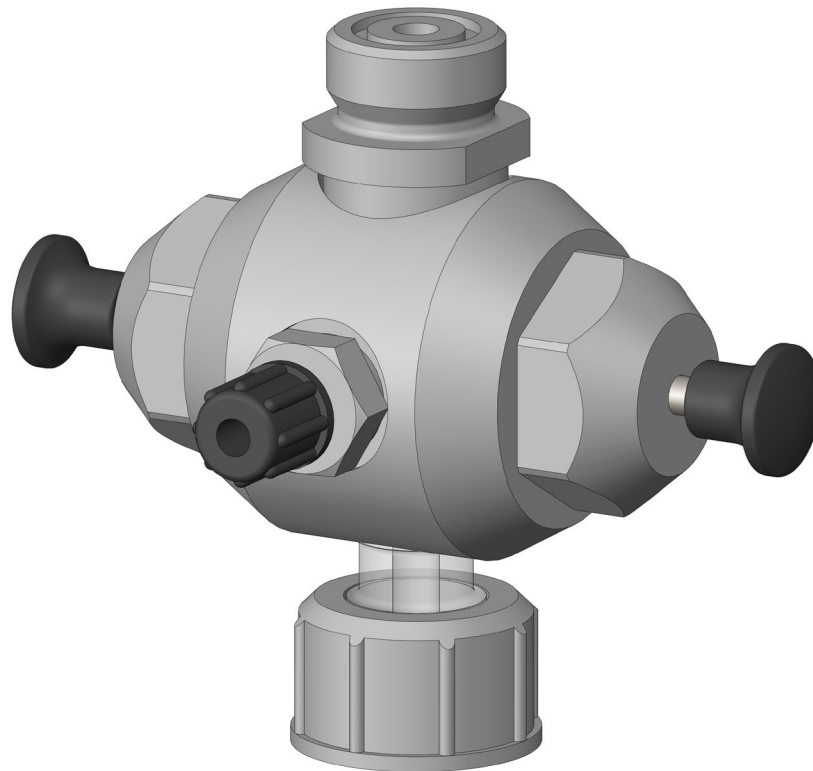


Multi-function valve PENTABLOC PVC

Operating instructions



Read the operating manual!

The user is responsible for installation and operation related mistakes!

Table of Contents

1	Notes for the Reader	4
1.1	General non-discrimination	4
1.2	Explanation of the signal words	4
1.3	Explanation of the warning signs	4
1.4	Identification of warnings	4
1.5	Instruction for action identification	5
1.6	General safety precautions	5
2	General	6
3	Intended use	7
4	Product description	8
4.1	Scope of delivery	8
4.2	Design	8
5	Technical data	9
6	Installation	10
7	Operation	11
8	Maintenance	12
9	Spare parts and accessories	13
9.1	Spare parts	13
9.2	Accessories	13
10	Declaration of no objection	14
11	Warranty claim	15

1 Notes for the Reader

This operating manual contains information and behaviour rules for the safe and designated operation of the unit.

Observe the following principles:

- Read the entire operating manual prior to starting-up the unit.
- Ensure that everyone who works with or on the unit has read the operating instructions and follows them.
- Keep the operating instructions for the entire service life of the unit.
- Pass on the operating instructions to any subsequent owner of the unit.

1.1 General non-discrimination

In this operating manual, only the male gender is used where grammar allows gender allocation. The purpose of this is to make the text easy to read. Men and women are always referred to equally. We would like to ask female readers for understanding of this text simplification.

1.2 Explanation of the signal words

Different signal words in combination with warning signs are used in this operating manual. Signal words illustrate the gravity of possible injuries if the risk is ignored:

Signal word	Meaning
DANGER!	Refers to imminent danger. Ignoring this sign may lead to death or the most serious injuries.
WARNING!!	Refers to a potentially hazardous situation. Failure to follow this instruction may lead to death or severe injuries.
CAUTION	Refers to a potentially hazardous situation. Failure to follow this instruction may lead to minor injury or damage to property.
<i>Note</i>	Refers to a danger which, if ignored, may lead to risk to the machine and its function.

Table 1: Explanation of the signal words

1.3 Explanation of the warning signs

Warning signs represent the type and source of a danger:

Warning sign	Type of danger
	General danger zone

Table 2: Explanation of the warning signs

Warning sign	Type of danger
	Danger of caustic or other burns
	Danger of damage or functional influences

Table 2: Explanation of the warning signs

1.4 Identification of warnings

Warnings are intended to help you recognise risks and avoid negative consequences.

This is how warnings are identified:

Warning sign	SIGNAL WORD
	<p>Description of danger.</p> <p>Consequences if ignored.</p> <p>⇒ The arrow signals a safety precaution to be taken to eliminate the danger.</p>

1.5 Instruction for action identification

This is how pre-conditions for action are identified:

- ✓ Pre-condition for action which must be met before taking action.


This is how instructions for action are identified:

➔ Separate step with no follow-up action.

1. First step in a series of steps.
2. Second step in a series of steps.
 - ▶ Result of the above action.

- ✓ **Action completed, aim achieved.**

1.6 General safety precautions

	WARNING!!
<p>Chemical burns or other burns through dosing medium!</p> <p>You may come into contact with dosing medium when working with the Multi-function valve.</p> <ul style="list-style-type: none">⇒ Wear appropriate personal protective equipment, especially for the protection of eyes and skin.⇒ Check that all the screw connections have been tightened correctly and are leak-proof.⇒ Never look into open ends of plugged hoses and valves.	

2 General

The Multi-function valve PENTABLOC PVC ensures the exactness of diaphragm dosing pumps with fluctuating back pressure, especially in the area with a pressure of 0 to c. 1 bar. When dosing in unpressurised systems, the inertia of the accelerated fluid leads to overdosing. As such, the dosing pumps must be protected against too high a level of pressure, in order to be able to dose the exact quantity.

Personal protective equipment

Based on the degree of risk posed by the dosing medium and the type of work you are carrying out, you must use corresponding protective equipment. Information regarding the protective equipment required is provided in the regulations of the insurance provider, generally-accepted technical regulations, the operating instructions and the safety data sheets of the dosing medium.

As a minimum, the following protective equipment is recommended:



Protective clothing



Protective gloves



Goggles



Safety shoes

Corresponding protective equipment must be used during these tasks:

- Operation

3 Intended use

The Multi-function valve PENTABLOC PVC includes various functions and fulfils the following tasks:

- The pressure retaining function to optimise dosing accuracy. The fitting avoids over-dosing in pressureless systems.
- The anti-siphon function avoids undesired siphoning.
- The safety valve protects the dosing pump and the connected system against excess pressure.
- Option for pressure-relief in the delivery line by returning the medium to the supply tank.
- Dosing control from a bouncing ball in a transparent viewing tube.

Intended purpose

The Multi-function valve PENTABLOC PVC serves the pressure regulation of diaphragm dosing pumps.

4 Product description

4.1 Scope of delivery

Please compare the delivery note with the scope of delivery. The following items are part of the scope of delivery:

- PENTABLOC PVC
- Hose

4.2 Design

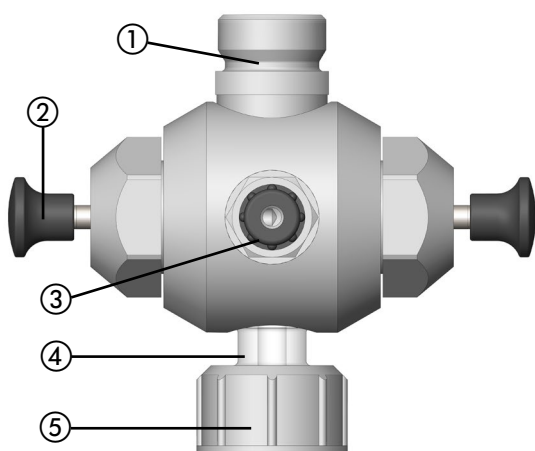


Fig. 1: Design

Item	Description
1	Injection nozzle connection
2	Tappet
3	Safety valve
4	Dosing display
5	Dosing pump connection

Table 3: Item numbers

5 Technical data

Description	Value
Housing material	PVC
Seal material:	Viton or Hypalon / EPDM
Diaphragm:	Viton or Hypalon
Connection thread:	Input: Union nut G 5/8 output: Tap G 5/8
Opening pressure of the safety valve	ca. 5 bar
Holding pressure:	ca. 1,5 bar
Max. ambient temperature:	5 - 40 °C
max. temperature:	35 °C
Weight:	210 g
Application area:	Dosing pumps up to 45 l/h, viscosity up to 20 mPa · s
Article number:	12601075

Table 4: Technical data

6 Installation

Precondition for action:

- ✓ All devices which are connected with the Multi-function valve are deactivated and pressureless.
- ✓ The suction line GF-2 and a connection hose are available.

Perform the following working steps:

1. Connect the dosing pump connection (pos. 5) to the pressure valve of the dosing pump and tighten the union nut by hand.
 2. Connect the safety valve (pos. 3) to a drain hose and tighten the union nuts by hand. Connect the drain hose to a free connection spout on the suction line GF-2.
- ✓ **The Multi-function valve was installed successfully.**

7 Operation

The Multi-function valve PENTABLOC PVC can be operated after installation without any further settings.

The Multi-function valve serves as a safety valve during operation and opens as soon as a system pressure of 5 bar has been exceeded. Pressure relief of the system is possible via the safety valve.

Pressure relief of the system.

The system connected to the PENTABLOC PVC can be pressure-relieved using the Multi-function valve.

Precondition for action:

- ✓ The personal safety equipment in accordance with chapter „Personal protective equipment“ on page 6 is used.
- ✓ The dosing pump has been deactivated and disconnected from the external power supply.
- ✓ The drain hose was checked for its correct installation.

Perform the following working steps:

- ➔ Hold the two tappets (pos. 2) on the sides of the Multi-function valve and pull them outwards simultaneously.
- ✓ **The pressurised dosing medium leaves the system until the pressure is entirely relieved. The system connected to the Multi-function valve has been depressurised.**

8 Maintenance

Maintenance work to be carried out	Frequency
Visual inspection	With use, daily
Replace seals	annually

Table 5: Maintenance intervals

9 Spare parts and accessories

9.1 Spare parts

Description	Part No.
Spare parts set <ul style="list-style-type: none">■ 2 Diaphragms■ Flat gasket■ Seal■ O-ring	41435

Table 6: Spare parts

9.2 Accessories

Description	Part No.
PVC hose 4/6 mm	97181

Table 7: Accessory parts

10 Declaration of no objection

Please copy this declaration, stick it to the outside of the packaging and return it with the unit.

Declaration of no objection

Please fill out a separate form for each appliance!

We forward the following device for repairs:

Device and device type: Part-no.:

Order No.: Date of delivery:

Reason for repair:

.....

.....

Dosing medium

Description: Irritating: Yes No

Properties: Corrosive: Yes No

We hereby certify, that the product has been cleaned thoroughly inside and outside before returning, that it is free from hazardous material (i.e. chemical, biological, toxic, flammable, and radioactive material) and that the lubricant has been drained.

If the manufacturer finds it necessary to carry out further cleaning work, we accept the charge will be made to us.

We assure that the aforementioned information is correct and complete and that the unit is dispatched according to the legal requirements.

Company / address: Phone:

..... Fax:

..... Email:

Customer No.: Contact person:

Date, Signature:

11 Warranty claim

Warranty Application

Please copy and send it back with the unit!

If the device breaks down within the period of warranty, please return it in a cleaned condition with the complete warranty application, filled out.

Sender

Company: Phone: Date:

Address:

Contact person:

Manufacturer order no.: Date of delivery:

Device type: Serial number:

Nominal capacity / nominal pressure:

Description of fault:.....

.....
.....
.....
.....
.....
.....
.....
.....
.....
.....

Service conditions of the device

Point of use / system designation:.....

.....
.....

Accessories used (suction line etc.):.....

.....
.....
.....
.....

Commissioning (date):

Duty period (approx. operating hours):

Please describe the specific installation and enclose a simple drawing or picture of the chemical feed system, showing materials of construction, diameters, lengths and heights of suction and discharge lines.

Product Range

Lutz Pumpen GmbH
 P.O. Box 1462 • D-97864 Wertheim
 www.lutz-pumpen.de

Product Range

Lutz-Jesco GmbH
 P.O. Box 100164 • D-30891 Wedemark
 www.lutz-jesco.com



Barrel and Container Pumps



Dosing Pumps



Measuring and Control Equipment



Flow Meters



Chlorinators



Disinfection



Double Diaphragm Pumps



Chemical Centrifugal Pumps



Standard Plus



Centrifugal Pumps



TECHNOPOOL®

Products for the disinfection of swimming pool water based on salt water electrolysis and domestic water technology



The Lutz-Jesco App for iPads is available from the iTunes App Store.
 Additional information can be found at www.lutz-jesco.com



Headquarters
Lutz-Jesco GmbH
 Am Bostelberge 19
 30900 Wedemark
 Germany

Tel.: +49 5130 5802-0
 Fax: +49 5130 580268

E-mail: info@lutz-jesco.com
 Website: www.lutz-jesco.de

Hungary
Lutz-Jesco Üzletég
 Vasvári P. u. 9.
 9024 Győr
 Hungary

Tel.: +36 96 523046
 Fax: +36 96 523047

E-mail: info@lutz-jesco.hu
 Website: www.lutz-jesco.hu

Austria
Lutz-Jesco GmbH
 Aredstraße 7/2
 2544 Leobersdorf
 Austria

Tel.: +43 2256 62180
 Fax: +43 2256 6218062

E-mail: info@lutz-jesco.at
 Website: www.lutz-jesco.at

Netherlands
Lutz-Jesco Nederland B.V.
 Nijverheidstraat 14 C
 2984 AH Ridderkerk
 Netherlands

Tel.: +31 180 499460
 Fax: +31 180 497516

E-mail: info@lutz-jesco.nl
 Website: www.lutz-jesco.nl



Great Britain
Lutz-Jesco (GB) Ltd.
 Gateway Estate
 West Midlands Freeport
 Birmingham B26 3QD
 Great Britain

Tel.: +44 121 782 2662
 Fax: +44 121 782 2680

E-mail: info@lutz-jesco.co.uk
 Website: www.lutz-jesco.co.uk

USA
Lutz-JESCO America Corp.
 55 Bermar Park
 Rochester, N.Y. 14624
 USA

Tel.: +1 585 426-0990
 Fax: +1 585 426-4025

E-mail: mail@jescoamerica.com
 Website: www.lutzjescoamerica.com

East Asia
Lutz-Jesco East Asia Sdn Bhd
 6 Jalan Saudagar U1/16
 Hicom Glenmarie Industrial Park
 40150 Shah Alam/ Selangor
 Malaysia

Tel.: +603 55692322
 Fax: +603 55691322

E-mail: info@lutz-jescoasia.com
 Website: www.lutz-jescoasia.com

Middle East
Lutz-Jesco Middle East FZE
 P.O. Box 9614
 SAIF-Free Zone Center
 Sharjah
 UAE

Tel.: +971 6 5572205
 Fax: +971 6 5572230

E-mail: info@jescome.com
 Website: www.jescome.com

