

## Datasheet - TS 064-12Y

Position switch / heavy Position switch / 064 / 064 Plunger S



- Metal enclosure
- 184 mm x 111 mm x 149 mm (basic component)
- 2 cable entries M 25 x 1.5
- 3 or 4 Contacts
- Actuator heads can be repositioned by 4 x 90°

(Minor differences between the printed image and the original product may exist!)

### Ordering details


Product type description	TS 064-12Y
Article number	101057473
Strobe lamp	4030661253152
eCl@ss	27-27-06-01

### Approval

Approval



### Global Properties

Permanent light	064 Druckbolzen S
Standards	EN 60947-5-1
Compliance with the Directives (Y/N) 	Yes
Suitable for safety functions (Y/N)	No
Standard housing (Y/N)	No
Materials	
- Material of the housings	cast iron, galvanized
- Material of the contacts	Silver
Housing coating	painted
Weight	3240
Slide form	Sphere


### Mechanical data

Design of electrical connection	Screw connection
Cable section	
- Min. Cable section	1.5
- Max. Cable section	4
AWG-Number	11
Active principle	mechanical
Mechanical life	1.000.000 operations
Switching frequency	max. 1000 /h
notice	All indications about the cable section are including the conductor ferrules.
Design of actuating element	Plunger
Contact opening	2 x 4
Actuating speed with vertical actuating angle to switch axis	
- Min. Actuating speed	0,01 m/s
- Max. Actuating speed	1
- Actuating angle	20

### Ambient conditions

Ambient temperature	
- Min. environmental temperature	-30
- Max. environmental temperature	+90
Protection class	IP65 to IEC/EN 60529

### Electrical data

Design of control element	Normally open contact (NO) Opener (NC)
- with double break	
Switching principle	Creep circuit element
- positive break NC contact 	
Number of shutters	1
Number of openers	2
Rated impulse withstand voltage $U_{imp}$	6 kV
Rated insulation voltage $U_i$	500 V
Thermal test current	25 A
Utilisation category	AC-15: 400 V / 25 A
Max. fuse rating	16 A gL/gG D-fuse

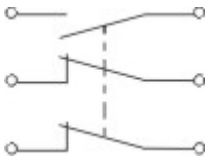
### Dimensions

Dimensions of the sensor	
- Width of sensor	156
- Height of sensor	111
- Length of sensor	149
Slide diameter	10




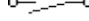
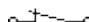
### notice

notice	<b>Actuation from the side of the plunger should be avoided, since this reduces the mechanical life of the position switch.</b>
--------	---

### Diagram



#### Note Diagram

-  positive break NC contact
-  active
-  no active
-  Normally-open contact
-  Normally-closed contact

## Ordering suffix

---

The applicable ordering suffix is added at the end of the part number of the safety switch.

Order example: TS 064-12Y- **H**

...- <b>H</b>	Slow action with staggered contacts
...- <b>UE</b>	Slow action with overlapping contacts

## Ordering code

---

T(1) 064-(2)Y-(3)

(1)	
<b>S</b>	Plunger S
<b>J</b>	Offset roller lever J
<b>X</b>	Offset roller lever X
(2)	
<b>03</b>	3 Opener (NC)
<b>12</b>	1 Normally open contact (NO) / 2 Opener (NC)
<b>21</b>	2 Normally open contact (NO) / 1 Opener (NC)
<b>30</b>	3 Normally open contact (NO)
<b>04</b>	4 Opener (NC)
<b>13</b>	1 Normally open contact (NO) / 3 Opener (NC)
<b>22</b>	2 Normally open contact (NO) / 2 Opener (NC)
<b>31</b>	3 Normally open contact (NO) / 1 Opener (NC)
<b>40</b>	4 Normally open contact (NO)
(3)	
<b>UE</b>	Slow action with overlapping contacts
<b>H</b>	Slow action with staggered contacts
<b>R</b>	latching 2x45°

## Documents

---

**Operating instructions and Declaration of conformity** (cn) 138 kB, 29.05.2017

Code: mrl\_posi-allgemein\_cn

**Operating instructions and Declaration of conformity** (it) 86 kB, 09.03.2016

Code: mrl\_posi-allgemein\_it

**Operating instructions and Declaration of conformity (fr)** 85 kB, 20.07.2016

Code: mrl\_posi-allgemein\_fr

**Operating instructions and Declaration of conformity (de)** 88 kB, 18.02.2016

Code: mrl\_posi-allgemein\_de

**Operating instructions and Declaration of conformity (pt)** 86 kB, 27.03.2017

Code: mrl\_posi-allgemein\_pt

**Operating instructions and Declaration of conformity (ru)** 133 kB, 23.12.2015

Code: mrl\_posi-allgemein\_ru

**Operating instructions and Declaration of conformity (en)** 86 kB, 23.12.2015

Code: mrl\_posi-allgemein\_en

**Operating instructions and Declaration of conformity (pl)** 118 kB, 01.04.2016

Code: mrl\_posi-allgemein\_pl

**Operating instructions and Declaration of conformity (es)** 88 kB, 09.03.2016

Code: mrl\_posi-allgemein\_es

**Operating instructions and Declaration of conformity (jp)** 285 kB, 23.08.2017

Code: mrl\_posi-allgemein\_jp

**Declaration of conformity (en)** 230 kB, 09.08.2012

Code: konfi\_mrl\_tm064\_en

**Declaration of conformity (de)** 219 kB, 22.07.2013

Code: \_\_064p01

**CCC certification (en)** 1 MB, 24.07.2017

Code: q\_355p02

**CCC certification (cn)** 1 MB, 24.07.2017

Code: q\_355p03

**EAC certification (ru)** 1 MB, 15.03.2018

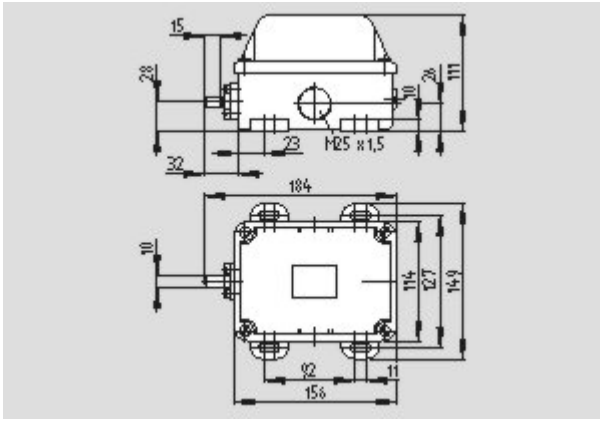
Code: q\_avp04

**EAC certification (ru)** 388 kB, 20.01.2016

Code: q\_1527p17\_ru

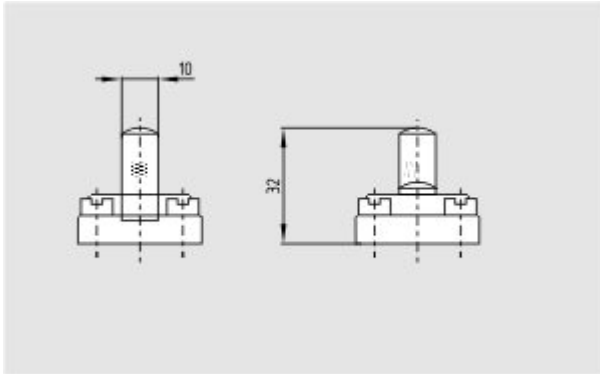
## Images

---



Dimensional drawing (basic component)

---



Dimensional drawing (miscellaneous)

---



Operating principle

---

K.A. Schmersal GmbH & Co. KG, Möddinghofe 30, D-42279 Wuppertal

The data and values have been checked thoroughly. Technical modifications and errors excepted.

Generiert am 14.05.2018 - 13:55:50h Kasbase 3.3.0.F.64I