



- A PART OF ADDTECH GROUP

## DATA SHEET

Customer:	
Ref.:	
Order:	
Motor:	
Serial nr:	
Date:	29-08-2018

### ASYNCHRONOUS MOTOR 3D3 160M-4

#### Nameplate data:

Code: 120621

Type:	3D3 160M-4			IP55	F/B	Amb. temp.: Max. 40°		
kW	Hz	V	A	Rpm	Cos	Eff. 100%	Duty	IE.class
11,00	50	230D	35,48	1470	0,85	91,9%	S1	IE3
11,00	50	400 Y	20,40	1470	0,85	91,9%		
13,20	60	460 Y	21,29	1764	0,85	91,9%		

#### Description:

Mounting form:	B5
Bearing DE:	6309/C3
Bearing NDE:	6309/C3
Weight - Kg.:	126
Heater:	No Heater
PTC:	PTC mounted
Kgm <sup>2</sup> :	0,0974
Sound press.-db(A):	73,0

#### Other:


#### Test data S1-duty, Amb.temp 40°C:

Voltage - V:	400
Frequency - Hz:	50
Power - kW:	11,00
Full load speed - Rpm:	1470
Full load current - A:	20,40
Full load power factor - Cos:	0,85
Locked rotor current - A:	157,1
Locked rotor factor - A <sub>st</sub> /A <sub>n</sub> :	7,7

Efficiency 100% load - %:	91,9%
Efficiency 75% load - %:	92,2%
Efficiency 50% load - %:	91,6%
Full load torque - Nm:	71,5
Locked rotor torque - Nm:	157,3
Locked rotor torque - Nm <sub>st</sub> /Nm <sub>n</sub> :	2,2
Max. Pull out torque - Nm:	164,4
Max. Pull out torque. - Nm <sub>st</sub> /Nm <sub>n</sub> :	2,3

Over load/speed test	kW	Hz	V	A	Rpm
Over load 160% - 15sec.	17,60	50	400	32,64	1470
Over speed 125% - 2 min.	11	63	400	20,40	1838
H-Pot test voltage: 1800V			Temp. rise in stator:		

The motor is produced in accordance with following harmonized standards:

IEC60034-1, IEC60034-2, IEC60034-5, IEC60034-6, IEC60034-7, IEC60034-8, IEC60034-9  
IEC60034-12, IEC60034-14, IEC60034-30, IEC60072.

Additional specifications in accordance with:

RINA - GL - LRS - BV - DNV - ABS - KR - RR - CCS - CCC - RMRS.

#### Bevi Group:

BEVI AB, Sweden	www.bevi.se	sales@bevi.se	+46 499 271 00
BEVI Nord AB, Sweden	www.bevi.se	bevinord@bevi.se	+46 90 70 44 30
BEVI A/S, Denmark	www.bevi.dk	bevi@bevi.dk	+45 39 67 36 05
BEVI Norge A/S, Norway	www.bevi.no	info@bevi.no	+47 22 07 66 50
BEVI Finland OY AB, Finland	www.bevi.fi	info@bevi.fi	+358 9 2709 1210
BEVI Est Oü, Estonia	www.bevi.ee	bevi@bevi.ee	+372 6828 755
BEVI UAB, Lithuania	www.bevi.lt	info@bevi.lt	+370 5 2611 112
BEVI CHINA, China	www.bevi.cn	sales@bevi.cn	+86 21 5032 5200

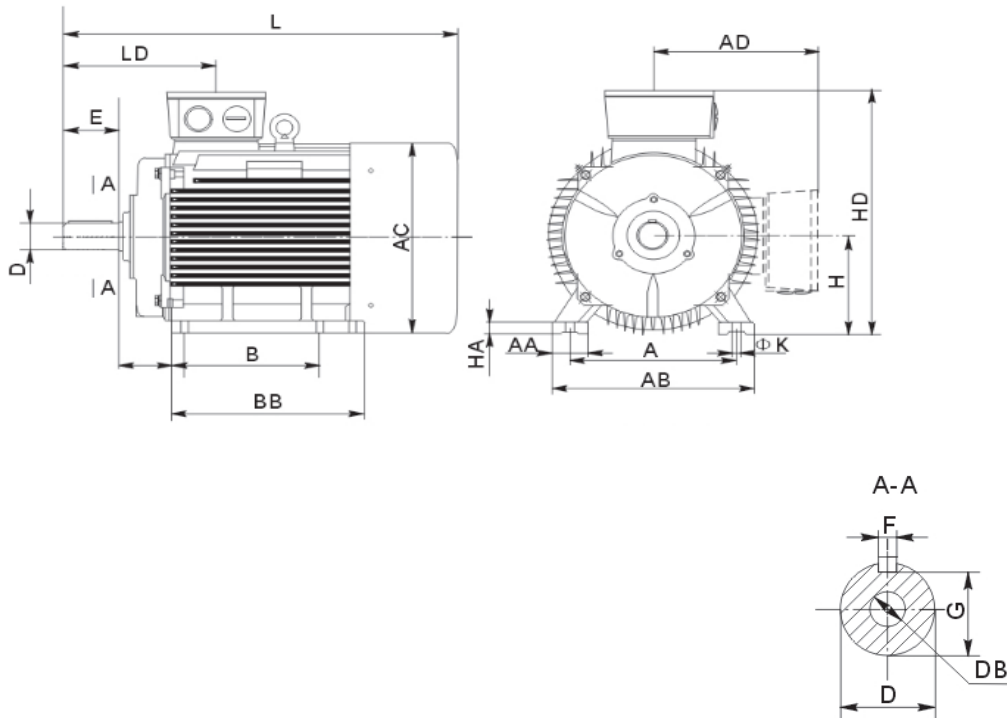


- A PART OF ADDTECH GROUP

## DATA SHEET

Customer:	
Ref.:	
Order:	
Motor:	
Serial nr:	
Date:	29-08-2018

### Foot mounted motor 3D3 160M-4 B3



A: 254	HD: 440	E: 110
B: 210	C: 108	D: 42
AB: 320	H: 160	G: 37
AC: 320	K: 14,5	DB: M16
AD: 285	L: 655	F: 12
	L (V1): 705	

#### Bevi Group:

BEVI AB, Sweden  
 BEVI Nord AB, Sweden  
 BEVI A/S, Denmark  
 BEVI Norge A/S, Norway  
 BEVI Finland OY AB, Finland  
 BEVI Est Oü, Estonia  
 BEVI UAB, Lithuania  
 BEVI CHINA, China

www.bevi.se  
 www.bevi.se  
 www.bevi.dk  
 www.bevi.no  
 www.bevi.fi  
 www.bevi.ee  
 www.bevi.lt  
 www.bevi.cn

sales@bevi.se  
 bevinord@bevi.se  
 bevi@bevi.dk  
 info@bevi.no  
 info@bevi.fi  
 bevi@bevi.ee  
 info@bevi.lt  
 sales@bevi.cn

+46 499 271 00  
 +46 90 70 44 30  
 +45 39 67 36 05  
 +47 22 07 66 50  
 +358 9 2709 1210  
 +372 6828 755  
 +370 5 2611 112  
 +86 21 5032 5200

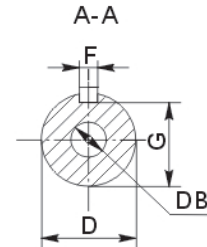
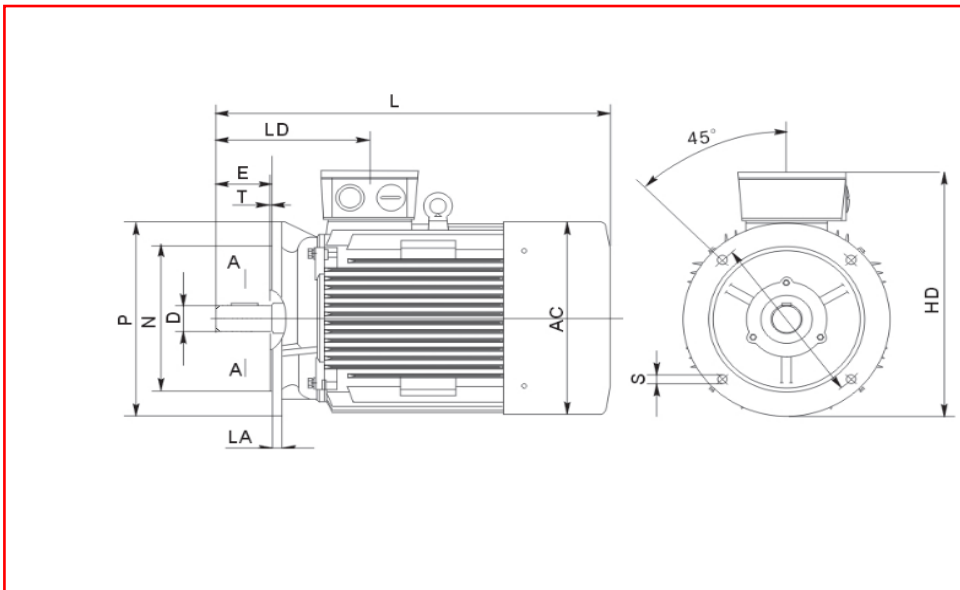


- A PART OF ADDTECH GROUP

## DATA SHEET

Customer:	
Ref.:	
Order:	
Motor:	
Serial nr:	
Date:	29-08-2018

### Flange mounted motor 3D3 160M-4 B5 (V1)



M: 300	HD: 440	E: 110
N: 250	L: 655	D: 42
P: 350	L (V1): 705	G: 37
S: 18,5		DB: M16
		F: 12

#### Bevi Group:

BEVI AB, Sweden  
 BEVI Nord AB, Sweden  
 BEVI A/S, Denmark  
 BEVI Norge A/S, Norway  
 BEVI Finland OY AB, Finland  
 BEVI Est Oü, Estonia  
 BEVI UAB, Lithuania  
 BEVI CHINA, China

www.bevi.se  
 www.bevi.se  
 www.bevi.dk  
 www.bevi.no  
 www.bevi.fi  
 www.bevi.ee  
 www.bevi.lt  
 www.bevi.cn

sales@bevi.se  
 bevinord@bevi.se  
 bevi@bevi.dk  
 info@bevi.no  
 info@bevi.fi  
 bevi@bevi.ee  
 info@bevi.lt  
 sales@bevi.cn

+46 499 271 00  
 +46 90 70 44 30  
 +45 39 67 36 05  
 +47 22 07 66 50  
 +358 9 2709 1210  
 +372 6828 755  
 +370 5 2611 112  
 +86 21 5032 5200

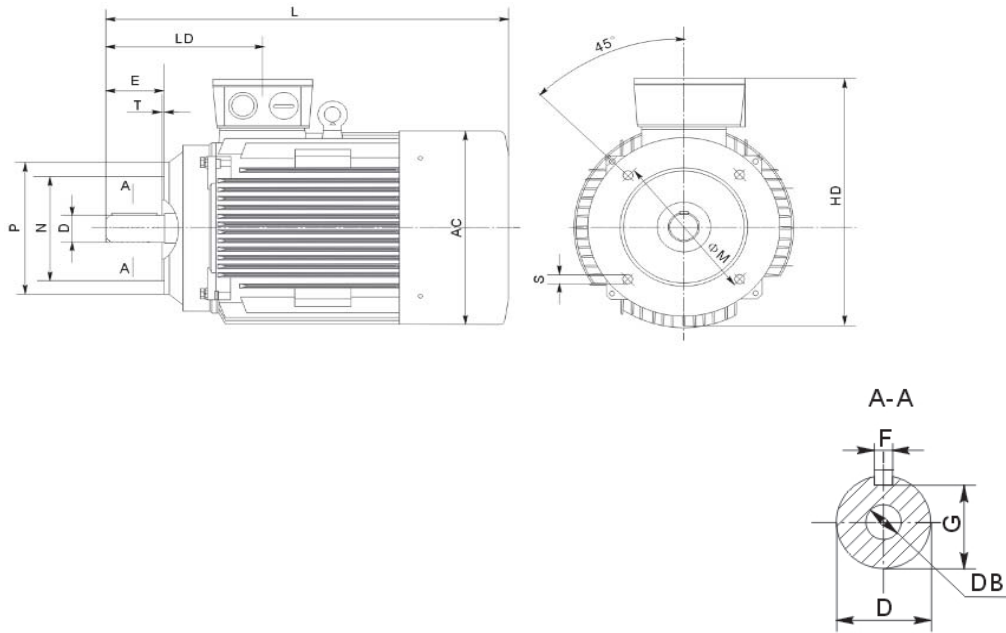


- A PART OF ADDTECH GROUP

## DATA SHEET

Customer:	
Ref.:	
Order:	
Motor:	
Serial nr:	
Date:	29-08-2018

### Flange mounted motor B14A & B14B



#### Flange type: B14A

M: 0  
N: 0  
P: 0  
S: 0

#### B14B

0  
0  
0  
0

HD: 440  
L: 655  
L (V1): 705

E: 110  
D: 42  
G: 37  
DB: M16  
F: 12

#### Bevi Group:

BEVI AB, Sweden  
BEVI Nord AB, Sweden  
BEVI A/S, Denmark  
BEVI Norge A/S, Norway  
BEVI Finland OY AB, Finland  
BEVI Est Oü, Estonia  
BEVI UAB, Lithuania  
BEVI CHINA, China

www.bevi.se  
www.bevi.se  
www.bevi.dk  
www.bevi.no  
www.bevi.fi  
www.bevi.ee  
www.bevi.lt  
www.bevi.cn

sales@bevi.se  
bevinord@bevi.se  
bevi@bevi.dk  
info@bevi.no  
info@bevi.fi  
bevi@bevi.ee  
info@bevi.lt  
sales@bevi.cn

+46 499 271 00  
+46 90 70 44 30  
+45 39 67 36 05  
+47 22 07 66 50  
+358 9 2709 1210  
+372 6828 755  
+370 5 2611 112  
+86 21 5032 5200

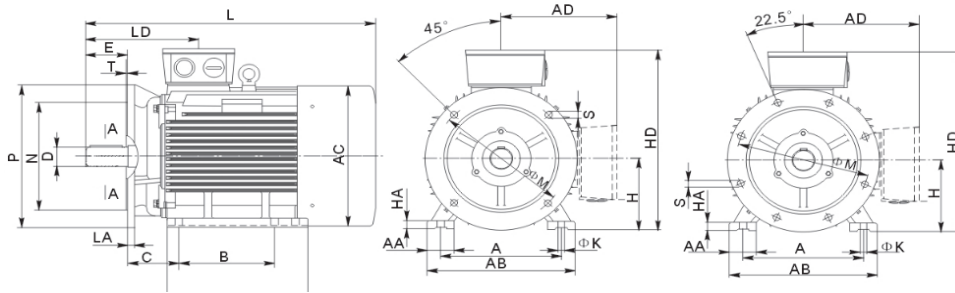


- A PART OF ADDTECH GROUP

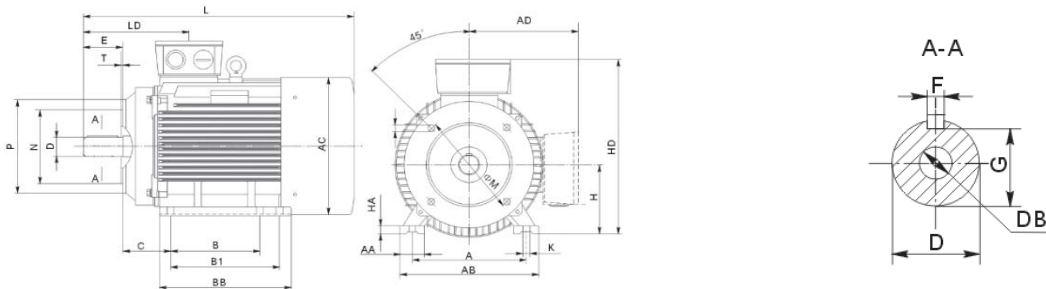
## DATA SHEET

Customer:	
Ref.:	
Order:	
Motor:	
Serial nr:	
Date:	29-08-2018

### Foot & flange mounted motor B3/B5



### B3/B14A & B3/B14B



#### Flange type: B5

M: 300  
N: 250  
P: 350  
S: 18,5

A: 254  
B: 210  
AB: 320  
AC: 320  
AD: 285

#### B14A

M: 0  
N: 0  
P: 0  
S: 0

HD: 440  
C: 108  
H: 160  
K: 14,5  
L: 655

#### B14B

M: 0  
N: 0  
P: 0  
S: 0

E: 110  
D: 42  
G: 37  
DB: M16  
F: 12

L (V1): 705

#### Bevi Group:

BEVI AB, Sweden  
BEVI Nord AB, Sweden  
BEVI A/S, Denmark  
BEVI Norge A/S, Norway  
BEVI Finland OY AB, Finland  
BEVI Est Oü, Estonia  
BEVI UAB, Lithuania  
BEVI CHINA, China

www.bevi.se  
www.bevi.se  
www.bevi.dk  
www.bevi.no  
www.bevi.fi  
www.bevi.ee  
www.bevi.lt  
www.bevi.cn

sales@bevi.se  
bevinord@bevi.se  
bevi@bevi.dk  
info@bevi.no  
info@bevi.fi  
bevi@bevi.ee  
info@bevi.lt  
sales@bevi.cn

+46 499 271 00  
+46 90 70 44 30  
+45 39 67 36 05  
+47 22 07 66 50  
+358 9 2709 1210  
+372 6828 755  
+370 5 2611 112  
+86 21 5032 5200