



## 300 SERIES

- Ranges from 0 psig to 15 through 0 psig to 10,000 psig; absolute ranges from 0 psia to 15 psia through 0 psia to 300 psia
- Current and voltage outputs available
- 316 and 13-8PH stainless steel wetted parts
- RoHS compliant
- CE compliant to suppress RFI, EMI and ESD

### APPLICATIONS

- HVAC
- Hydraulics & pneumatics
- Injection molding machines
- Railroad equipment
- Stamping & forming presses

### SPECIFICATIONS

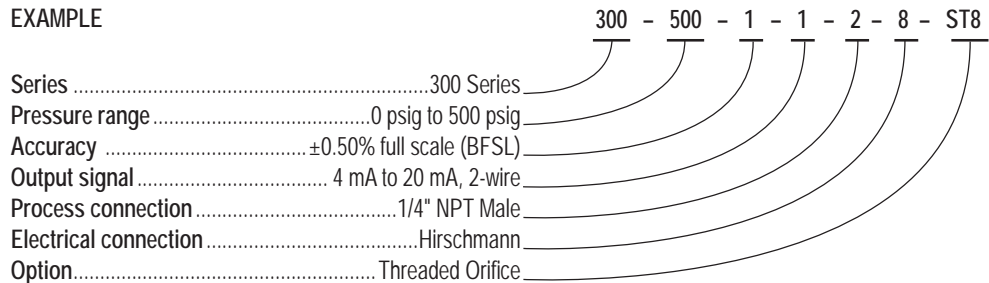
Output signals	4 mA to 20 mA, 2-wire; 0 Vdc to 5 Vdc, 3-wire; 1 Vdc to 5 Vdc, 3-wire; 0 Vdc to 10 Vdc, 3-wire; 0.5 Vdc to 4.5 Vdc ratiometric, 3-wire
Pressure ranges	0 psig to 15 psig through 0 psig to 10,000 psig Absolute from 0 psia to 15 psia through 0 psia to 300 psia
Accuracy	±0.5% full scale (BFSL); optional ±0.25% full scale (BFSL); (includes the effects of non-linearity, hysteresis, non-repeatability, zero point and full scale errors)
Stability	≤ ±0.2% full scale per year, non-accumulating
Response time	≤ 4 ms (between 10% and 90% full scale)
Pressure cycle limit	150 Hz
Durability	> 100,000,000 full scale cycles
Temperature ranges	Compensated 32 °F to 176 °F (0 °C to 80 °C) Media 32 °F to 176 °F (0 °C to 80 °C) Ambient 32 °F to 176 °F (0 °C to 80 °C) Storage -4 °F to 176 °F (0 °C to 80 °C)
Power requirement*	8 Vdc to 30 Vdc (4 mA to 20 mA, 2-wire, 0 Vdc to 5 Vdc, 3-wire, 1 Vdc to 5 Vdc, 3-wire, 0.5 Vdc to 4.5 Vdc, 3-wire) 14 Vdc to 30 Vdc (0 Vdc to 10 Vdc, 3-wire) 5 Vdc ± 10% (0.5 Vdc to 4.5 Vdc ratiometric, 3-wire)
Load limitations	≤ (VPower-10)/0.020 Amp for 4 mA to 20 mA output ≤ 5,000 Ω for 1 Vdc to 5 Vdc output ≤ 10,000 Ω for 0 Vdc to 10 Vdc output ≤ 4,500 Ω for 0.5 Vdc to 4.5 Vdc output
Proof pressure	2 times full scale
Burst pressure	6 times full scale
Measuring element	316 stainless steel for absolute through 150 psi 13-8PH stainless steel for ≥150 psi
Connection	316 stainless steel
Housing material	316 stainless steel
Environmental rating	IP65 to IP67 depending on electrical connection
Electromagnetic rating	CE compliant to EMC norm EN 61326:1997/A1:1998 RFI, EMI and ESD protection
Electrical protection	Reverse polarity, over-voltage and short circuit protection
Shock	500 g's according to IEC 60068-2-27
Vibration	10 g's according to IEC 60068-2-6
Weight	Approximately 2.8 oz.

\* Unregulated

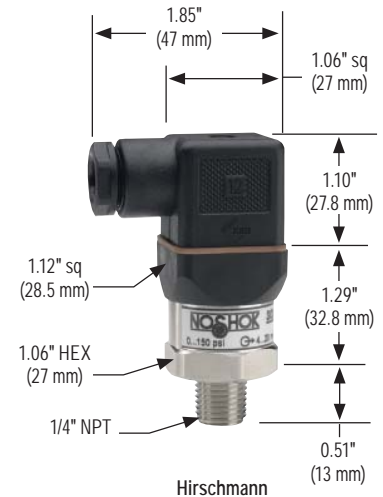
ORDERING INFORMATION				
SERIES	300			
PRESSURE RANGES	15 0 psig to 15 psig	300 0 psig to 300 psig	3000 0 psig to 3,000 psig	30A 0 psia to 30 psia
	30 0 psig to 30 psig	500 0 psig to 500 psig	5000 0 psig to 5,000 psig	60A 0 psia to 60 psia
	60 0 psig to 60 psig	750 0 psig to 750 psig	6000 0 psig to 6,000 psig	100A 0 psia to 100 psia
	100 0 psig to 100 psig	1000 0 psig to 1,000 psig	7500 0 psig to 7,500 psig	150A 0 psia to 150 psia
	150 0 psig to 150 psig	1500 0 psig to 1,500 psig	10000 0 psig to 10,000 psig	200A 0 psia to 200 psia
	200 0 psig to 200 psig	2000 0 psig to 2,000 psig	15A 0 psia to 15 psia	300A 0 psia to 300 psia
	psig = gauge pressure    psia = absolute pressure    Other ranges available upon request.			
ACCURACIES	1 ±0.5% full scale (BFSL)	2 ±0.25% full scale (BFSL)		
OUTPUT SIGNALS	1 4 mA to 20 mA, 2-wire	3 1 Vdc to 5 Vdc, 3-wire	13 0.5 Vdc to 4.5 Vdc, 3-wire (ratiometric)	
	2 0 Vdc to 5 Vdc, 3-wire	5 0 Vdc to 10 Vdc, 3-wire		
PROCESS CONNECTIONS	2 1/4" NPT male	10 G 1/4 B	45 SAE J1926-3:7/16-20	
	8 1/2" NPT male	11 G 1/2 B		
ELECTRICAL CONNECTIONS	1 36" cable (connected to option 8)		8 Hirschmann (DIN EN 175301-803 form A)	25 M12 x 1 (4-pin)
	7 Mini-Hirschmann (DIN EN 175301-803 form C)		14 Hirschmann type with 1/2" NPT female conduit	36 6' Integral cable
OPTION	ST8 Threaded Orifice (0.3 mm)			

Please consult your local NOSHOK Distributor or NOSHOK, Inc. for availability and delivery information.

### EXAMPLE



\* Note: (mate supplied separately)



**2-WIRE WIRING**

Wiring	M12	Hirschmann	Cable
+ Supply	1	1	Brown
+ Output	3	2	Blue

**3-WIRE WIRING**

Wiring	M12	Hirschmann	Cable
+ Supply	1	1	Brown
Common	3	2	Blue
+ Output	4	3	White