





**Product Information**

**Chemical**

**New Generation: Optimized series 4030 replaces series 8200**

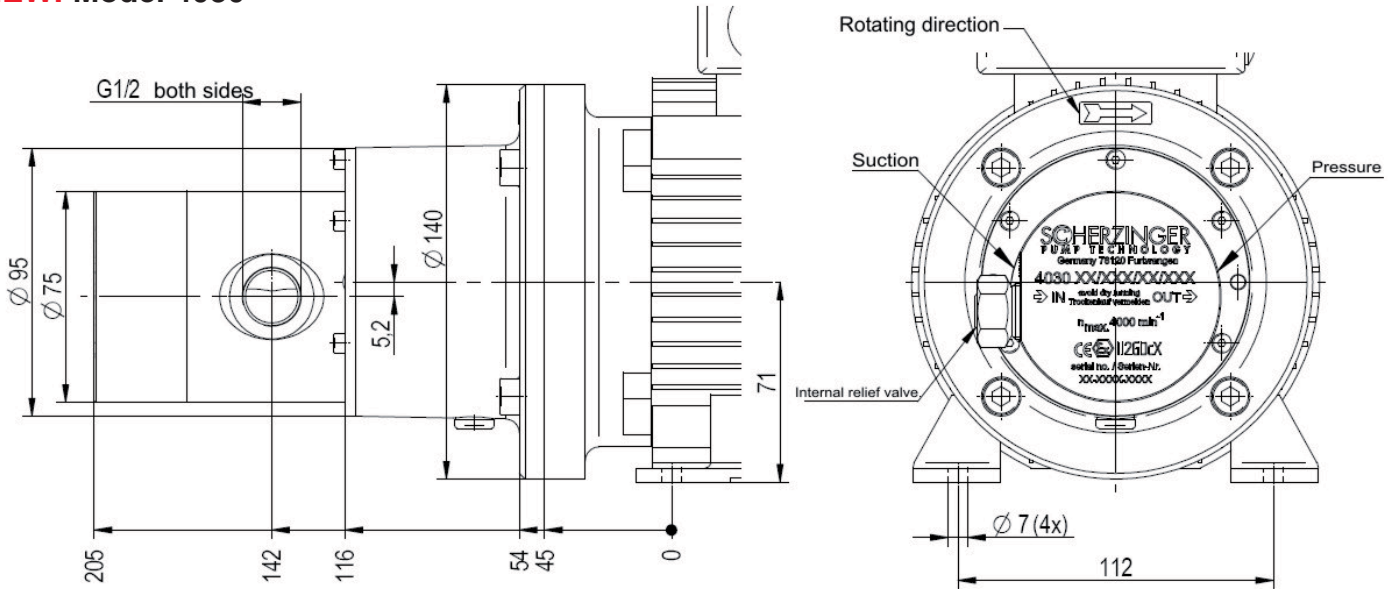
Compact, reliable and powerful – due to the optimized design, the series 3030 persuades with a higher hydraulic efficiency. Optimized bearings guarantee for a higher operational life of the new dosing pumps. The series pump heads are simple to maintain and change, providing customers with the additional advantage of ease of maintenance. Refer to the following overview for further advantages:

**Operating Range:**

		
Model	<b>NEW 4030</b>	<b>OLD 8200</b>
Displacement	2,8 / 4,5 / 7,1 cm <sup>3</sup>	4,2 cm <sup>3</sup>
System pressure	100 bar	30 bar
Sealing surface	2	3
Pressure relief valve	with / without	with / without
Sealing material	arbitrary	PTFE
Integrated PT100	optional	not available
Max. differential pressure	12 bar	8 bar
Max. temperature	130°C	130°C

**Fitting Drawings for series 4030 und 8200:**

**NEW: Model 4030**



**OLD: Model 8200**

