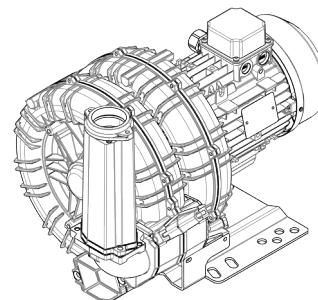


| Technical Characteristics | |
|--|--|
| <ul style="list-style-type: none"> - Aluminum alloy construction - Smooth operation - Maintenance free | |
| Electric Motor | |
| <ul style="list-style-type: none"> - Motors with IP 55 protection rating. - class F insulation, suitable for operating with inverter (refer to FPZ) - Thermal Protector (PTO) as standard | |
| Options | |
| <ul style="list-style-type: none"> - Special voltages (IEC 60038) - Surface treatments - Increased seal version | |

| ~3 | [V] (Y / Δ) | [Hz] |
|------------|-----------------------|------|
| IE2 | 400 / 230 | 50 |
| | 460 / 265 | 60 |
| Wide Range | 345 - 415 / 200 - 240 | 50 |
| | 380 - 480 / 220 - 280 | 60 |

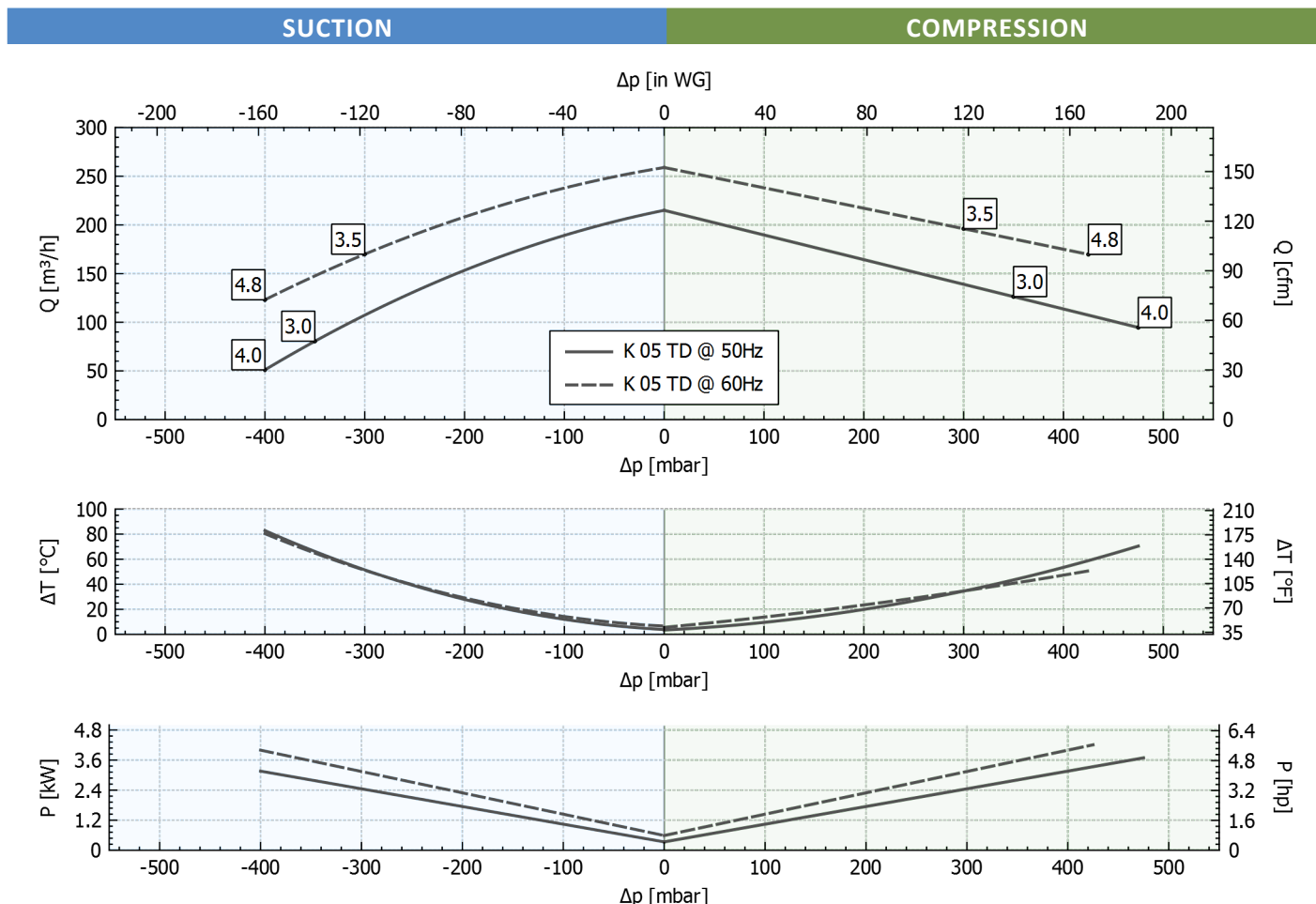
Supply voltage - IE2 only at 50 Hz - Tolerance on the fixed voltage value $\pm 10\%$, in range $\pm 5\%$.



Performance Table

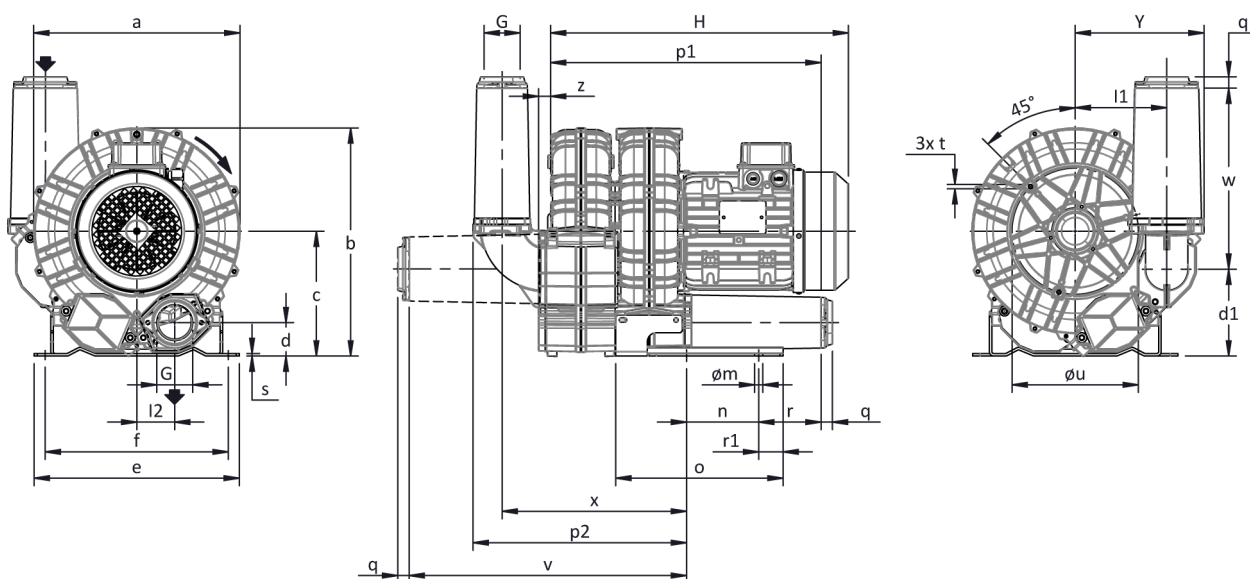
| P _n [kW] | Frequency [Hz] | Δp _{max} [mbar] | | Q _{max} [m³/h] | Leq ¹ [dB(A)] | Weight [kg] | H ³ [mm] | Current Consumption (Y/Δ) [A] | | Cosφ [-] | Speed [rpm] |
|---------------------|----------------|--------------------------|-------------|-------------------------|--------------------------|-------------|---------------------|-------------------------------|-----------------------|----------|-------------|
| | | Suction | Compression | | | | | IE2 ² | Range | | |
| 3 | 50 | 350 | 350 | 215 | 70.6 | 44.5 | 475 | 6.27 / 10.8 | 6.88-6.36 / 11.9-11.0 | 0.82 | 2920 |
| 3.5 | 60 | 300 | 300 | 259 | 72.6 | 44.5 | 475 | 6.23 / 10.8 | 7.29-6.23 / 12.6-10.8 | 0.84 | 3515 |
| 4 | 50 | 400 | 475 | 215 | 70.6 | 45.5 | 495 | 8.12 / 14.05 | 8.80-8.26 / 15.2-14.3 | 0.82 | 2910 |
| 4.8 | 60 | 400 | 425 | 259 | 72.6 | 45.5 | 495 | 8.10 / 14.03 | 9.37-8.10 / 16.2-14.0 | 0.84 | 3480 |

1. Noise level measured at a distance of 1 m with ducted intake and delivery, in accordance with Standard ISO 3744.
2. IE2 only at 50 Hz.
3. See figure "dimensions" at following page.



Tolerance on indicated values $\pm 10\%$.
 Data subject to change without notice.
 Curves referring to air at a temperature of 20 °C and atmospheric pressure of 1013 mbar (abs).

Dimensions



For all assembly options refer to FPZ.

NOT Binding

Dimensions in mm

| a | b | c | d | d1 | e | f | G | l | l1 | l2 | m | n | o | p1 | p2 | q | r | r1 | s | t | u | v | w | x | y | z |
|-----|-----|-----|----|-----|-----|-----|------|---|-----|----|----|-----|-----|-----|-----|----|----|------|---|----|-----|-----|-----|-----|-----|----|
| 327 | 365 | 200 | 54 | 140 | 325 | 260 | G 2" | - | 145 | 60 | 15 | 115 | 265 | 428 | 340 | 18 | 98 | 38.5 | 4 | M8 | 200 | 440 | 285 | 293 | 206 | 19 |

INSTALLATION

- For proper operation of the machine, it must be provided with a suction FILTER and a vacuum/pressure limiting VALVE.
- Other accessories are available on request.
- Permissible ambient and fluid temperature in suction from -15 °C to +40 °C.
- Read the instruction manual carefully before installing the machine.