



- A PART OF ADDTECH GROUP

DATA SHEET

Customer:	
Ref.:	
Order:	
Motor:	
Serial nr:	
Date:	20-08-2018

ASYNCHRONOUS MOTOR Sh 63-2B

Nameplate data:

Code: 118079

Type:	Sh 63-2B			IP55	F/B	Amb. temp.: Max. 45°		
kW	Hz	V	A	Rpm	Cos	Eff. 100%	Duty	IE.class
0,25	50	220-240 D	1,13	2760	0,83	68,0%	S1	IE1-(Eff2)
0,25	50	380-415 Y	0,65	2760	0,83	68,0%		
0,30	60	440-480 Y	0,68	3312	0,83	68,0%		

Description:

Mounting form:	B14
Bearing DE:	6202 2Z
Bearing NDE:	6202 2Z
Weight - Kg.:	4,2
Heater:	No Heater
PTC:	No PTC
Kgm ² :	
Sound press.-db(A):	

Other:

Test data S1-duty, Amb.temp 40°C:

Voltage - V:	400
Frequency - Hz:	50
Power - kW:	0,25
Full load speed - Rpm:	2760
Full load current - A:	0,65
Full load power factor - Cos:	0,83
Locked rotor current - A:	2,6
Locked rotor factor - A_{st}/A_n :	4,0

Efficiency 100% load - %:	68,0%
Efficiency 75% load - %:	
Efficiency 50% load - %:	
Full load torque - Nm:	0,9
Locked rotor torque - Nm:	1,7
Locked rotor torque - Nm_{st}/Nm_n :	2,0
Max. Pull out torque - Nm:	1,7
Max. Pull out torque. - Nm_{st}/Nm_n :	2,0

Over load/speed test	kW	Hz	V	A	Rpm
Over load 160% - 15sec.	0,40	50	400	1,04	2760
Over speed 125% - 2 min.	0,25	63	400	0,65	3450
H-Pot test voltage: 1800V			Temp. rise in stator:		

The motor is produced in accordance with following harmonized standards:

IEC60034-1, IEC60034-2, IEC60034-5, IEC60034-6, IEC60034-7, IEC60034-8, IEC60034-9
IEC60034-12, IEC60034-14, IEC60034-30, IEC60072.

Additional specifications in accordance with:

RINA - GL - LRS - BV - DNV - ABS - KR - RR - CCS - CCC - RMRS.

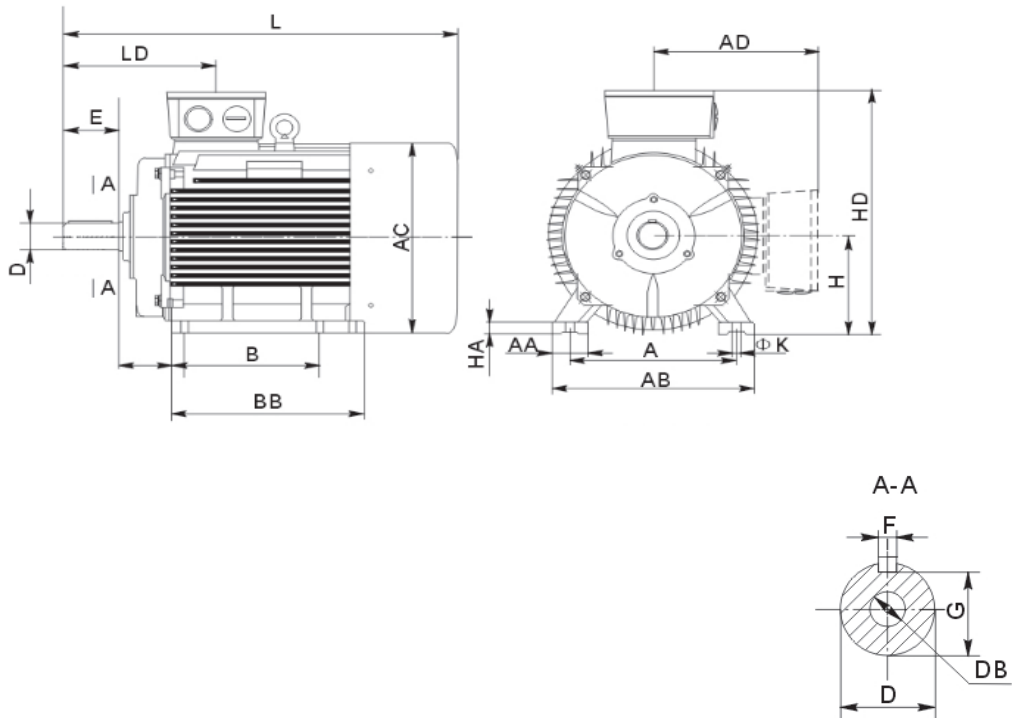


- A PART OF ADDTECH GROUP

DATA SHEET

Customer:	
Ref.:	
Order:	
Motor:	
Serial nr:	
Date:	20-08-2018

Foot mounted motor Sh 63-2B B3



A: 100	HD: 165	E: 23
B: 80	C: 40	D: 11
AB: 124	H: 63	G: 0
AC: 126	K: 7	DB:
AD: 70	L: 214	F: 4
	L (V1): 245	

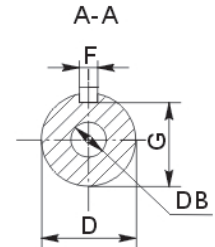
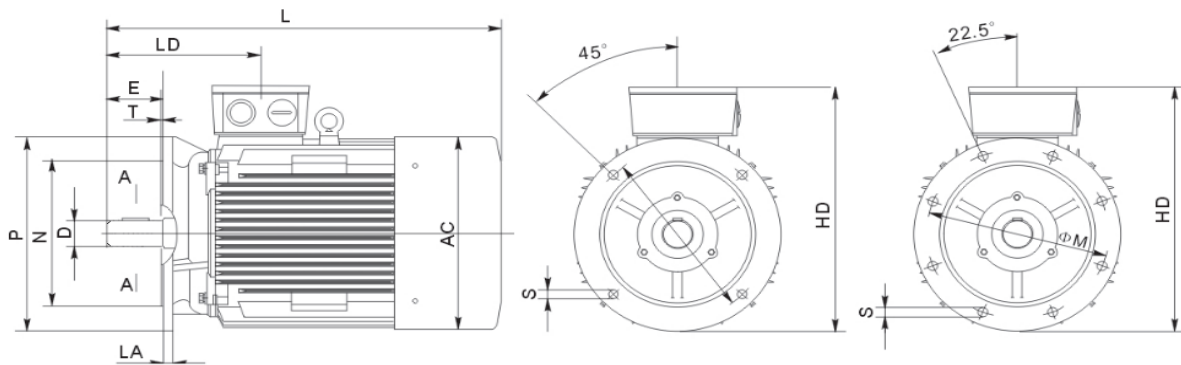


- A PART OF ADDTECH GROUP

DATA SHEET

Customer:	
Ref.:	
Order:	
Motor:	
Serial nr:	
Date:	20-08-2018

Flange mounted motor Sh 63-2B B5 (V1)



M: 115	HD: 165	E: 23
N: 95	L: 214	D: 11
P: 140	L (V1): 245	G: 0
S: 10		DB:
		F: 4

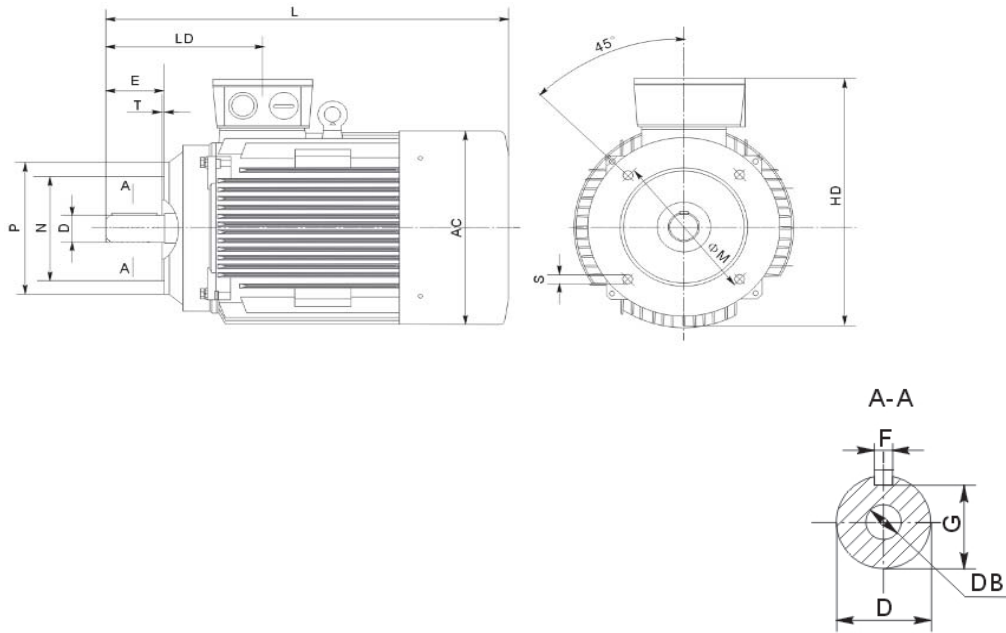


- A PART OF ADDTECH GROUP

DATA SHEET

Customer:	
Ref.:	
Order:	
Motor:	
Serial nr:	
Date:	20-08-2018

Flange mounted motor B14A & B14B



Flange type: B14A

M: 75
N: 60
P: 90
S: M5

B14B

100
80
120
M6

HD: 165
L: 214
L (V1): 245

E: 23
D: 11
G: 0
DB:
F: 4

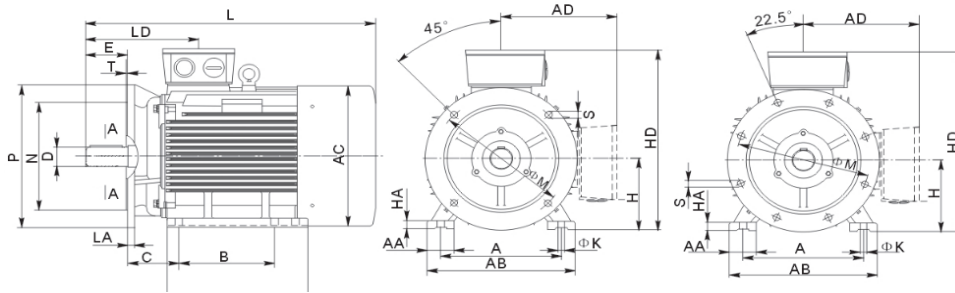


- A PART OF ADDTECH GROUP

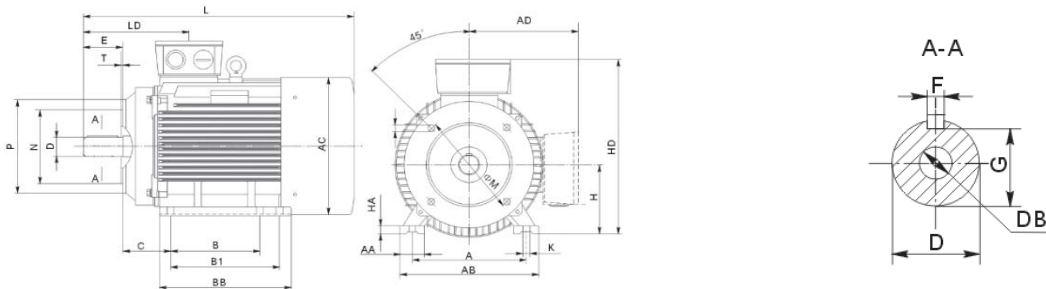
DATA SHEET

Customer:	
Ref.:	
Order:	
Motor:	
Serial nr:	
Date:	20-08-2018

Foot & flange mounted motor B3/B5



B3/B14A & B3/B14B



Flange type: B5

M: 115
N: 95
P: 140
S: 10

A: 100
B: 80
AB: 124
AC: 126
AD: 70

B14A

M: 75
N: 60
P: 90
S: M5

HD: 165
C: 40
H: 63
K: 7
L: 214

L (V1): 245

B14B

M: 100
N: 80
P: 120
S: M6

E: 23
D: 11
G: 0
DB:
F: 4