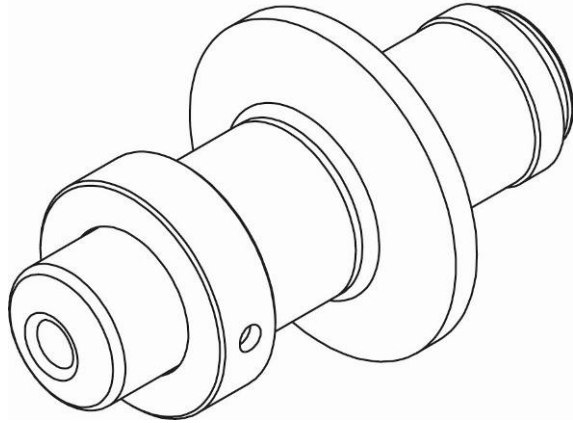


# 46.60X



## OEM Pressure Transmitter Low Cost

### Applications

- ▶ OEM Pressure transmitter for hygienic applications

### Characteristics

- ▶ ceramic sensor
- ▶ accuracy 0,5 % FSO according to IEC 60770
- ▶ nominal pressure ranges from 0 ... 5 bar up to 0 ... 40 bar
- ▶ Output signal: 4 ... 20 mA / 2-wire



## Technical Data

Input pressure range						
Nominal pressure gauge [bar]		5	10	16	25	40
Overpressure (static) [bar]		10	20	40	100	100
Burst pressure ≥ [bar]		12	25	50	120	120

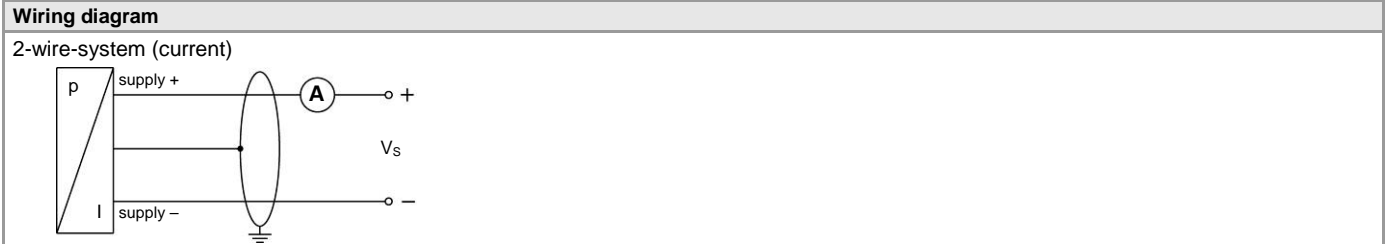
Output signal / Supply	
2-wire	4 ... 20 mA / $V_S = 8 ... 32 V_{DC}$
Performance	
Accuracy <sup>1</sup>	$\leq \pm 0,5 \% \text{ FSO}$
Permissible load	$R_{max} = [(V_S - V_S \text{ min}) / 0.02 A] \Omega$
Influence effects	supply: 0,05 % FSO / 10 V load: 0,05 % FSO / k $\Omega$
Response time	$\leq 10 \text{ ms}$
<sup>1</sup> accuracy according to IEC 60770 – limit point adjustment (non-linearity, hysteresis, repeatability)	
Thermal effects (Offset and Span) / Permissible temperatures	
Thermal error	$\leq \pm 0,2 \% \text{ FSO} / 10 \text{ K}$ in compensated range -25 ... 85 °C
Permissible temperatures	medium: -40 ... 125 °C electronics / environment: -40 ... 85 °C storage: -40 ... 100 °C
Electrical protection	
Short-circuit protection	permanent
Reverse polarity protection	no damage, but also no function
Electromagnetic protection	emission and immunity according to EN 61326
Mechanical stability	
Vibration	10 g RMS (25 Hz ... 2000 Hz) according to DIN EN 60068-2-6
Shock	500 g / 1 msec according to DIN EN 60068-2-27
Connections	
Electrical	Cable outlet incl. 5 m PVC-cable Ingress protection: IP 68
Mechanical	Hygienic connection DN 38

# 46.60X

OEM Pressure Transmitter

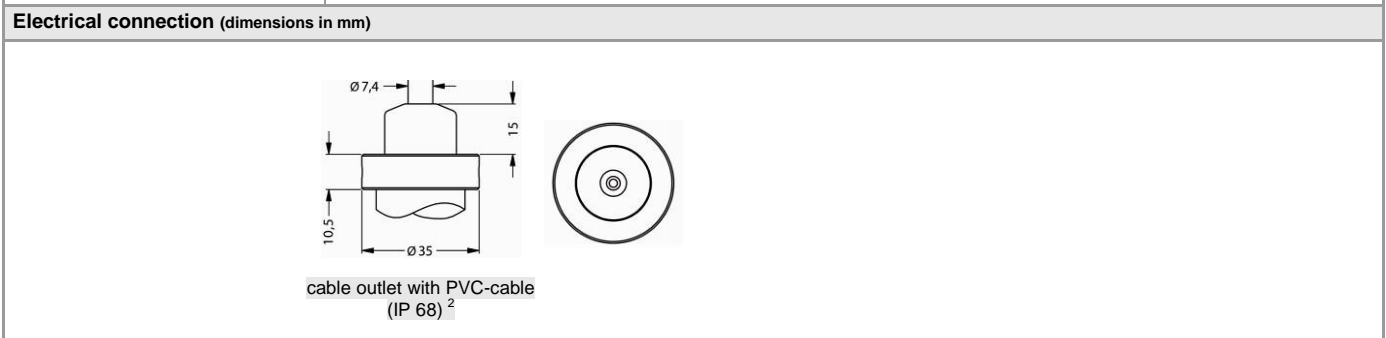
Technical Data

Materials	
Pressure port	stainless steel 1.4404 (316 L)
Housing	stainless steel 1.4301 (304)
Seal	FKM
Diaphragm	ceramics Al <sub>2</sub> O <sub>3</sub>
Media wetted parts	pressure port, seal, diaphragm
Miscellaneous	
Weight	approx. 200 g
Current consumption	max. 25 mA
Long term stability	≤ ± 0.3 % FSO / year
Operational life	> 100 x 10 <sup>6</sup> pressure cycles
CE-conformity	EMC Directive: 2004/108/EC



**Pin configuration**

Electrical connection	cable colour (DIN 47100)
Supply +	wh (white)
Supply -	bn (brown)
Shield	ye/gn (yellow / green)



<sup>2</sup> standard: 5 m PVC-cable

**Mechanical connections (dimensions in mm)**

