

**SST 01-10-062-112-05-H-1D1-0.5-J5****Industrial Light Curtain**

Industrial Light Curtains

**Compatible Receivers:**

SSR 01-4-062-112-05-H-1D1-0.5-J8

SSR 01-10-062-112-05-H-1D1-0.5-J8



Product Data	
Channel Spacing	5 mm
Function	Transmitter
Operation Mode	Thru Beam
Supply Voltage	12 - 30 V dc
Connection	0.5 m cable with 5 pin, M12 plug
Sensing Range	10 m
Length	620 mm
Active Height	560 mm
Housing	33 x 36 mm

Technical Data	
Supply Voltage	12 - 30 V dc
Reverse Polarity Protected	Yes
Current Consumption	100 mA
Number of Channels	112
Number of Cross Scanning Beams	334
Number of Parallel Beams	112
Distance, Beams Pinch Point	2,5 mm
Channel Spacing	5 mm
Test Input	Yes
Power On Indicator	Green LED
Light Source	Infrared (880 nm)
Profile Dimensions (w x d)	33 x 36 mm
Housing Material, Front Lens	Polycarbonate
Housing Material, Profile	Aluminium (black anodised)
Cable	5 x 0,2 mm <sup>2</sup>
Cable Sleeve	PVC Ø 5,9 mm

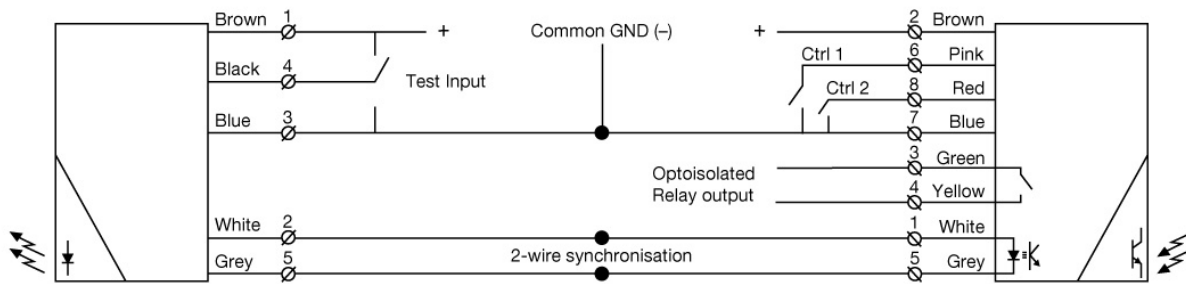
**Environmental Data**

Vibration	10 - 55 Hz, 0,5 mm
Shock	30 g
Operation Temperature	-30 to +60 °C
Storage Temperature	-40 to +80 °C
Sealing Class	IP 67

**Approvals**



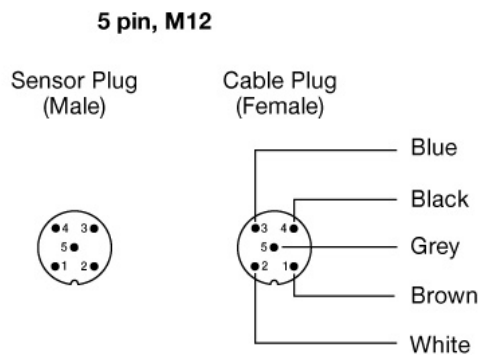
**Wiring Diagram**



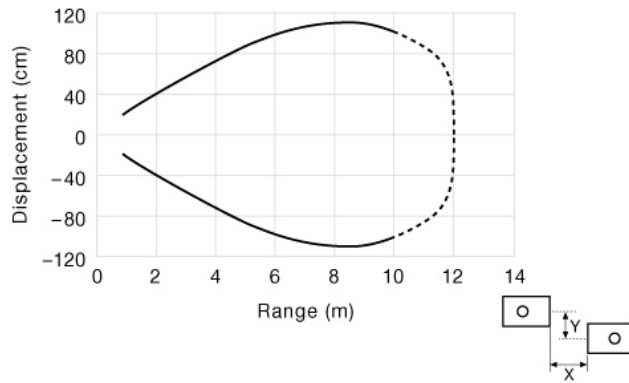
**SST 01**  
Connect black test input wire to + or - to disable SST

**SSR 01**  
Ctrl 1 Parallel or cross beams selection  
Ctrl 2 Blanking function set-up

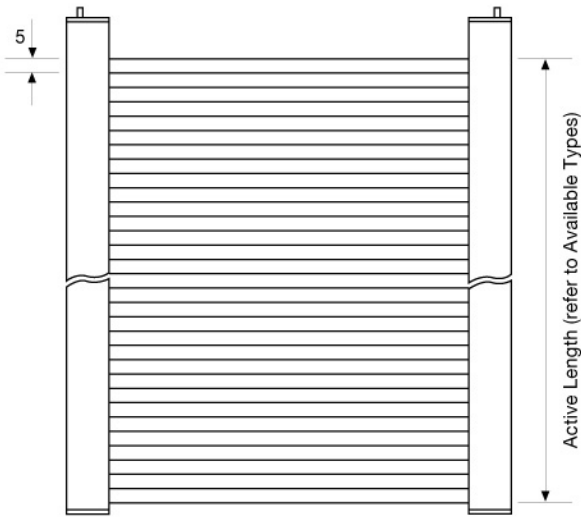
**Connections**



Parallel Displacement

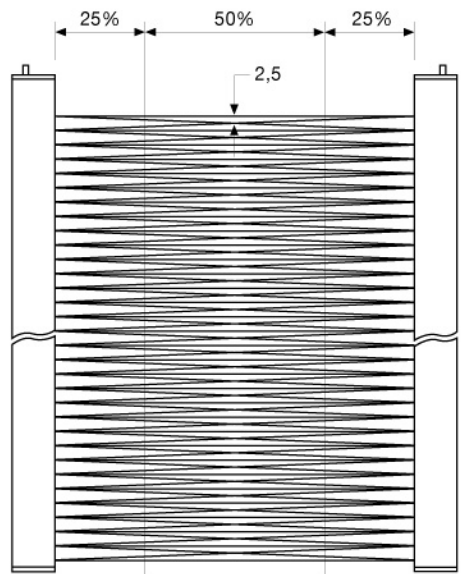


Beam Patterns



Parallel Beams

5 mm channel spacing



Cross Beams

Dimensions

