

2 Type

SP3 Body
Steel forged

3 Coding

M Magnetic piston
from size 360 and up

1

Size	F _H in N Holding capacity	F _S in N Clamping force at 4 bar ≈	a	b ₁	b ₂	d ₁	d ₂	d ₃	d ₄	Inside Ø Connection tube	h
70	1200	550	14	42	64	8,5	M 6	4,3	G1/8	4	52
360	5600	1000	27,5	55	90	12	M 8	5,5	G1/8	4	70
1100	16000	1850	28	66	133	16	M 10	8,5	G1/4	6	88
2100	25000	3000	38,5	80	177	20	M 12	8,5	G1/4	8	100

Size	l ₁	l ₂	l ₃	l ₄	m ₁	m ₂	m ₃	m ₄	s ≈	t	w Stroke
70	171	78,5	20	64	26	13	26	-	8	12	12
360	260	113	32	116	33,5	30	36,5	-	9,5	16	21
1100	355	171	49	167	41	15	35	41	12	18	31
2100	469	222	61,5	231	50	35	50	50	13	22	45

Specification

- Body
Steel
- forged
- chemically blackened
- Parts in sheet metal
- case-hardened steel C10
- zinc plated, blue passivated
- Tapped connecting rod
Steel St 37
zinc plated, blue passivated
- Bearing pins (Bearing rivets)
case-hardened
- Double-action air cylinder
max. pressure 6 bar
- All moving parts
lubricated with special grease
- RoHS compliant

Accessory

- Proximity switches GN 896.1 / GN 896.2
→ Page 584

Information

The working principle of the GN 890 pneumatic toggle clamps is identical in construction and dimensions to the manual toggle clamps GN 842.

To ensure an ex-tended life of the mechanical parts aas well as the air cylinder, the operating pressure should not exceed 6 bar. In addition a lubrication control unit should be mounted in the air in-feed line. The sturdy mounting frame for the cylinder has been designed to avoid the trunions of the cylinder to protruding over the frame.

GN 890 pneumatic toggle clamps are also available as from size 360 as version M (with magnetic piston). In conjunction with a proximity switch (GN 896.1 / GN 896.2) the position of the piston is sensed and the generated signal can be used in sequence control systems.

How to order (without magnetic piston)

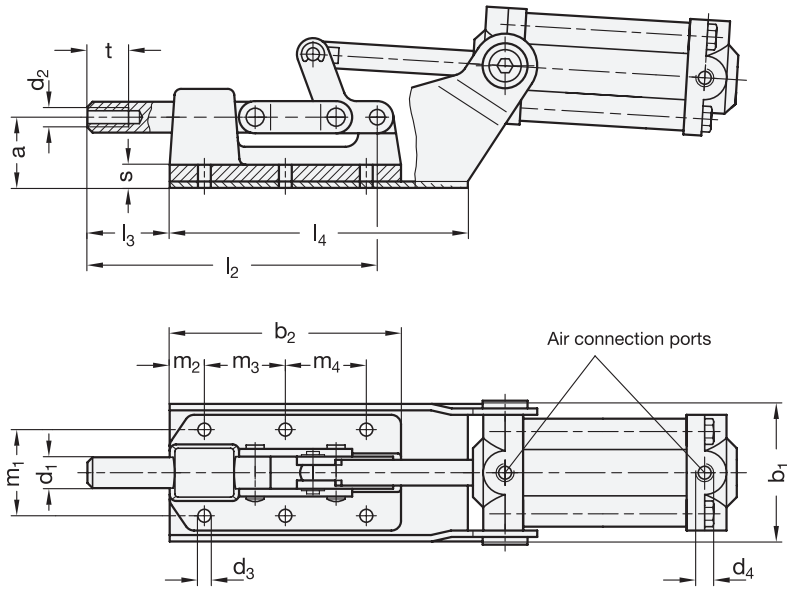
1	Size
2	Type

GN 890-1100-SP3

How to order (with magnetic piston)

1	Size
2	Type
3	Coding

GN 890-360-SP3-M

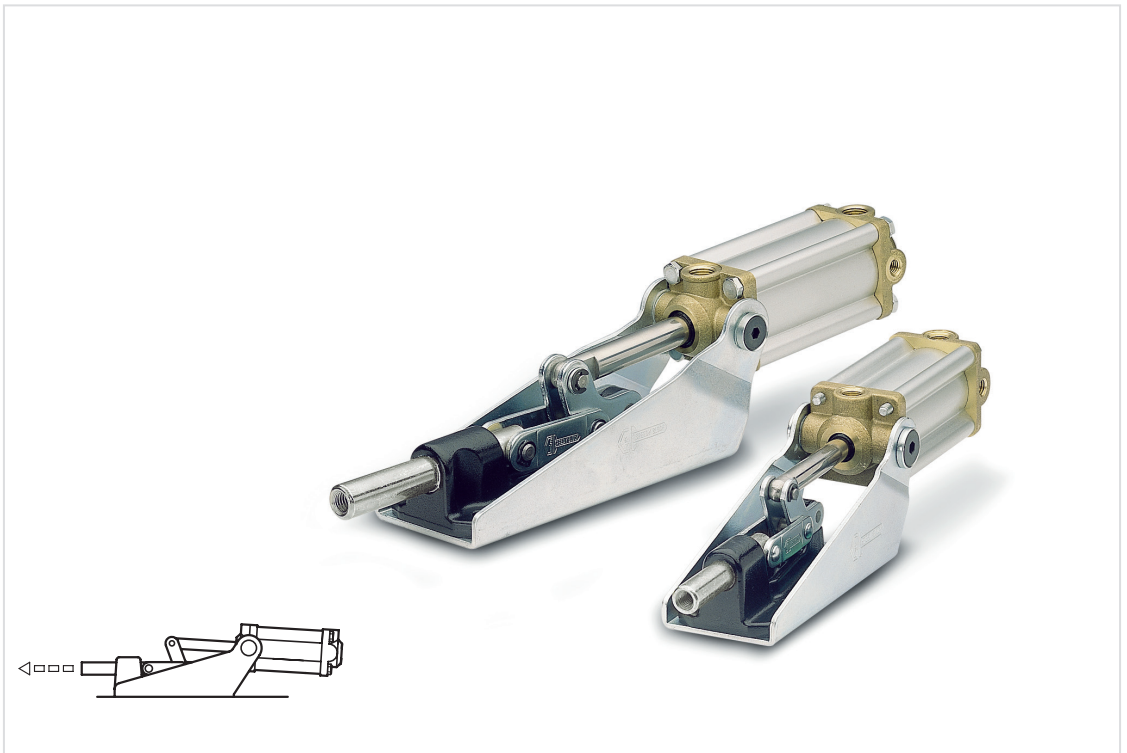


1.1

1.2

1.3

1.4



2.1

2.2

2.3

2.4

