

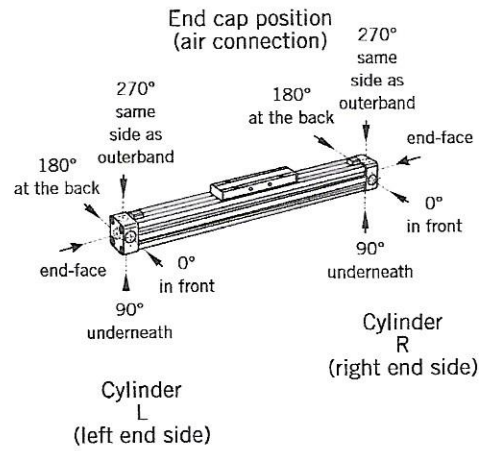
Order Instructions – Basic Cylinder

1-4	5+6	7	8	9	10	11	12-16	17	18	19	20	21	22	23	24	25
OSPP	25	0	0	0	0	0	01100	0	0	0	0	0	0	0	0	0

Piston-Ø	Stroke Length	Piston Mounting	add. Guide Carriage	Measuring system
10	In mm (5 digits)	0 without	0 without	0 without
16		1 clevis mounting		X SFI 0,1 mm
25				Y SFI 1 mm
32				
40				
50				
63				
80				

Version / Piston	Lubrication	End cap position	Guides/ Brakes/ Inversion	Cover/ Cable Channel
0 standard	0 standard	0 l+r 0° = in front	0 without	0 standard
1 Tandem	1 slow speed ²⁾³⁾	1 l+r 90° = underneath	A Activebrake AB Ø25-80	1 Cablechannel
		2 l+r 180° = at the back	M Inversion Ø16-80	2 Cablechannel two-sided
		3 l+r 270° = same side as outerband	N Duplex Ø25,32,40,50	X without cover rail
		4 l 90° = underneath; r 0° = in front		
		5 l 180° = at the back; r 0° = in front		
		6 l 270° = same side as outerband; r 0° = in front		
		7 l 0° = in front; r 90° = underneath		
		8 l 180° = at the back; r 90° = underneath		
		9 l 270° = same side as outerband; r 90° = underneath		
		A l 0° = in front; r 180° = at the back		
		B l 90° = underneath; r 180° = at the back		
		C l 270° = same side as outerband; r 180° = at the back		
		D l 0° = in front; r 270° = same side as outerband		
		E l 90° = underneath; r 270° = same side as outerband		
		F l 180° = at the back; r 270° = same side as outerband		

Air Connection	Seals
0 standard	0 standard (NBR)
1 end face	1 Viton ^{® 1)}
2 both at one end (not turnable)	
3 left stand. right end face	
4 right stand. left end face	
A 3/2 Way valve VOE 24 V = Ø25,32,40,50	
B 3/2 Way valve VOE 230 V- /110 V= Ø25,32,40,50	
C 3/2 Way valve VOE 48 V = Ø25,32,40,50	
E 3/2 Way valve VOE 110 V- Ø25,32,40,50	



1) Viton with VOE not available.
 2) Slow speed lubrication in combination with Viton® seals on demand
 3) „Lubrication slow speed“ in combination with „max. cushioning length“ not possible.

Accessories - please order separately

Description	Further information see
End Cap Mountings	Page 105
Mid-Section Support	Page 106
Adaptor Profile	Page 118
T-Slot Profile	Page 119
Adaptor Profile	Page 120
Multiplex Connection	Page 122
Magnetic Switches	Page 123- 126