



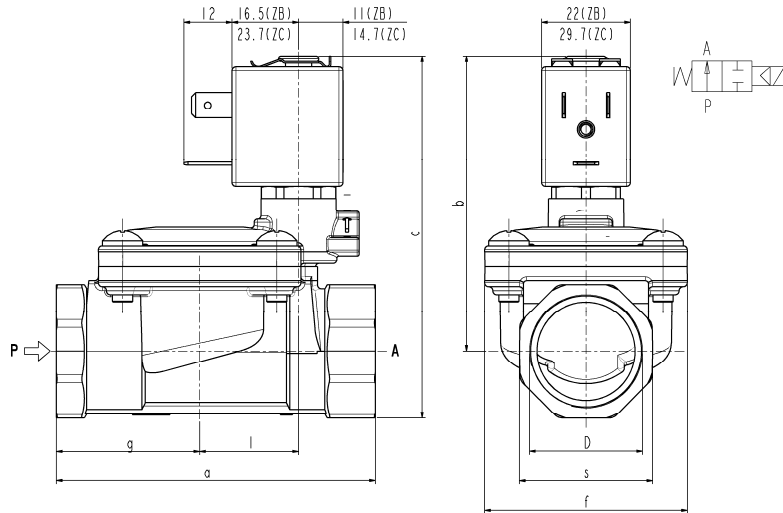
SOLENOID VALVE

2/2- NO (Normally open)

Pilot operated

G 3/8 ÷ G 1

L282



D	a	b	c	f	g	l	s
G 3/8	60	67	78	40	25,5	20	22
G 1/2	66	69	83	40	29	20	27
G 3/4	79	73,5	90	50	35,5	24,5	33
G 1	105	86	107	71	46	28	42

► GENERAL FEATURES

Diaphragm valve, pilot operated, having full orifice.
Suitable to shut off liquid and gaseous fluids (verify the compatibility of fluid with material in contact).

► TECHNICAL FEATURES

Maximum allowable pressure (PS) 20bar
Opening time from ~300ms to ~1500ms
Closing time from ~1000ms to ~2000ms
Fluid temperature -10°C +90°C (NBR)
0°C +130°C (FPM)
Max viscosity 5°E (~37 cStokes or mm²/s)

► MATERIALS IN CONTACT WITH FLUID

Body Brass
Sealing NBR or FPM
Internal components Brass and stainless steel
Seat Brass
Core tube Stainless steel
Shading coil Copper

► COIL

Approval
Encapsulation material
Insulation class
Ambient temperature
Continuous duty
Electric connection
Protection degree
Voltages DC
AC

ZB10K ZC10A	ZB12K ZC12A	ZB14K ZC14A
/	▲ UL and CSA	▲ UL and CSA
PA fiberglass reinforced F (155°C)	PET fiberglass reinforced F (155°C)	PET fiberglass reinforced H (180°C)
-10°C +60°C	-10°C +60°C	-10°C +75°C
ED 100%		
DIN 46340- 3 poles plug connector (EN 175301-803 for ZC)		
IP 65 (EN 60529) with plug connector	IP 67 (EN 60529) with plug connector	IP 67 (EN 60529) with plug connector
ZC: 12-24V (+10% -5%) ZB: 24V/50-60Hz - 120V/60Hz - 230V/50-60Hz - 220-230/50Hz 208-240/60Hz (on request) - (+10% -15%)		
(Other voltages and frequencies on request)		

▲ : approval valid for ZB12K - ZB14K only

Port size ISO 228	Orifice size (mm)	Differential pressure (bar)				Kv (m ³ /h)	Series and type		Power absorption				Sealings	Notes	Weight (kg)
		Δp max					Valve	Coil	AC (VA)			DC			
		Gas		Liquids					Inrush	Holding	DC				
3/8	13,5	12	12	12	12	L282B01 L282V01	ZB10K ZB12K	11,7	10	7,6	-	NBR FPM		0,32	
1/2															0,35
3/4	18	10	10	12	L282B01 L282V01	ZB10K ZB12K	11,7	10	7,6	-	NBR FPM		0,52		
1	24	12	12	12	L282B01 L282V01									ZC10A ZC12A	-
3/8	13,5	12	12	12	2,5	L282B01 L282V01	ZB10K ZB12K	-	-	-	-	NBR FPM			
1/2														18	10
3/4	18	10	10	12	L282B01 L282V01	ZB10K ZB12K	11,7	10	7,6	-	5,5	NBR FPM		0,52	
1	24	12	12	12	L282B01 L282V01										ZC10A ZC12A

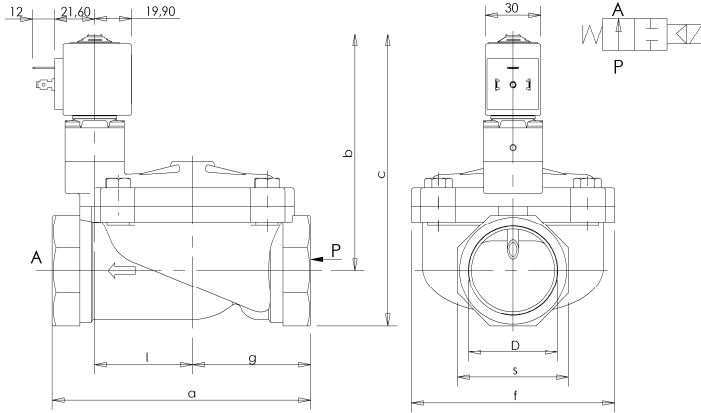
► NOTES

- Sealings: NBR=Nitrile-butylene elastomer FPM=Fluoro-carbon elastomer
- Operation with gaseous media, at high pressure without any outlet restriction, can reduce the diaphragm life.
- On request coil in class H (ZB14K - ZC14A - see § "COIL")



SOLENOID VALVE
2/2 - NO (Normally open)
 Pilot operated
G1 ¼ ÷ 2

L280
 G 1" ¼ ÷ 2"



D	a	b	c	f	g	l	s
G 1 ¼	113	125	151	81	50	40	52
G 1 ½	140	128	158	110	60	53	60
G 2	157	133	169	110	72	53	72

► **GENERAL FEATURES**

Diaphragm valve, pilot operated, having full orifice.
 Suitable to shut off liquid and gaseous fluids (verify the compatibility of fluid with materials in contact).
 Not suitable for use with dangerous fluids listed in Group 1, therefore they are free from CE marking in conformity with article 3 § 3 of the European Directive 97/23/EC (Pressure Equipment Directive).

► **MATERIALS IN CONTACT WITH FLUID**

Body Brass
Sealing NBR or FPM
Internal components Brass and stainless steel
Seat Brass
Guide assembly Stainless steel
Shading ring Copper

► **TECHNICAL FEATURES**

Maximum allowable pressure (PS) 15 bar
Opening time from ~300ms to ~1500ms
Closing time from ~1000ms to ~2000ms
Fluid temperature -10°C +90°C (NBR)
 0°C +130°C (FPM)
Max viscosity 5°E (~37 cStokes or mm²/s)

► **COIL**

Continuous duty ED 100%
Encapsulation material PET (polyethylene terephthalate) fiberglass reinforced
Coil insulation class F (155°C) on request class H (180°C) - UL
Ambient temperature -10°C +50°C
Electric connection DIN 46340 - 3 poles connector (DIN 43650)
Protection degree IP 65 (EN 60529) with plug connector
Voltages DC 12-24V (+10% -5%)
 AC 24V/50Hz - 110V/50Hz (120V/60Hz) - 230V/50Hz (+10% -15%)
 (Other voltages and frequencies on request).

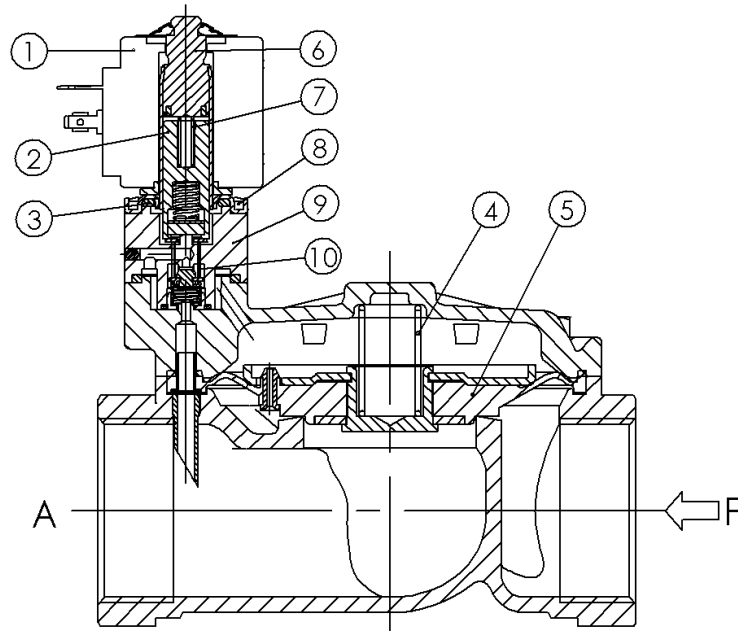
Port size ISO 228	Orifice size (mm)	Differential pressure (bar)				Kv (m³/h)	Series and type		Power absorption			Sealings	Notes	Weight (kg)					
		Δp max					Valve	Coil	AC (VA)		DC (W)								
		Gases		Liquids					Inrush	Holding									
G 1 ¼	30	0,50	10	10	10	10	L280B48	23	14	9	NBR	-	1,790						
G 1 ½	45												2,720						
G 2	45												3,130						
G 1 ¼	30												L280V48	23	14	9	FPM	-	1,790
G 1 ½	45																		2,720
G 2	45																		3,130

► **NOTE**

- Sealings : NBR = Nitrile-butylene elastomer FPM = Fluoro-carbon elastomer
 - Operation with gaseous fluids at high pressure without any outlet restriction can reduce the diaphragm life.

L280 G 1" ¼ ÷ 2"

► SPARE PARTS



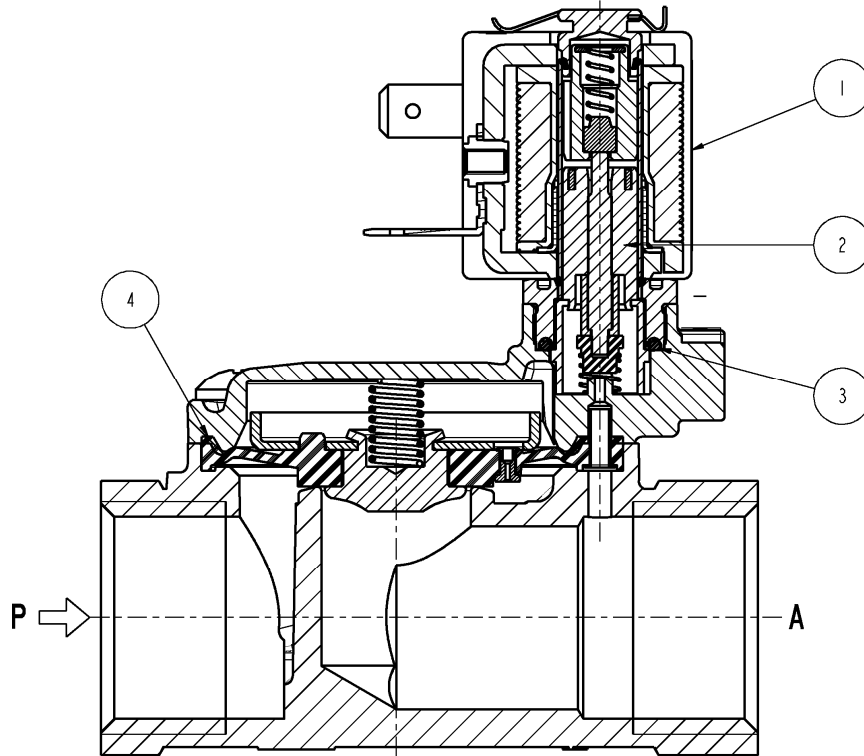
Kit description		Kit P.N.	Consisting of:
Core kit	L280B48 L280V48	G3108901 G3108902	Core pos. 2 Core OR pos. 3 Core return spring pos. 7
Reversing group kit	L280B48 L280V48	G3109101 G3109102	Reversing block pos. 9 Core return spring pos. 7 N.4 fixing screws pos. 8 Fork pos. 10
OR guide assembly	L280B48 L280V48	GU2421000053 GU2424000053	N.10 Guide group OR pos. 3
Diaphragm spring kit	G 1 ¼ G1 ½ - 2	G2401101 G2401501	N.10 diaphragm springs pos. 4
Diaphragm assembly	G 1 ¼ L280B48 G1 ½ - 2 L280B48 G 1 ¼ L280V48 G1 ½ - 2 L280V48	2400801R 2401301R 2400802R 2401302R	Diaphragm assembly pos. 5
Guide assembly		3092201R	Guide assembly pos. 6
Coil		ZA30A	Coil pos. 1

► MOUNTING

Solenoid valve can be mounted in any position; vertical with coil upwards preferred.

L282

► SPARE PARTS



Kit description		Kit P.N.	Consisting of:	
Actuator kit		G3139801	Actuator kit pos.2 O-Ring guide assembly pos. 3	
Diaphragm assembly	L282B	G3/8-1/2	2844302R	Diaphragm assembly pos.4
		G3/4	2299701R	
		G1	2380101R	
	L282V	G3/8-1/2	2844303R	
		G3/4	2299702R	
		G1	2380102R	
Coil		ZB ZC	Coil pos.1	

► INSTALLATION

- Solenoid valve can be mounted in any position; vertical with coil upwards preferred.