

Driver LCA 160W 350–1050mA one4all C PRE OTD

PREMIUM outdoor series

**Product description**

- _ Dimmable built-in constant current LED Driver
- _ Output current adjustable between 350 – 1,050 mA via ready2mains Programmer, I-select 2 plugs or DALI
- _ Max. output power 160 W
- _ Power input on stand-by < 0.15 W
- _ Dimming range 10 to 100 %
- _ Nominal life-time up to 100,000 h
- _ 5-year guarantee

Housing properties

- _ Compact plastic casing
- _ Type of protection IP20

Interfaces

- _ one4all (DALI DT 6, DSI, switchDIM, corridorFUNCTION V2)
- _ ready2mains (configuration and dimming via mains)
- _ U6Me2 (configuration of chronoSTEP 2 via mains)
- _ Terminal blocks: 45° / 0° push terminals

Functions

- _ Adjustable output current (DALI, ready2mains, I-select 2)
- _ Programmable chronoSTEP: times and levels (DALI, U6Me2, ready2mains)
- _ Constant light output function (CLO)
- _ Configurable via ready2mains
- _ Low-temperature start feature (-40 to +70 °C temperature range)
- _ Protective features (overtemperature, short-circuit, overload, no-load, input voltage range, reduced surge amplification)
- _ Suitable for emergency escape lighting systems acc. to EN 50172

Benefits

- _ Application-oriented operating window for maximum compatibility
- _ Best energy savings due to low stand-by losses and high efficiency
- _ Reliability proven by life-time up to 100,000 h and 5-year guarantee
- _ Flexible configuration via DALI, ready2mains, U6Me2 and I-select 2
- _ In-field programming possible after installation
- _ High overvoltage protection: up to 10 kV asymmetric (protection class I and II)

Typical applications

- _ Road, street and industry
- _ For luminaires of protection class I and protection class II

Website

<http://www.tridonic.com/28001074>



Spotlights



Downlights



Linear



Area



Floor | Wall



Free-standing



Street



Decorative

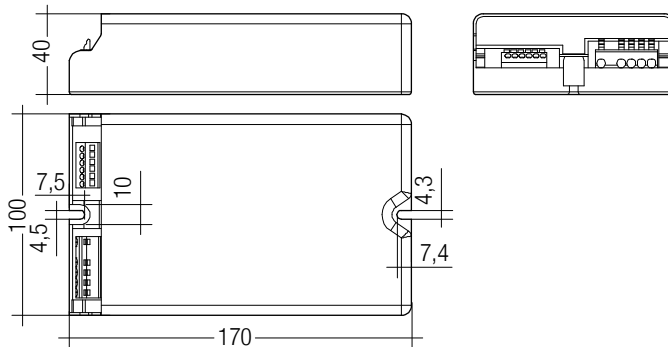


High bay

Driver LCA 160W 350–1050mA one4all C PRE OTD

PREMIUM outdoor series

The complete data sheet for this product is available in the Downloads section.

**Ordering data**

Type	Article number ^⑦	Packaging, carton	Packaging, pallet	Packaging, high volume	Weight per pc.
LCA 160W 350-1050mA one4all C PRE OTD	28001074	5 pc(s).	300 pc(s).	-	0.943 kg

Technical data

Rated supply voltage	220 – 240 V
AC voltage range	198 – 264 V
DC voltage range	176 – 280 V
Mains frequency	0 / 50 / 60 Hz
Overvoltage protection	320 V AC, 48 h
Typ. current (at 230 V, 50 Hz, full load) ^{①②}	529 – 751 mA
Typ. current (220 V, 0 Hz, full load, 15 % dimming level) ^②	107 – 132 mA
Leakage current (at 230 V, 50 Hz, full load) ^{①②}	< 380 A
Max. input power	172.5 W
Typ. efficiency (at 230 V, 50 Hz, full load) ^②	94 %
λ (at 230 V, 50 Hz, full load) ^①	0.99
Typ. power input on stand-by ^③	< 0.15 W
In-rush current (peak / duration)	84 A / 255 s
THD (at 230 V, 50 Hz, full load) ^①	< 4.2 %
Time to light (at 230 V, 50 Hz, full load) ^①	< 640 ms
Time to light (DC mode)	< 500 ms
Switchover time (AC/DC)	< 80 ms
Turn off time (at 230 V, 50 Hz, full load)	< 20 ms
Output current tolerance ^{①④}	\pm 3 %
Max. output current peak (non-repetitive)	\leq output current + 40 %
Output LF current ripple (< 120 Hz)	\pm 4.5 %
Max. output voltage	400 V
Dimming range	10 – 100 %
Mains surge capability (between L - N) ^⑤	6 kV / 3,000 A
Mains surge capability (between L/N - PE)	6 kV
Mains surge capability up to (between L/N - PE) without DALI connection	10 kV
Burst protection ^⑥	6 kV
Surge voltage at output side (against PE)	< 500 V
Dimensions L x W x H	170 x 100 x 40 mm

Approval marks

Standards

EN 55015, EN 61000-3-2, EN 61000-3-3, EN 61000-4-4, EN 61000-4-5, EN 61347-1, EN 61347-2-13, EN 62384, EN 61547, EN 62386-101, EN 62386-102, EN 62386-207, Acc. to EN 50172, Acc. to EN 60598-2-22

Specific technical data

Type	Output current ^①	Min. forward voltage	Max. forward voltage	Max. output power	Typ. power consumption (at 230 V, 50 Hz, full load)	Typ. current consumption (at 230 V, 50 Hz, full load)	tc point max.	Ambient temperature ta	I-select 2 resistor value ^⑧
LCA 160W 350-1050mA one4all C PRE OTD	350 mA	105 V	320.0 V	112 W	120.9 W	529 mA	100 °C	-40 ... +65 °C	-
LCA 160W 350-1050mA one4all C PRE OTD	400 mA	105 V	320.0 V	128 W	137.2 W	600 mA	100 °C	-40 ... +65 °C	12.50 kΩ
LCA 160W 350-1050mA one4all C PRE OTD	450 mA	105 V	320.0 V	144 W	153.6 W	671 mA	100 °C	-40 ... +60 °C	11.11 kΩ
LCA 160W 350-1050mA one4all C PRE OTD	500 mA	105 V	320.0 V	160 W	170.2 W	744 mA	100 °C	-40 ... +60 °C	10.00 kΩ
LCA 160W 350-1050mA one4all C PRE OTD	550 mA	105 V	290.9 V	160 W	170.1 W	742 mA	100 °C	-40 ... +60 °C	9.09 kΩ
LCA 160W 350-1050mA one4all C PRE OTD	600 mA	105 V	266.7 V	160 W	169.7 W	741 mA	100 °C	-40 ... +65 °C	8.33 kΩ
LCA 160W 350-1050mA one4all C PRE OTD	650 mA	105 V	246.2 V	160 W	169.5 W	742 mA	95 °C	-40 ... +65 °C	7.69 kΩ
LCA 160W 350-1050mA one4all C PRE OTD	700 mA	105 V	228.6 V	160 W	169.6 W	743 mA	95 °C	-40 ... +65 °C	7.14 kΩ
LCA 160W 350-1050mA one4all C PRE OTD	750 mA	105 V	213.3 V	160 W	170.0 W	743 mA	95 °C	-40 ... +65 °C	6.67 kΩ
LCA 160W 350-1050mA one4all C PRE OTD	800 mA	105 V	200.0 V	160 W	170.3 W	743 mA	95 °C	-40 ... +65 °C	6.25 kΩ
LCA 160W 350-1050mA one4all C PRE OTD	850 mA	105 V	188.2 V	160 W	170.4 W	743 mA	95 °C	-40 ... +65 °C	5.88 kΩ
LCA 160W 350-1050mA one4all C PRE OTD	900 mA	105 V	177.8 V	160 W	170.8 W	746 mA	95 °C	-40 ... +65 °C	5.56 kΩ
LCA 160W 350-1050mA one4all C PRE OTD	950 mA	105 V	168.4 V	160 W	171.5 W	748 mA	95 °C	-40 ... +65 °C	5.26 kΩ
LCA 160W 350-1050mA one4all C PRE OTD	1,000 mA	105 V	160.0 V	160 W	172.5 W	751 mA	95 °C	-40 ... +65 °C	5.00 kΩ
LCA 160W 350-1050mA one4all C PRE OTD	1,050 mA	105 V	152.4 V	160 W	170.7 W	745 mA	95 °C	-40 ... +65 °C	4.76 kΩ

① Valid at 100 % dimming level.

② Depending on the selected output current.

③ Depending on the DALI traffic at the interface.

④ Output current is mean value.

⑤ L-N acc. to EN 61000-4-5. 2 Ohm, 1,2/50 s, 8/20 s.

⑥ Also applies to corridorFUNCTION.

⑦ Article number 28001074: Made in Europe, article number 87500658: Made in China.

⑧ Not compatible with I-select (generation 1).