



GENERAL CHARACTERISTICS

Temperature sensors in compact executions IP65, for a simple and efficient control, measurement and monitoring of temperature in industrial and OEM applications.

These instruments are available with sensors PT100 - PT1000 - PTC - NTC.

- Compact size.
- Rugged construction.
- Easy to install.
- Maximum operating pressure 50 bar.
- Minimum degree of protection IP65.

TECHNICAL DATA Tab.1

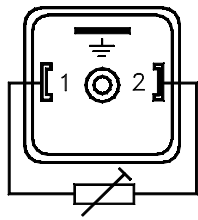
PT100 – PT1000			NTC				PTC								
Class	B	Standard	K Ω at 25°C	5	10	50	100	Initial resistance $\leq 500 \Omega$							
Class	A	On request	B 25/85	3480	3480	3992	4066	Available temperatures °C							
EN 60751 – IEC 751			Accuracy	1	$\pm 5\%$	Standard		60	70	80	90	100	110	120	130
			Accuracy	2	$\pm 3\%$	On request									

PROCESS CONNECTIONS AND MATERIALS Tab.2

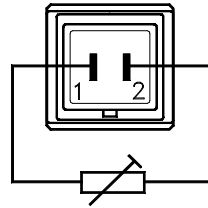
Dimensions			Thread			Materials		
06	15	20	G	C	N	O	B	S
1/8"	1/2"	3/4"	UNI 228/1	UNI 7/1	NPT	Brass	Nickel plated brass	Stainless steel AISI-316
On request			On request			On request		

ELECTRICAL OUTPUT AND WIRING Tab.3

Code	Description	T. max.	IP65
S1	DIN 43650A plug	120 °C	
S4	AMP TIMER 2 poles connector	180 °C	

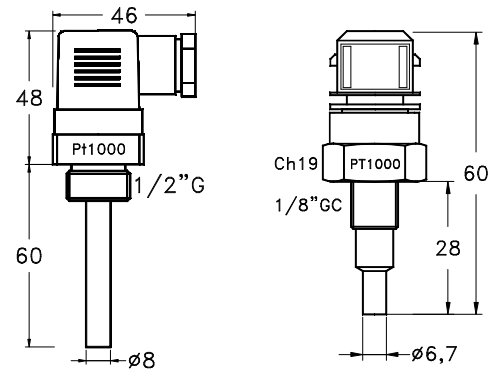


S1



S4

DIMENSIONS Tab.4



VST.S1

VST.S4

Standard Dimension L0 mm.	VST.S1	VST.S4	Code
	60 mm.	28 mm.	0060
			0028

Other L0 dimensions on request.

NOMENCLATURE

VST	NTC1	100	06CO	0028	S4	IP65
•						
	•					
		•				
			•			
				•		
					•	
						•

Name - Type

Tab.1	Sensing element - class or accuracy
Tab.1	Reference temperature
Tab.2	Process connection dimensions, thread and material
Tab.4	L0 dimension
Tab.3	Electrical output
Tab.3	Degree of protection