

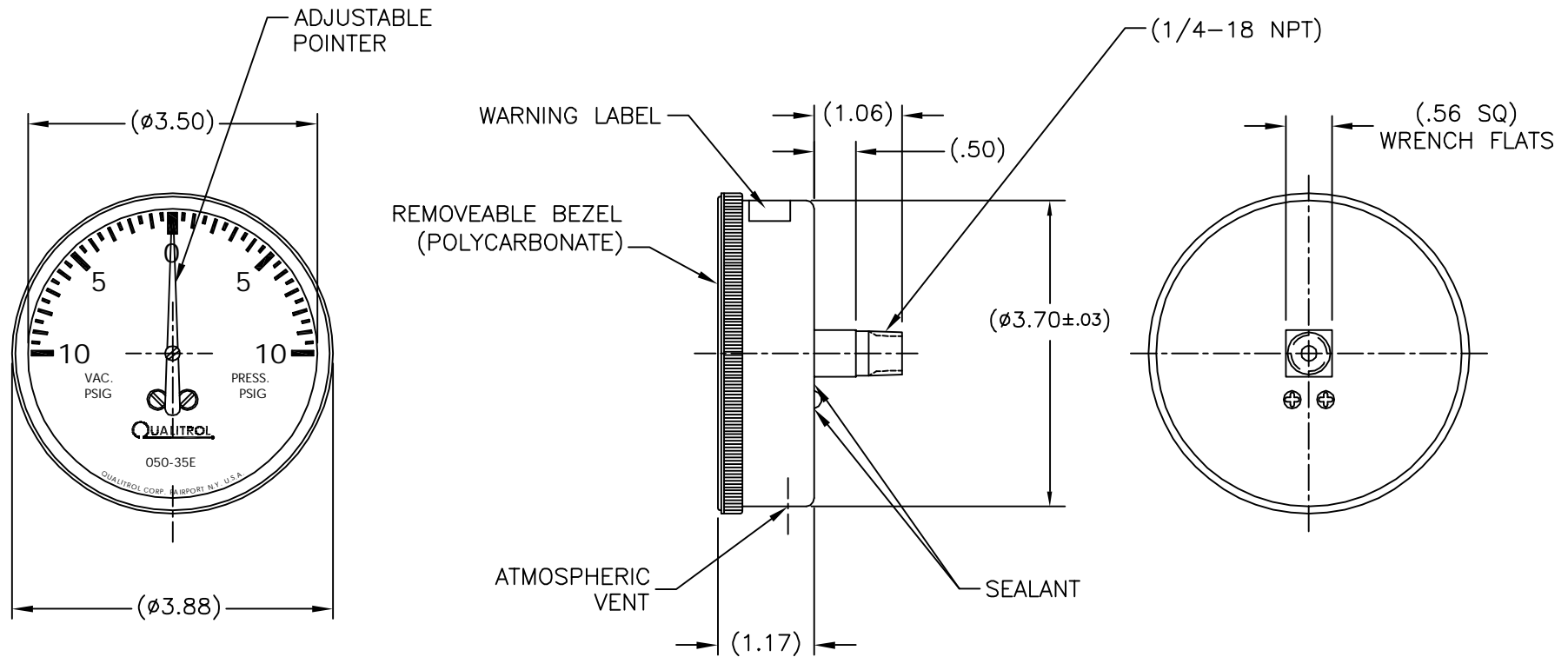
NOTICE

THIS DRAWING IS THE PROPERTY OF QUALITROL CORPORATION AND IS LOANED ONLY ON THE CONDITION THAT IT WILL BE USED TO FACILITATE THE PURPOSE FOR WHICH INTENDED AND NOT BE REPRODUCED, COPIED OR OTHERWISE DISPOSED OF, AND IS NOT TO BE USED IN WHOLE OR PART FOR FURNISHING INFORMATION RELATIVE TO THE MAKING OF DRAWINGS, PARTS APPARATUS OR PARTS THEREOF, EXCEPT BY WRITTEN ORDER FROM QUALITROL CORPORATION.

MODEL NO. 050-35E

NOTES:

1. GAGE ACCURACY: CLASS B MIDDLE HALF OF RANGE = ± 0.4 PSIG
BALANCE OF RANGE = ± 0.6 PSIG
MUST CONFORM TO ANSI B40.1
@ LATEST REV. & QUALITROL PPS-59.
2. DIAL COLORS: BACKGROUND = FLAT BLACK
POINTER & MARKINGS = WHITE
3. DIMENSIONS ARE FOR REFERENCE ONLY.



| | | | |
|-----|--------|----------------------|-------|
| M | 1-2-91 | QUAL. PPS-59 ADDED | 14658 |
| L | 6-7-90 | REDRAWN WITH CHANGES | 14264 |
| LET | DATE | ALTERATION | C.N. |

QUALITROL
CORPORATION

DIMENSIONS AND TOLERANCES IN
ACCORDANCE WITH ASME Y14.5M-1994

PH. (585) 586-1515
FAX (585) 377-0220
1385 FAIRPORT ROAD
FAIRPORT, NY 14450
FORM 0-473 REV.D 10/22/02

TITLE: PV GAGE 10-0-10 PSIG
MODEL NO. 050-35E