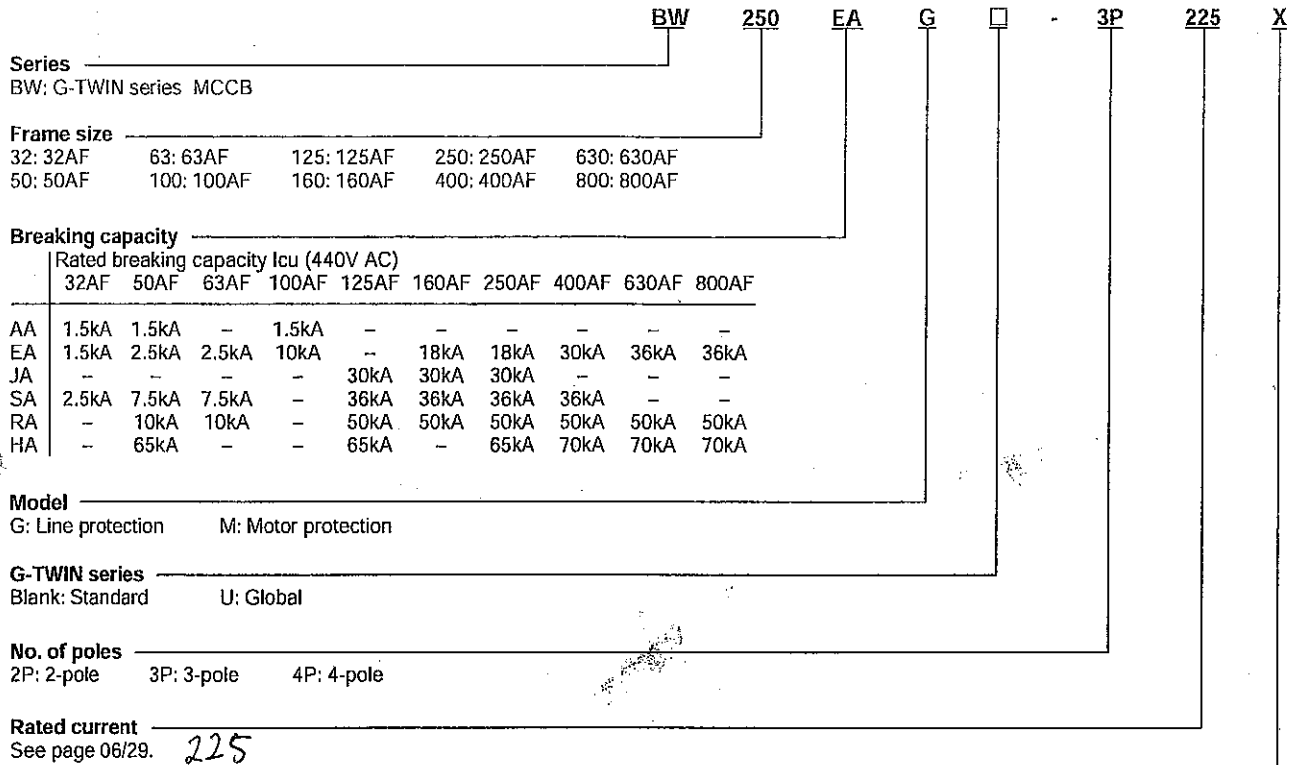


Molded Case Circuit Breakers
G-TWIN series
 Type number nomenclature

Standard



■ Type number nomenclature



Terminal combination (Global type)

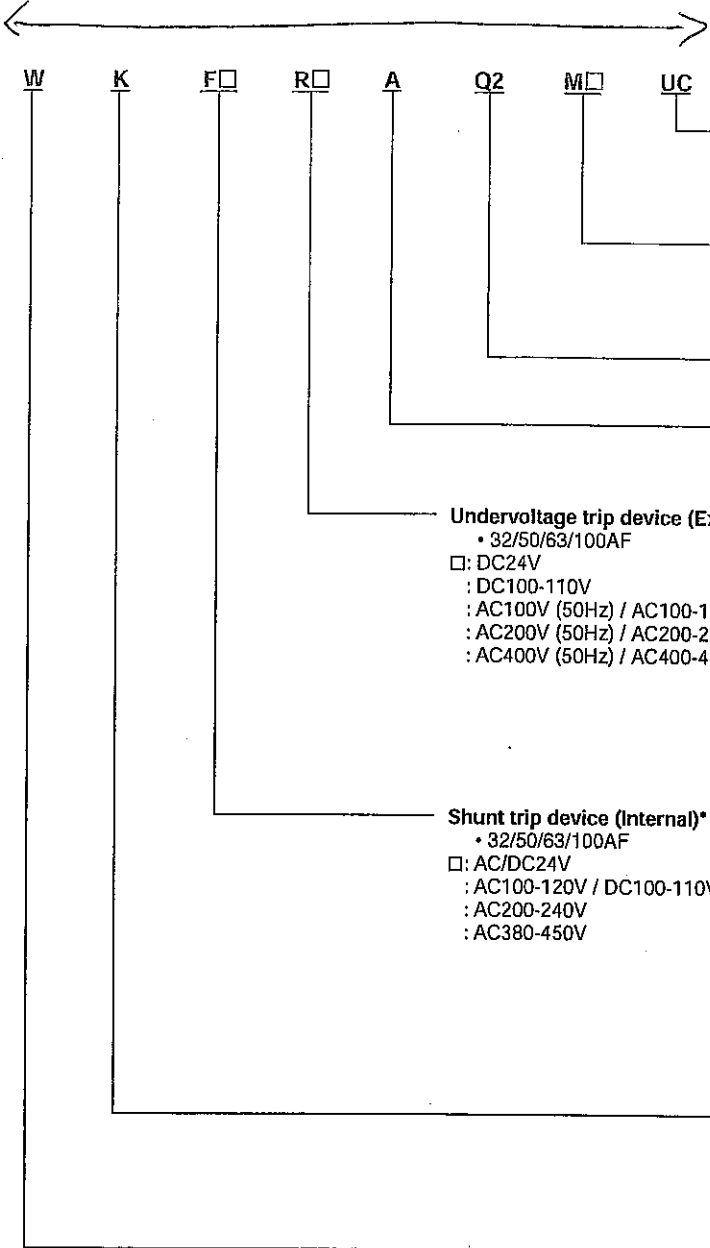
Code	Terminal position		Applicable breaker type		
	Line	Load	BW50	BW100, 125, 250	BW400, 630, 800
Blank	Screw	Screw	●	●	-
Blank	Flat terminal	Flat terminal	-	-	-
SB	Block terminal	Block terminal	-	●	●
SF	Flat terminal	Flat terminal	●	●	-
S3	Screw	Flat terminal	●	●	-
S4	Flat terminal	Screw	●	●	-
S5	Screw	Block terminal	-	●	-
S6	Block terminal	Screw	-	●	-
S7	Flat terminal	Block terminal	-	●	●
S8	Block terminal	Flat terminal	-	●	●

Mounting and connection

- Standard type
- Blank: Front mounting front connection
- X: Front mounting rear connection
- E: Flush mounting rear connection
- Y: Flush mounting, top & bottom connection
- P: Plug-in mounting

Molded Case Circuit Breakers
G-TWIN series
 Type number nomenclature

Option



Enclosure
 UC: Standard
 UV: Dust-proof (IP40)
 UW: Rain-proof (IP54)

With motor operating device (32 - 100AF)
 □: DC100V
 AC100-110V
 AC200-220V

Pad locking device
 Q2: Plate type

Connection method (internal accessories)
 Blank: Lead-wire system
 A: Terminal block system

Undervoltage trip device (External)*
 • 32/50/63/100AF
 □: DC24V
 : DC100-110V
 : AC100V (50Hz) / AC100-110V (60Hz)
 : AC200V (50Hz) / AC200-220V (60Hz)
 : AC400V (50Hz) / AC400-440V (60Hz)

Shunt trip device (Internal)*
 • 32/50/63/100AF
 □: AC/DC24V
 : AC100-120V / DC100-110V
 : AC200-240V
 : AC380-450V

Undervoltage trip device (Internal)*
 • 125/160/250AF • 400/630/800AF
 □: DC24V AC/DC24V
 : DC48V AC/DC48V
 : DC100-110V AC/DC100-110V
 : DC125V AC120-130V / DC125V
 : AC100-110V AC200-240V / DC200-220V
 : AC110-130V AC277V
 : AC200-240V AC380-480V
 : AC277V
 : AC380-415V
 : AC440-480V

Shunt trip device (Internal)*
 • 125/160/250AF • 400/630/800AF
 □: AC/DC24V AC/DC24-48V
 : AC/DC48V AC100-240V / DC100-220V
 : AC100-120V / DC100-110V AC277V
 : AC120-130V AC380-550V
 : AC200-240V / DC200-220V
 : AC277V
 : AC380-440V
 : AC440-480V
 : AC500-550V

Alarm switch*
 K: Standard SPDT
 J: Standard 2PDT
 8: For low level circuit SPDT
 9: For low level circuit 2PDT

Auxiliary switch*
 W: Standard SPDT
 V: Standard 2PDT
 1: For low level circuit SPDT
 2: For low level circuit 2PDT

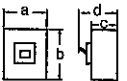
* For the available configuration of accessory, see page 06/68.

06

Molded Case Circuit Breakers
G-TWIN series
 Quick reference guide



■ G-TWIN Standard Series

Ampere frame		250A														
Type		BW250EAG			BW250JAG			BW250SAG			BW250RAG			BW250HAG		
Pole		2	3	2	3	4	2	3	4	2	3	4	2	3		
Rated current Reference amb. temp. (40°C)		175, 200, <u>225</u> , 250 125, 150												125, 150, 160, 175 200, 225, 250		
Rated impulse withstand voltage		Uimp(kV) 6														
Isolation compliant		●														
Rated insulation voltage Ui (V)		AC 690														
		DC 250														
Rated breaking capacity Icu/lcs (kA)	IEC 60947-2 EN 60947-2 JIS C 8201-2-1	AC	690V	-											-	
			500V	5/3	8/4			10/5			10/5			25/7		
			440V	18/9	30/15			36/18			50/25			65/17		
			415V	18/9	30/15			36/18			50/25			65/17		
			400V	18/9	30/15			36/18			50/25			65/17		
			380V	18/9	30/15			36/18			50/25			65/17		
			240V	36/18	50/25			85/43			100/50			125/63		
			230V	36/18	50/25			85/43			100/50			125/63		
		GB14048.2	AC	250V	10/5	20/10			30/15			30/15			40/20	
				400V	18/9	30/15			36/18			50/25			-	
	AC	230V	36/18	50/25			85/43			100/50			-			
		-														
Conforming to standards		CE Marking ● (TÜV)														
		CCC certificate ●														
		Electrical Appliance and Material Safety Law <PS>E' -														
Dimensions (mm)			a	105	105	105	105	140	105	105	140	105	105	140	105	
			b	165			165	165			165			165		
			c	68			68	68			68			68		
			d	95			95	95			95			95		
Mass (kg)		1.4	1.6	1.4	1.6	2.2	1.4	1.6	2.2	1.4	1.6	2.2	1.4	1.6		
Tripping device		Thermal-magnetic														
Front mounting, front connection		No-mark	○	○	○	○	○	○	○	○	○	○	○	○		
Front mounting, rear connection		X	○	○	○	○	○	○	○	○	○	○	○	○		
Flush mounting, front connection		E	○	○	○	○	○	○	○	○	○	○	○	○		
Plug-in mounting		P	○	○	○	-	○	○	-	○	○	-	○	○		
Internal accessories		Page 06/64														
Alarm switch		K	○	○	○	○	○	○	○	○	○	○	○	○		
Auxiliary switch		W	○	○	○	○	○	○	○	○	○	○	○	○		
Undervoltage trip		R	○	○	○	○	○	○	○	○	○	○	○	○		
Shunt trip		F	○	○	○	○	○	○	○	○	○	○	○	○		
External accessories		Page 06/66														
Handle padlocking device Cap type		Q1	○	○	○	○	○	○	○	○	○	○	○	○		
Handle padlocking device Plate type		Q2	○	○	○	○	○	○	○	○	○	○	○	○		
Operating handle N-type		N	○	○	○	○	○	○	○	○	○	○	○	○		
Operating handle V-type		V	○	○	○	○	○	○	○	○	○	○	○	○		
Terminal cover Short		BTQS	○	○	○	○	○	○	○	○	○	○	○	○		
Terminal cover Long		BTQL	○	○	○	○	○	○	○	○	○	○	○	○		
Insulation barrier Interphase		BP	○	○	○	○	○	○	○	○	○	○	○	○		
Handle locking cover		L1	○	○	○	○	○	○	○	○	○	○	○	○		
Flat terminal		SS	○	○	○	○	○	○	○	○	○	○	○	○		
Block terminal		SL	○	○	○	○	○	○	○	○	○	○	○	○		

●: Approved ○: Available -: Not available
 Note: * Electrical Appliance and Material Safety Law of Japan

Molded Case Circuit Breakers
G-TWIN series
Type number/Line protection

● AAG series, 3-pole IEC/EN/GB/JIS conformed

Breaker ampere frame	Rated current (A)	Type	<input type="checkbox"/> Available mounting and connection*
32	3	BW32AAG-3P003 <input type="checkbox"/>	Blank, X, E, Y, P
	5	BW32AAG-3P005 <input type="checkbox"/>	
	10	BW32AAG-3P010 <input type="checkbox"/>	
	15	BW32AAG-3P015 <input type="checkbox"/>	
	20	BW32AAG-3P020 <input type="checkbox"/>	
	30	BW32AAG-3P030 <input type="checkbox"/>	
50	32	BW32AAG-3P032 <input type="checkbox"/>	Blank, X, E, Y, P
	5	BW50AAG-3P005 <input type="checkbox"/>	
	10	BW50AAG-3P010 <input type="checkbox"/>	
	15	BW50AAG-3P015 <input type="checkbox"/>	
	20	BW50AAG-3P020 <input type="checkbox"/>	
	30	BW50AAG-3P030 <input type="checkbox"/>	
100	32	BW50AAG-3P032 <input type="checkbox"/>	Blank, X, E, Y, P
	40	BW50AAG-3P040 <input type="checkbox"/>	
	50	BW50AAG-3P050 <input type="checkbox"/>	
	60	BW100AAG-3P060 <input type="checkbox"/>	
	63	BW100AAG-3P063 <input type="checkbox"/>	
	75	BW100AAG-3P075 <input type="checkbox"/>	Blank, X, E, Y, P
	100	BW100AAG-3P100 <input type="checkbox"/>	

● EAG series, 3-pole IEC/EN/GB/JIS conformed

Breaker ampere frame	Rated current (A)	Type	<input type="checkbox"/> Available mounting and connection*
50	5	BW50EAG-3P005 <input type="checkbox"/>	Blank, X, E, Y, P
	10	BW50EAG-3P010 <input type="checkbox"/>	
	15	BW50EAG-3P015 <input type="checkbox"/>	
	20	BW50EAG-3P020 <input type="checkbox"/>	
	30	BW50EAG-3P030 <input type="checkbox"/>	
	32	BW50EAG-3P032 <input type="checkbox"/>	
	40	BW50EAG-3P040 <input type="checkbox"/>	
	50	BW50EAG-3P050 <input type="checkbox"/>	
63	60	BW63EAG-3P060 <input type="checkbox"/>	Blank, X, E, Y, P
	63	BW63EAG-3P063 <input type="checkbox"/>	
100	50	BW100EAG-3P050 <input type="checkbox"/>	Blank, X, E, Y, P
	60	BW100EAG-3P060 <input type="checkbox"/>	
	63	BW100EAG-3P063 <input type="checkbox"/>	
	75	BW100EAG-3P075 <input type="checkbox"/>	
	100	BW100EAG-3P100 <input type="checkbox"/>	
160	125	BW160EAG-3P125 <input type="checkbox"/>	Blank, X, E, P
	150	BW160EAG-3P150 <input type="checkbox"/>	
	160	BW160EAG-3P160 <input type="checkbox"/>	
250	175	BW250EAG-3P175 <input type="checkbox"/>	Blank, X, E, P
	200	BW250EAG-3P200 <input type="checkbox"/>	
	225	BW250EAG-3P225 <input type="checkbox"/>	
	250	BW250EAG-3P250 <input type="checkbox"/>	
400	250	BW400EAG-3P250 <input type="checkbox"/>	Blank, X, E, P
	300	BW400EAG-3P300 <input type="checkbox"/>	
	350	BW400EAG-3P350 <input type="checkbox"/>	
	400	BW400EAG-3P400 <input type="checkbox"/>	
630	500	BW630EAG-3P500 <input type="checkbox"/>	Blank, X, E, P
	600	BW630EAG-3P600 <input type="checkbox"/>	
	630	BW630EAG-3P630 <input type="checkbox"/>	
800	700	BW800EAG-3P700 <input type="checkbox"/>	Blank, X, E, P
	800	BW800EAG-3P800 <input type="checkbox"/>	



06

● JAG series, 3-pole IEC/EN/GB/JIS conformed

Breaker ampere frame	Rated current (A)	Type	<input type="checkbox"/> Available mounting and connection*
125	15	BW125JAG-3P015 <input type="checkbox"/>	Blank, X, E, P
	20	BW125JAG-3P020 <input type="checkbox"/>	
	30	BW125JAG-3P030 <input type="checkbox"/>	
	40	BW125JAG-3P040 <input type="checkbox"/>	
	50	BW125JAG-3P050 <input type="checkbox"/>	
	60	BW125JAG-3P060 <input type="checkbox"/>	
	75	BW125JAG-3P075 <input type="checkbox"/>	
	100	BW125JAG-3P100 <input type="checkbox"/>	
	125	BW125JAG-3P125 <input type="checkbox"/>	
160	125	BW160JAG-3P125 <input type="checkbox"/>	Blank, X, E, P
	150	BW160JAG-3P150 <input type="checkbox"/>	
	160	BW160JAG-3P160 <input type="checkbox"/>	
250	175	BW250JAG-3P175 <input type="checkbox"/>	Blank, X, E, P
	200	BW250JAG-3P200 <input type="checkbox"/>	
	225	BW250JAG-3P225 <input type="checkbox"/>	
	250	BW250JAG-3P250 <input type="checkbox"/>	

* See page 06/29.

Molded Case Circuit Breakers

G-TWIN series

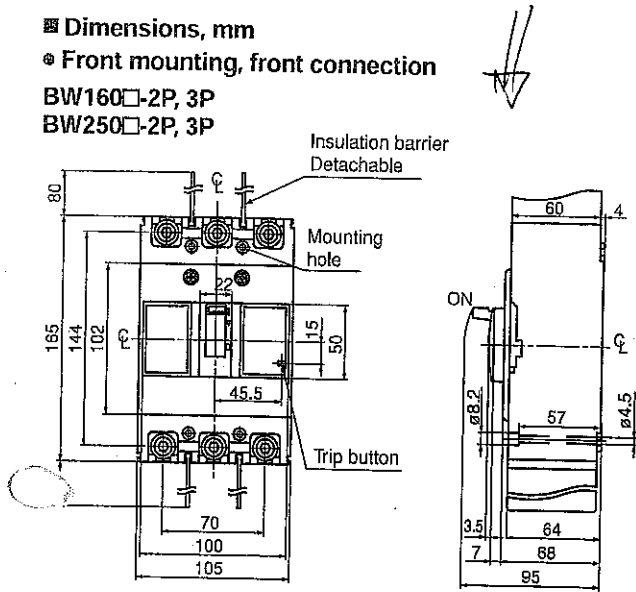
Dimensions / Standard

■ Dimensions, mm

● Front mounting, front connection

BW160□-2P, 3P

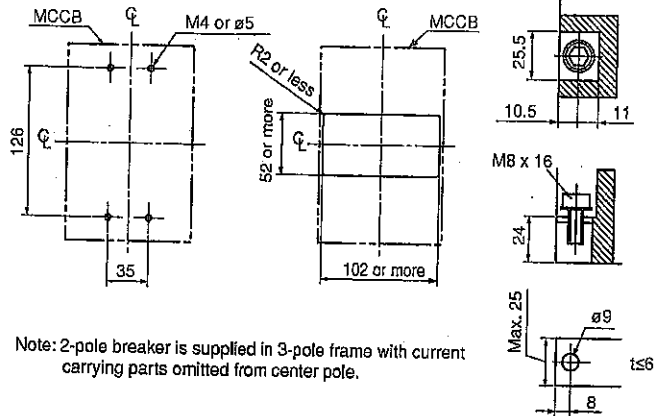
BW250□-2P, 3P



Panel drilling

Front panel cutting

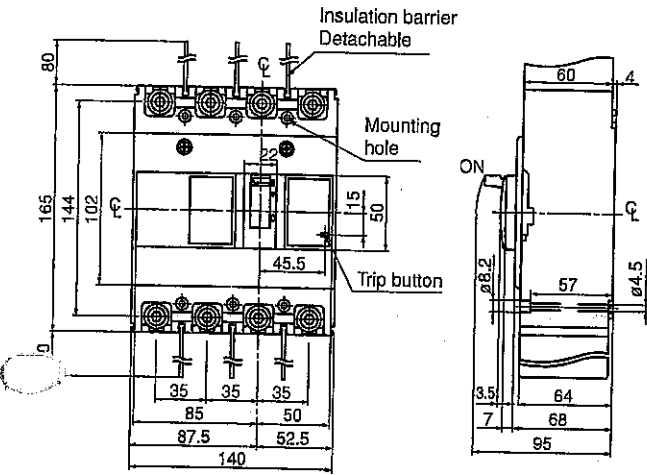
Terminal section



Note: 2-pole breaker is supplied in 3-pole frame with current carrying parts omitted from center pole.

BW160□-4P

BW250□-4P



Panel drilling

Front panel cutting

Terminal section

