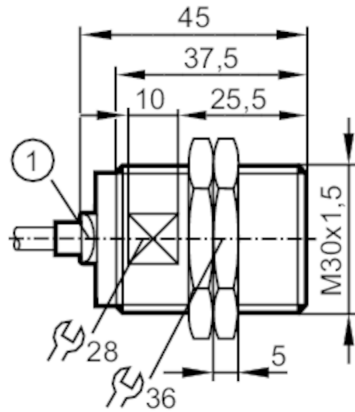


# IIS714



## Inductive sensor

IIB2015BBRKG/2M/PUR/UP



1 LED yellow



### Product characteristics

Electrical design	PNP/NPN
Output function	normally closed
Sensing range [mm]	15
Housing	Threaded type
Dimensions [mm]	M30 x 1.5 / L = 45

### Application

System	Drag chain suitability; Increased sensing range
Application	Industrial applications

### Electrical data

Operating voltage [V]	10...30 DC; ("supply limited voltage / current" acc. to UL)
Protection class	III
Reverse polarity protection	yes

### Outputs

Electrical design	PNP/NPN
Output function	normally closed
Max. voltage drop switching output DC [V]	5
Minimum load current [mA]	2
Max. leakage current [mA]	0.6
Permanent current rating of switching output DC [mA]	100
Switching frequency DC [Hz]	100
Short-circuit protection	yes
Overload protection	yes

# IIS714



## Inductive sensor

IIB2015BBRKG/2M/PUR/UP

Monitoring range		
Sensing range	[mm]	15
Real sensing range Sr	[mm]	15 ± 10 %
Operating distance	[mm]	0...12.15
Increased sensing range		yes
Accuracy / deviations		
Correction factor		steel: 1 / stainless steel: 0.7 / brass: 0.5 / aluminum: 0.4 / copper: 0.3
Hysteresis	[% of Sr]	3...15
Switch-point drift	[% of Sr]	-10...10
Operating conditions		
Ambient temperature	[°C]	-40...85
Protection		IP 65; IP 66; IP 67; IP 68; IP 69K
Tests / approvals		
EMC	EN 61000-4-2 ESD	4 kV CD / 8 kV AD
	EN 61000-4-3 HF radiated	10 V/m
	EN 61000-4-4 Burst	2 kV
	EN 61000-4-6 HF conducted	10 V
	EN 55011	class B
Vibration resistance	EN 60068-2-6 Fc	20 g (10...3000 Hz) / 50 sweep cycles per frequency; 1 octave per minute in 3 axes
Shock resistance	EN 60068-2-27 Ea	100 g 11 ms half-sine; 3 shocks each in every direction of the 3 coordinate axes
Continuous shock resistance	EN 60068-2-27	40 g 6 ms; 4000 shocks each in every direction of the 3 coordinate axes
Fast temperature changes	EN 60068-2-14 Na	TA = -40 °C; TB = 85 °C; t1 = 30 min; t2 = < 10 s; 50 cycles
Salt spray test	EN 60068-2-52 Kb	severity level 5 (4 test cycles)
MTTF	[years]	899
Embedded software included		yes
UL approval	Ta	-25...75 °C
	Enclosure type	Type 1
	voltage supply	Limited Voltage/Current
	UL approval number	A007
	File number UL	E174191
Mechanical data		
Weight	[g]	150.2
Housing		Threaded type
Mounting		flush mountable
Dimensions	[mm]	M30 x 1.5 / L = 45
Thread designation		M30 x 1.5
Material		brass white bronze coated; sensing face: PBT orange; LED window: PEI; lock nuts: brass white bronze coated
Tightening torque	[Nm]	see operating instructions
Drag chain suitability		yes
Drag chain suitability	Bending radius for flexible applications	min. 10 x cable diameter
	Bending cycles	> 5 Mio.

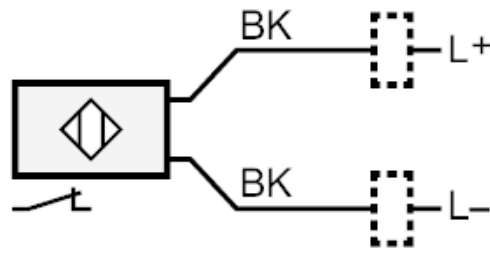
# IIS714



## Inductive sensor

IIB2015BBRKG/2M/PUR/UP

Displays / operating elements		
Display	Switching status	1 x LED, yellow
Accessories		
Items supplied	lock nuts: 2 tooth lock washer: 1, stainless steel	
Remarks		
Pack quantity	1 pcs.	
Electrical connection		
Cable: 2 m, PUR; 2 x 0.34 mm <sup>2</sup>		
Connection		



Core colors :  
BK = black