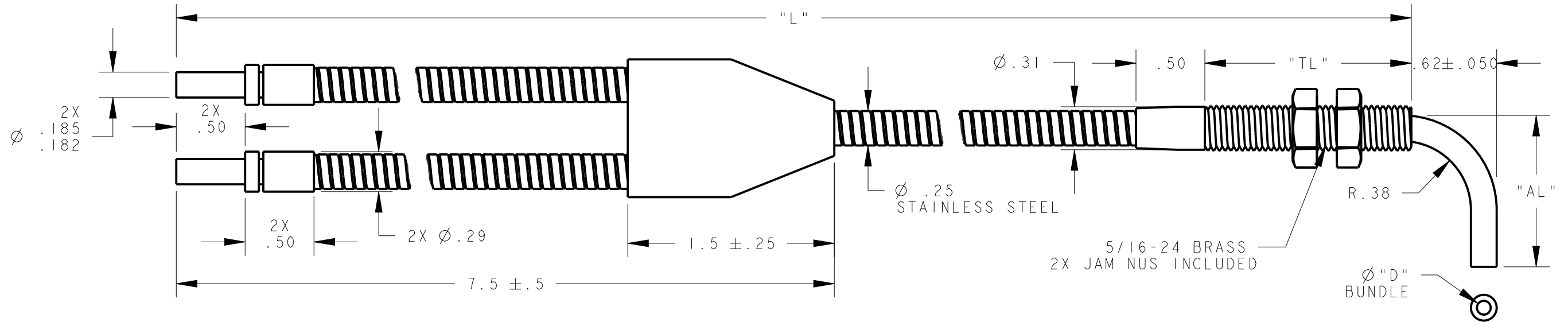


8	7	6	5	4	3	2	1
MODEL NO.	"TL"	"AL"	"L"	"D"	P/N		
BTA29S	1.5	1.1	108	.125	21470		
BTA24S	1.5	1.1	48	.125	21326		
BTA23SM600	1.5	1.1	36	.125	20388		
BTA23SM.62	1.5	.62	36	.125	20052		
BTA13S	1.5	1.1	36	.062	20195		
BTA21.5S	1.5	1.1	18	.125	20163		
BTA210S	1.5	1.1	120	.125	20290		
BTA211S	1.5	1.1	132	.125	20291		
BTA215S	1.5	1.1	180	.125	20341		
BTA21S	1.5	1.1	12	.125	20806		
BTA26S	1.5	1.1	72	.125	20377		
BTA23S	1.5	1.1	36	.125	20008		

NOTES:

- 'M600' SUFFIX INDICATES FIBERS POTTED ON ANGLED END WITH EPOXY THAT OPERATES IN MAX. TEMPERATURE OF 600°F.



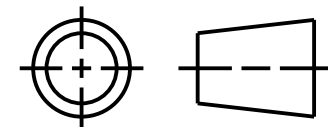
- NOTES:
- ALL DIMENSIONS ARE MILLIMETERS [INCHES] UNLESS OTHERWISE NOTED.
  - REFER TO "www.bannerengineering.com" FOR ADDITIONAL DATA AND SPECIFICATIONS.

This drawing is the property of BANNER ENGINEERING CORP. Any use or reproduction, in any form, without prior written permission of Banner is prohibited. © 2015 Banner Engineering Corp.



BANNER ENGINEERING CORP.  
www.bannerengineering.com

THIRD ANGLE PROJECTION



TITLE

**BTA2 SERIES SS TERMINATED**

SIZE	DRAWING NO.	REV.
B	161912	A

SCALE	SHEET
5:4	1 OF 2

CREO

8	7	6	5	4	3	2	1
MODEL NO.	"TL"	"AL"	"L"	"D"	P/N		
BTA13SM2.4	1.5	2.4	36	.062	23169		
BTA12SM2.4	1.5	2.4	24	.062	00000		
BTA.53S	1.5	1.1	36	.032	23240		
BTA25SM600	1.5	1.1	60	.125	00000		
BTA.53SM.62	1.5	.62	36	.032	23259		
BTA12S	1.5	1.1	24	.062	23330		
BTA.753S	1.5	1.1	36	.046	23562		
BTA12.8S	1.5	1.1	33	.062	00000		
BTA12.83S	1.5	1.1	34	.062	23777		
BTA12.7S	1.5	1.1	32	.062	23778		
BTA12.33S	1.5	1.1	28	.062	23779		
BTA23SI.9	1.5	1.88	36	.125	23825		
BTA13SMT.87M.62	.87	.62	36	.062	23839		
BTA23SM.8	1.5	.8	36	.125	00000		
BTA214SM.8	1.5	.8	168	.125	00000		
BTA14S	1.5	1.1	48	.062	23883		
BTA15S	1.5	1.1	60	.062	00000		
BTA115S	1.5	1.1	180	.062	00000		
BTA112S	1.5	1.1	144	.062	00000		
BTA26SM600	1.5	1.1	72	.125	24273		
BTA26SM.8	1.5	.8	72	.125	00000		
BTA214S	1.5	1.1	168	.125	24465		
BTA11S	1.5	1.1	12	.062	24475		
BTA227S	1.5	1.1	324	.125	00000		
BTA18S	1.5	1.1	96	.062	24597		
BTA23SMAL1.5	1.5	1.5	36	.125	24914		
BTA26SMAL1.5	1.5	1.5	72	.125	00000		
BTA11.5S	1.5	1.1	18	.062	00000		
BTA1.51.5S	1.5	1.1	18	.090	00000		

4	3	2	1
MODEL NO.	"TL"	"AL"	P/N
BTA22S	1.5	1.1	21895
BTA225S	1.5	1.1	21879
BTA110S	1.5	1.1	21710
BTA16S	1.5	1.1	21705
BTA25S	1.5	1.1	21473
BTA27S	1.5	1.1	21472
BTA28S	1.5	1.1	21471
BTA26SM.62	1.5	.62	22967
BTA1.54S	1.5	1.1	23060
BTA13S2.2	1.5	2.2	00000
BTA230S	1.5	1.1	82493
BTA1.52S	1.5	1.1	00000
BTA13SM600	1.5	1.1	22932
BTA25.5S	1.5	1.1	22643
BTA225SM600	1.5	1.1	21991

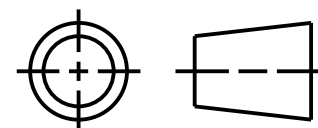
NOTES:  
1. ALL DIMENSIONS ARE MILLIMETERS [INCHES] UNLESS OTHERWISE NOTED.  
2. REFER TO "www.bannerengineering.com" FOR ADDITIONAL DATA AND SPECIFICATIONS.


NOTES:

- 'M600' SUFFIX INDICATES FIBERS POTTED ON ANGLED END WITH EPOXY THAT OPERATES IN MAX. TEMPERATURE OF 600°F.

This drawing is the property of BANNER ENGINEERING CORP. Any use or reproduction, in any form, without prior written permission of Banner is prohibited.  
© 2015 Banner Engineering Corp.

THIRD ANGLE PROJECTION



 <b>BANNER ENGINEERING CORP.</b> www.bannerengineering.com	
TITLE	
<b>BTA2 SERIES SS TERMINATED</b>	
SIZE B	DRAWING NO. <b>161912</b>
SCALE 3:2	REV. <b>A</b>
SHEET 2 OF 2	