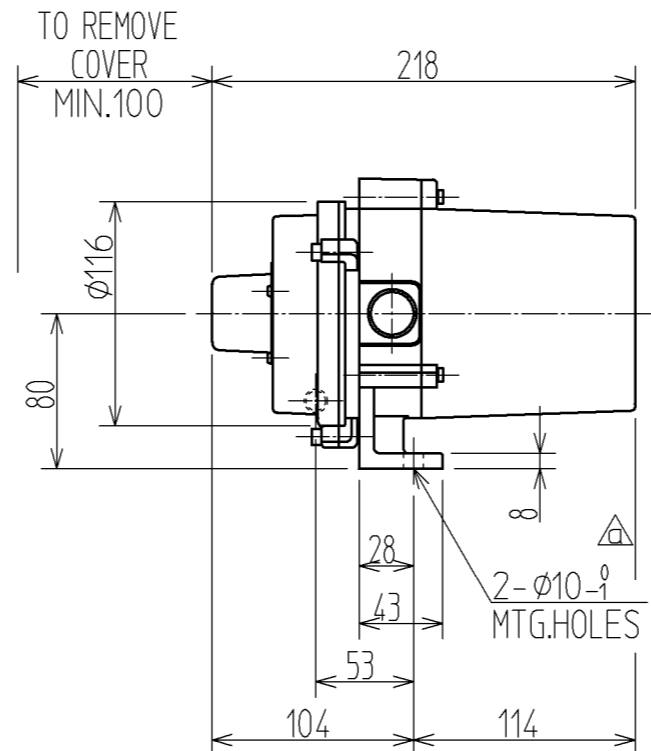
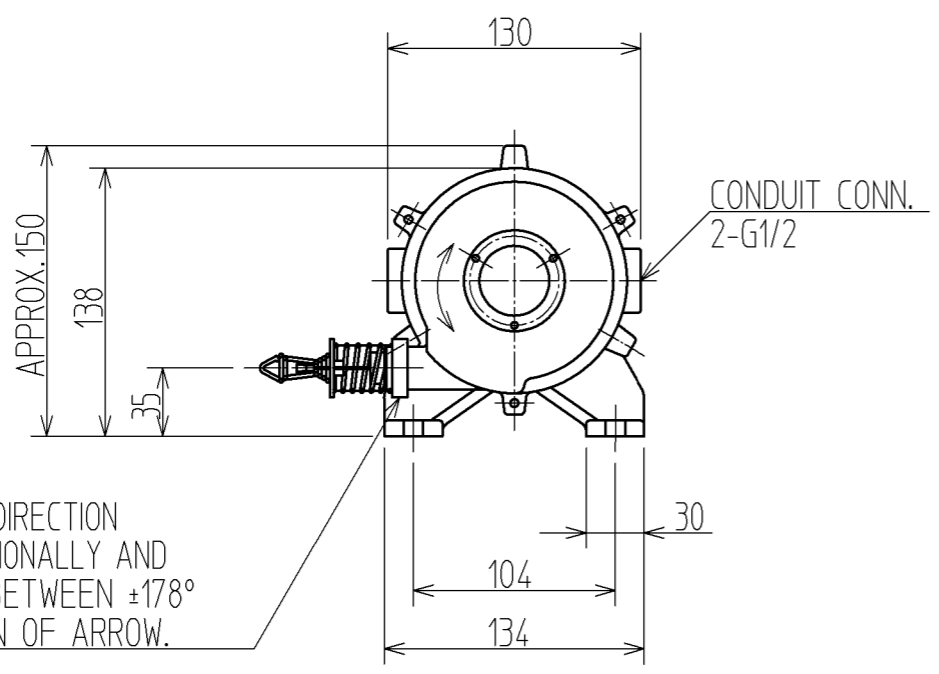


MODEL : FW22.

CODE	MAX.DETECTING LENGTH	POTENTIO METER
01	270 mm	STANDARD TYPE
02	840 mm	
03	1405 mm	
11	270 mm	OIL SEAL TYPE
12	840 mm	
13	1405 mm	
21	270 mm	HIGH LINEARITY TYPE
31	270 mm	
32	840 mm	HIGH TEMPERATURE TYPE
33	1405 mm	

△
△

AMBIENT TEMP.
 WITHOUT HIGH TEMP.TYPE : -20~60℃
 HIGH TEMP.TYPE : -20~80℃
 INDOOR SETTING



WIRE PULL-OUT DIRECTION CAN BE SET OPTIONALLY AND CONTINUOUSLY BETWEEN ±178° IN THE DIRECTION OF ARROW.

ANALOG TYPE POSITION TRANSMITTER				
FW22. <input type="checkbox"/>				
NOV.04'15	A17411	DEL.	A.Takura	T.Ise
No.	DATE	REV-No.	DESCRIPTION	REV. CKD.
DRG.	T.Aihara	MAY.25'98	SCALE	1:4
DRG.	S.Tadachi	MAY.25'98	MASS APPROX.	2kg
DRG.	Y.Imai	MAY.26'98	ORDER No.	
APPD.	管理者	MAY.27'98		

DRG. No. MW1110.0-EA



P