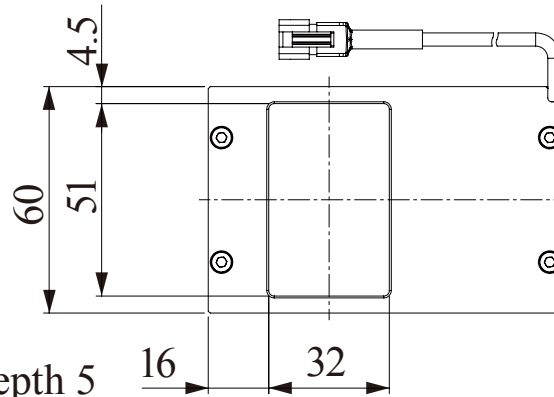


LFV3-50BL

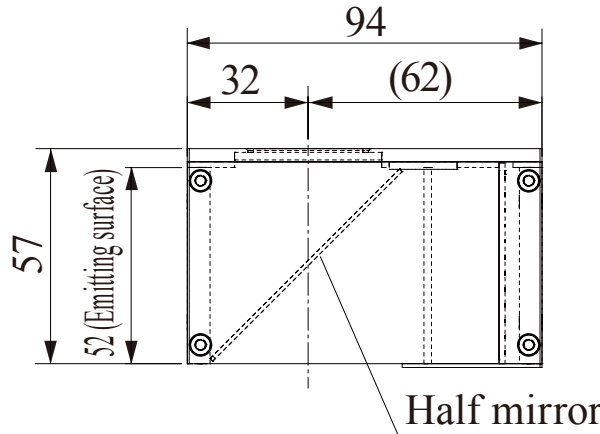
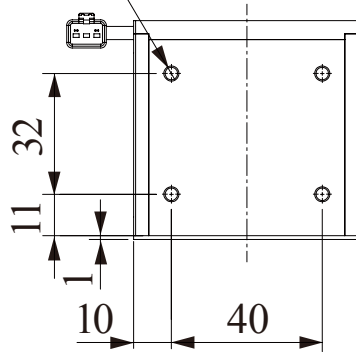
Cable length = 300mm

Model name	LFV3-50BL
LED color	Blue
Input voltage	24VDC
Power consumption	9.1W
Weight	335g
Connector	SMR-03V-B
Polarity and signal	1: (+), 2: NC, 3: (-)

Unit: mm



4-M4xP0.7 tapped depth 5
(For installation)



4-M4xP0.7 tapped depth 5
(For installation)

