



- A PART OF ADDTECH GROUP

DATA SHEET

Customer:	
Ref.:	
Order:	
Motor:	
Serial nr:	
Date:	03-10-2017

ASYNCHRONOUS MOTOR 4A2 132S2-2

Nameplate data:

Code: 116003

Type:	4A2 132S2-2			IP55	F/B	Amb. temp.: Max. 40°		
kW	Hz	V	A	Rpm	Cos	Eff. 100%	Duty	IE.class
7,50	50	400D	13,80	2910	0,88	88,1%	S1	IE2
7,50	50	690 Y	8,00	2910	0,88	88,1%		
9,00	60	460 D	14,40	3492	0,88	88,1%		

Description:

Mounting form:	B5
Bearing DE:	6308-2Z/C3
Bearing NDE:	6308-2Z/C3
Weight - Kg.:	46
Heater:	No Heater
PTC:	No PTC
Kgm ² :	0,0126
Sound press.-db(A):	69,0

Other:

Test data S1-duty, Amb.temp 40°C:

Voltage - V:	400
Frequency - Hz:	50
Power - kW:	7,50
Full load speed - Rpm:	2910
Full load current - A:	13,80
Full load power factor - Cos:	0,88
Locked rotor current - A:	106,3
Locked rotor factor - A _{st} /A _n :	7,7

Efficiency 100% load - %:	88,1%
Efficiency 75% load - %:	88,6%
Efficiency 50% load - %:	86,3%
Full load torque - Nm:	24,6
Locked rotor torque - Nm:	54,2
Locked rotor torque - Nm _{st} /Nm _n :	2,2
Max. Pull out torque - Nm:	56,6
Max. Pull out torque. - Nm _{st} /Nm _n :	2,3

Over load/speed test	kW	Hz	V	A	Rpm
Over load 160% - 15sec.	12,00	50	400	22,08	2910
Over speed 125% - 2 min.	7,5	63	400	13,80	3638
H-Pot test voltage: 1800V			Temp. rise in stator:		

The motor is produced in accordance with following harmonized standards:

IEC60034-1, IEC60034-2, IEC60034-5, IEC60034-6, IEC60034-7, IEC60034-8, IEC60034-9
IEC60034-12, IEC60034-14, IEC60034-30, IEC60072.

Additional specifications in accordance with:

RINA - GL - LRS - BV - DNV - ABS - KR - RR - CCS - CCC - RMRS.

Bevi Group:

BEVI AB, Sweden	www.bevi.se	sales@bevi.se	+46 499 271 00
BEVI Nord AB, Sweden	www.bevi.se	bevinord@bevi.se	+46 90 70 44 30
BEVI A/S, Denmark	www.bevi.dk	bevi@bevi.dk	+45 39 67 36 05
BEVI Norge A/S, Norway	www.bevi.no	info@bevi.no	+47 22 07 66 50
BEVI Finland OY AB, Finland	www.bevi.fi	info@bevi.fi	+358 9 2709 1210
BEVI Est Oü, Estonia	www.bevi.ee	bevi@bevi.ee	+372 6828 755
BEVI UAB, Lithuania	www.bevi.lt	info@bevi.lt	+370 5 2611 112
BEVI CHINA, China	www.bevi.cn	sales@bevi.cn	+86 21 5032 5200

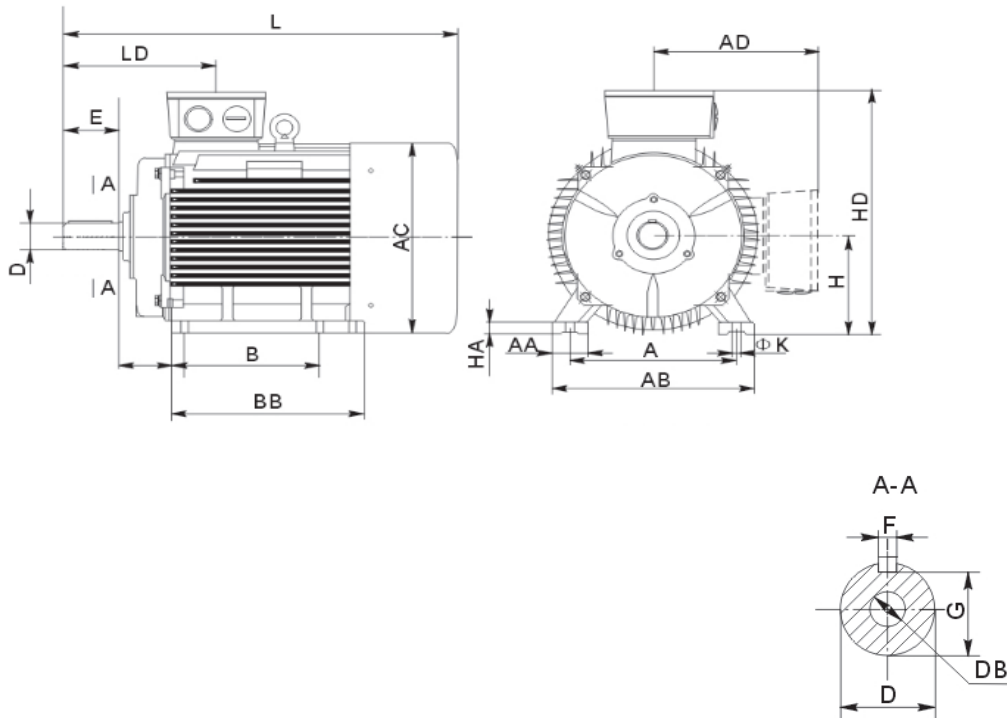


- A PART OF ADDTECH GROUP

DATA SHEET

Customer:	
Ref.:	
Order:	
Motor:	
Serial nr:	
Date:	03-10-2017

Foot mounted motor 4A2 132S2-2 B3



A: 216	HD: 330	E: 80
B: 140	C: 89	D: 38
AB: 262	H: 132	G: 33
AC: 257	K: 12	DB: M12
AD: 198	L: 460	F: 10
	L (V1): 510	

Bevi Group:

BEVI AB, Sweden
 BEVI Nord AB, Sweden
 BEVI A/S, Denmark
 BEVI Norge A/S, Norway
 BEVI Finland OY AB, Finland
 BEVI Est Oü, Estonia
 BEVI UAB, Lithuania
 BEVI CHINA, China

www.bevi.se
 www.bevi.se
 www.bevi.dk
 www.bevi.no
 www.bevi.fi
 www.bevi.ee
 www.bevi.lt
 www.bevi.cn

sales@bevi.se
 bevinord@bevi.se
 bevi@bevi.dk
 info@bevi.no
 info@bevi.fi
 bevi@bevi.ee
 info@bevi.lt
 sales@bevi.cn

+46 499 271 00
 +46 90 70 44 30
 +45 39 67 36 05
 +47 22 07 66 50
 +358 9 2709 1210
 +372 6828 755
 +370 5 2611 112
 +86 21 5032 5200

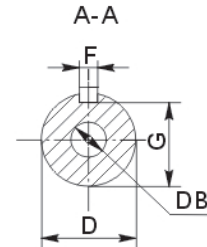
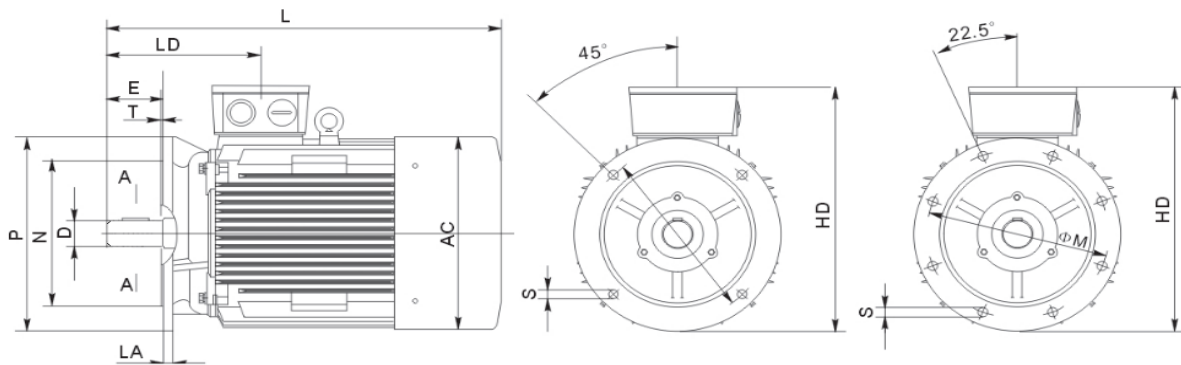


- A PART OF ADDTECH GROUP

DATA SHEET

Customer:	
Ref.:	
Order:	
Motor:	
Serial nr:	
Date:	03-10-2017

Flange mounted motor 4A2 132S2-2 B5 (V1)



M: 265	HD: 330	E: 80
N: 230	L: 460	D: 38
P: 300	L (V1): 510	G: 33
S: 15		DB: M12
		F: 10

Bevi Group:

BEVI AB, Sweden
 BEVI Nord AB, Sweden
 BEVI A/S, Denmark
 BEVI Norge A/S, Norway
 BEVI Finland OY AB, Finland
 BEVI Est Oü, Estonia
 BEVI UAB, Lithuania
 BEVI CHINA, China

www.bevi.se
 www.bevi.se
 www.bevi.dk
 www.bevi.no
 www.bevi.fi
 www.bevi.ee
 www.bevi.lt
 www.bevi.cn

sales@bevi.se
 bevinord@bevi.se
 bevi@bevi.dk
 info@bevi.no
 info@bevi.fi
 bevi@bevi.ee
 info@bevi.lt
 sales@bevi.cn

+46 499 271 00
 +46 90 70 44 30
 +45 39 67 36 05
 +47 22 07 66 50
 +358 9 2709 1210
 +372 6828 755
 +370 5 2611 112
 +86 21 5032 5200

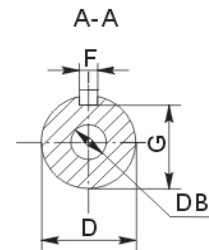
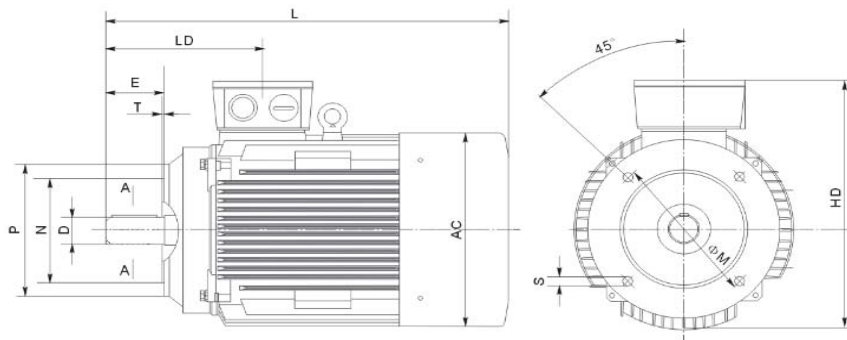


- A PART OF ADDTECH GROUP

DATA SHEET

Customer:	
Ref.:	
Order:	
Motor:	
Serial nr:	
Date:	03-10-2017

Flange mounted motor B14A & B14B



Flange type: B14A

M: 165
N: 130
P: 200
S: M10

B14B

215
180
250
M12

HD: 330
L: 460
L (V1): 510

E: 80
D: 38
G: 33
DB: M12
F: 10

Bevi Group:

BEVI AB, Sweden
BEVI Nord AB, Sweden
BEVI A/S, Denmark
BEVI Norge A/S, Norway
BEVI Finland OY AB, Finland
BEVI Est Oü, Estonia
BEVI UAB, Lithuania
BEVI CHINA, China

www.bevi.se
www.bevi.se
www.bevi.dk
www.bevi.no
www.bevi.fi
www.bevi.ee
www.bevi.lt
www.bevi.cn

sales@bevi.se
bevinord@bevi.se
bevi@bevi.dk
info@bevi.no
info@bevi.fi
bevi@bevi.ee
info@bevi.lt
sales@bevi.cn

+46 499 271 00
+46 90 70 44 30
+45 39 67 36 05
+47 22 07 66 50
+358 9 2709 1210
+372 6828 755
+370 5 2611 112
+86 21 5032 5200

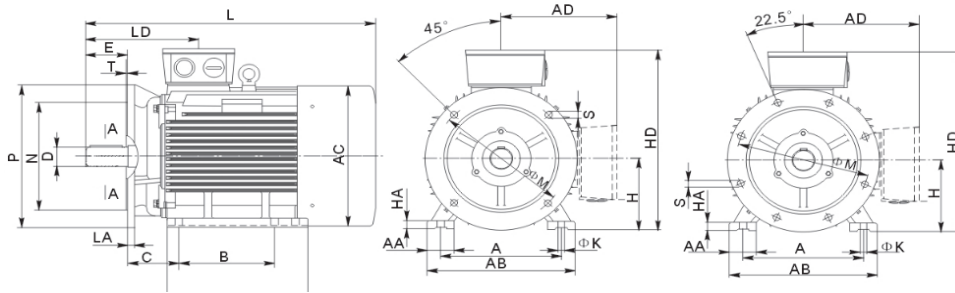


- A PART OF ADDTECH GROUP

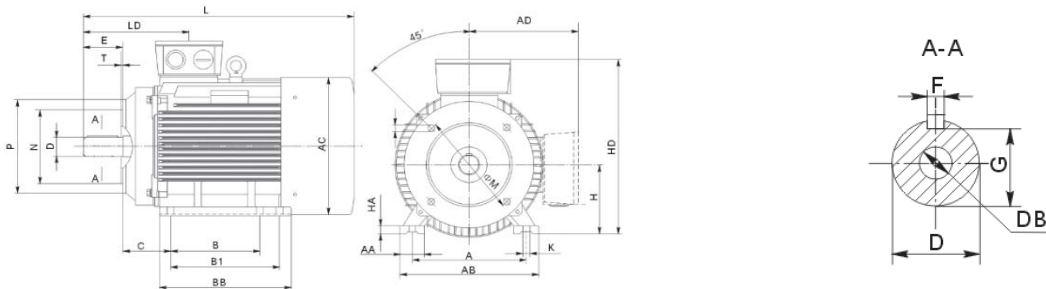
DATA SHEET

Customer:	
Ref.:	
Order:	
Motor:	
Serial nr:	
Date:	03-10-2017

Foot & flange mounted motor B3/B5



B3/B14A & B3/B14B



Flange type: B5

M: 265
N: 230
P: 300
S: 15

A: 216
B: 140
AB: 262
AC: 257
AD: 198

B14A

M: 165
N: 130
P: 200
S: M10

HD: 330
C: 89
H: 132
K: 12
L: 460

B14B

M: 215
N: 180
P: 250
S: M12

E: 80
D: 38
G: 33
DB: M12
F: 10

L (V1): 510

Bevi Group:

BEVI AB, Sweden
BEVI Nord AB, Sweden
BEVI A/S, Denmark
BEVI Norge A/S, Norway
BEVI Finland OY AB, Finland
BEVI Est Oü, Estonia
BEVI UAB, Lithuania
BEVI CHINA, China

www.bevi.se
www.bevi.se
www.bevi.dk
www.bevi.no
www.bevi.fi
www.bevi.ee
www.bevi.lt
www.bevi.cn

sales@bevi.se
bevinord@bevi.se
bevi@bevi.dk
info@bevi.no
info@bevi.fi
bevi@bevi.ee
info@bevi.lt
sales@bevi.cn

+46 499 271 00
+46 90 70 44 30
+45 39 67 36 05
+47 22 07 66 50
+358 9 2709 1210
+372 6828 755
+370 5 2611 112
+86 21 5032 5200