

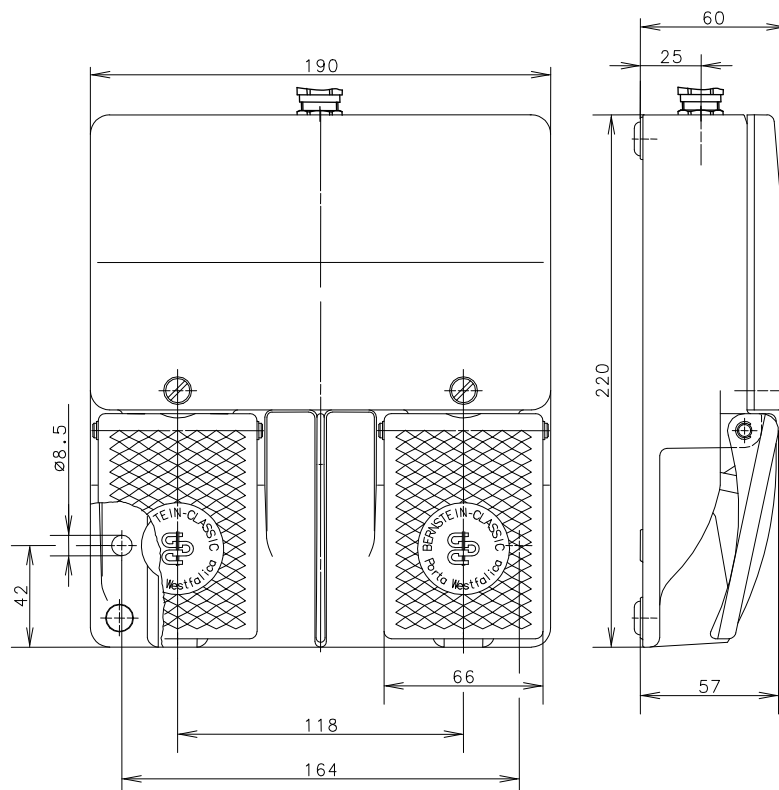
# Technical Data

## Foot-switch

### Series F2

Description **F2-SU2Z/SU2Z**

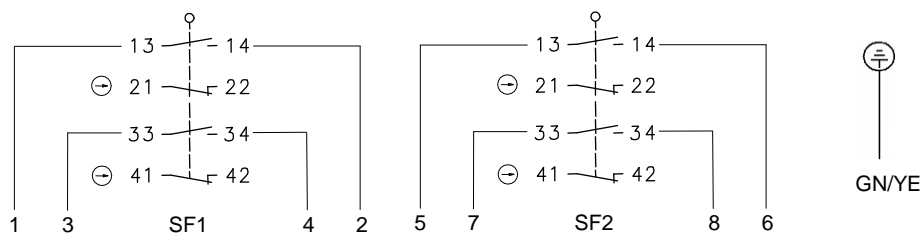
Article number **6162440745**



Switching symbol

Pedal left

Pedal right



### Electrical data

Rated insulation voltage	$U_i$	400 V AC
Conv. thermal current	$I_{the}$	10 A
Rated operational voltage	$U_e$	240 V
Utilization category		AC-15, $U_e/I_e$ 240 V / 3 A
Direct opening action	$\ominus$	acc. to IEC/EN 60947-5-1, Annex K
Short-circuit protective device		Fuse 2 A gG
Protection class		I

This document will not become the contractual basis; the details included herein do not constitute any descriptions of expected conditions, so that warranties/claims for defects on account of possible variations of the actual qualities from the qualities described herein are explicitly excluded. All rights reserved. Specifications subject to change without notice!

Date of issue: 17.05.2013 / Page 1 of 2  
Document: 6162440745\_en / Status: 1 / 2361-13

# Technical Data

## Foot-switch



Mechanical data	
Enclosure	AL, die-cast
Cover	AL, die-cast
Actuator	Foot lever (PA)
Ambient air temperature	-5 °C to +80 °C
Contact type	4 N.C, 4 N.O. (Zb)
Operating force – Pedal left	Approx. 10 N (pedal centre)
Mechanical life	10 x10 <sup>6</sup> operating cycles
Switching frequency	Max. 50/min
Assembly	2 x M8
Connection	screw connections (M3,5)
Number of connections	8 (see switching symbol)
Protection ground	2 x M4
Conductor cross-sections	Solid: 0,5 – 1,5mm <sup>2</sup> Litz wire with or without ferrules: 0,5 – 1,5 mm <sup>2</sup>
Cable entrance	1 x M20 x 1,5 with cable Holn JZ-602-PUR 12G 0,5 mm <sup>2</sup> , 5 m long, gray
Weight	Approx. 2,4 kg
Protection type	IP65 in accordance with IEC/EN 60529
Regulations	
	VDE 0660 T100, DIN EN 60947-1, IEC 60947-1 VDE 0660 T200, DIN EN 60947-5-1, IEC 60947-5-1
EU Conformity	
	acc. to directive 2006/95/EC

### Notes

The degree of protection specified (IP code) applies only to a properly closed cover.

This document will not become the contractual basis; the details included herein do not constitute any descriptions of expected conditions, so that warranties/claims for defects on account of possible variations of the actual qualities from the qualities described herein are explicitly excluded. All rights reserved. Specifications subject to change without notice!

Date of issue: 17.05.2013 / Page 2 of 2  
Document: 6162440745\_en / Status: 1 / 2361-13