

Oil Free Bushings

Copper Alloy Straight, Standard

Points on Comparing Similar Products | If you use it for high-precision positioning, high load weight, and high frequency movement, consider from the existing product series.

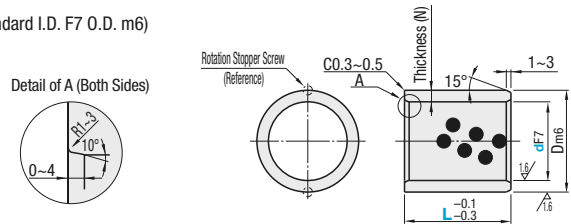
Features: Copper Alloy Bushings in general use.

Standard



RoHS

MPBZ (Standard I.D. F7 O.D. m6)

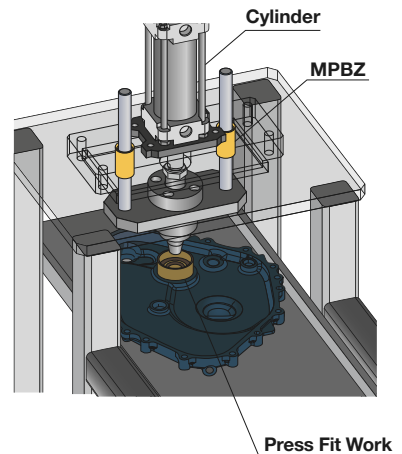


Recommended Mating Shaft for I.D. F7 Type: d8: General Use (High-Load), e7: General Use (Light Load), f6: High Precision Use, g6: High Precision Use (Intermittent Operation). Material: High Tensile Brass Alloy, Solid Lubricant Embedded.

Type	Part Number		L	Dm6	Thickness (N)	Housing Dia. (Recommended Dimension)		Rotation Stopper Screw (Reference)*	
	df7	Tolerance (H7)				Standard Dimension	Tolerance (H7)		
MPBZ	5	+0.022	8 9 10 12 15	9	+0.015	9	+0.015	M4x8	
	6	+0.010	8 9 10 12 15 16 19 20	10	+0.006	10	0		
	8	+0.028	8 9 10 12 15 16 19 20 25	12	+0.018	12	0		
	10	+0.013	8 9 10 12 15 16 19 20 25 30	14		14			
	12	+0.034	8 9 10 12 15 16 19 20 25 30 35	18		18			
	13		9 10 12 15 16 19 20 25 30 35	19	19				
	15		9 10 12 15 16 19 20 25 30 35 40	21	21				
	16	+0.016	9 10 12 15 16 19 20 25 30 35 40	22	+0.021	22	0		M5x8
	18	+0.041	9 10 12 15 16 19 20 25 30 35 40	24		24			
	20		9 10 12 15 16 19 20 25 30 35 40 50 60	28		28			
	20A		9 10 12 15 16 19 20 25 30 35 40 50	30	30				
	25	+0.020	12 15 16 19 20 25 30 35 40 50 60	33	+0.025	4	0	M6x16	
	25A	12 15 16 19 20 25 30 35 40 50 60	35	35					
	30	12 15 16 19 20 25 30 35 40 50 60 70	38	38					
	35	+0.050	20 25 30 35 40 50 60 70	44	4.5	44			
	40		+0.025	20 25 30 35 40 50 60 70 80	50	5	50		
	50		30 35 40 50 60 70 80	62	+0.030	6	62		
	60	+0.060	50 60 70 80	75	+0.011	7.5	75	M8x16	
	80	+0.030	60 70 80	96	+0.035	8	96		
	100	+0.027 +0.0295	80 100	120	+0.013	10	120		

	Existing Products Copper Alloy	
	Regular	Unlubricated
Lubrication	Regular	Unlubricated
Maximum Allowable Load	29.0 (98.0) N/mm ²	
Maximum Allowable Velocity	1.00m/s	0.5m/s
	60m/min	30m/min

Value in () is the allowable static surface pressure.



Part Number	Type	d	Unit Price																
			L8	L9	L10	L12	L15	L16	L19	L20	L25	L30	L35	L40	L50	L60	L70	L80	L100
5																			
6																			
8																			
10																			
12																			
13																			
15																			
16																			
18																			
20																			
20A																			
25																			
25A																			
30																			
35																			
40																			
50																			
60																			
80																			
100																			

Ordering Example: Part Number - L
MPBZ10 - 15