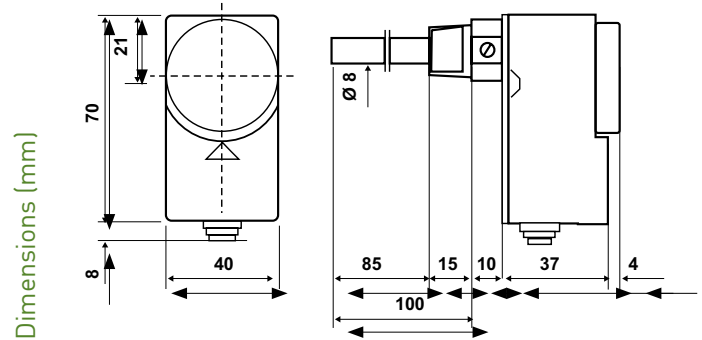


Immersion thermostats for direct mounting

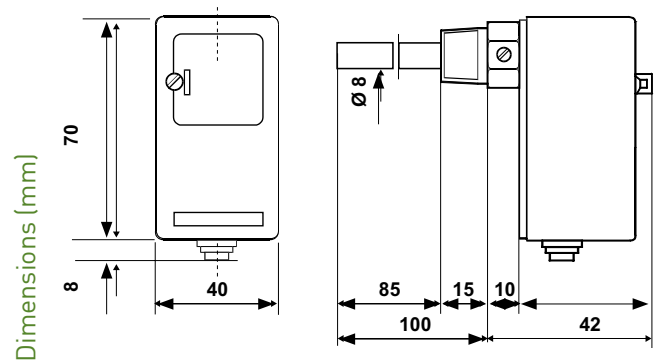


Thermostats for direct mounting on the pipeline, supplied with special casing for immersion into the controlled liquid. Suitable for boilers, heating systems, circulation pumps, burners, air heaters.



	Temperature range °C	Differential K	Calibration accuracy °C	Maximum bulb temperature °C	Protection level
C03A3	10 ÷ 90	6 ± 1	± 3	150	IP40
C03B3	40 ÷ 120	6 ± 1	± 3	150	IP40

EXECUTION WITH INTERNAL REGULATION



C03A3RI	10 ÷ 90	6 ± 1	± 3	150	IP40
C03B3RI	40 ÷ 120	6 ± 1	± 3	150	IP40

*The differential is subtracted from the range value. The differential values refer to a thermal gradient of 1K/hour in liquid and 4K/hour in air.

ELECTRICAL FEATURES

Two directions microswitch of instant action with AGcd0 contacts.

Contact parameters in compliance with EN 60730-1: 15(6) A 250V~ 50Hz.

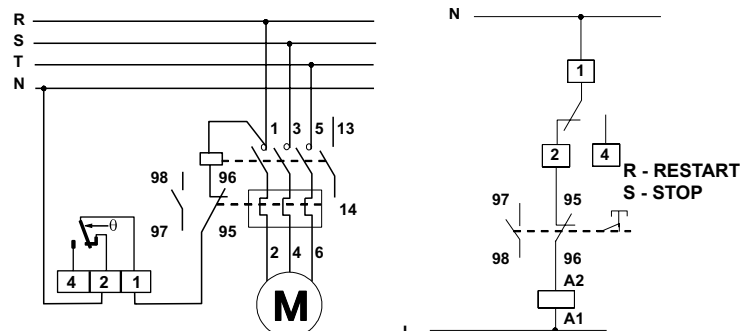
Parameters in compliance with EN 60947-5-1:

Nominal insulation voltage: U_i 380V~.

Nominal continuous current: I_{th} 15A.

Nominal operating current I_e	220V~	250V~	380V~
Resistive load	AC-12 -	15A	10A
Inductive load	AC-15 -	2,5A	1,5A
Direct current	DC-13 0,2A	-	-

EXAMPLE OF ELECTRICAL CONNECTION



STANDARDS AND CERTIFICATES

Compliance with standards EN 60947-5-1, EN 60730-1.
ISPESL approval for C03A3.

INSTALLATION

Direct immersion mounting of the bulb through a threaded sheath GC 1/2 PN10 (included in the package).

OPERATION

When the temperature increases: 1-2 are opening, 1-4 are closing.
Liquid expansion function.

FEATURES

Sensing element with stainless steel diaphragm.
Copper bulb and capillary.
Copper sheath with connection Gc 1/2 PN10.
Base, cover and knob in shock-proof self-extinguishing thermoplastic material V0.
Electrical connection output with PVC cable gland.
Admissible body temperature: 120°C.
Storage and transport temperature: -35 ÷ 120°C.

ACCESSORIES



303298LA
Cable gland G1/2 for connection output in shock-proof self-extinguishing thermoplastic material V0.



G30
Copper sheath Gc 1/2 PN10 bar with length 100mm Ø 8mm.

EXECUTION UPON REQUEST WITH FIXED CALIBRATION

Code C03TF xxx Example: C03TF 35 (with fixed calibration 35°C)



Calibration value

Calibration value must be between 20 ÷ 80°C.

EXECUTION UPON REQUEST WITH SPECIAL TEMPERATURE RANGE

Code C03A3 xx - yy xx= minimal range value
 yy= maximal range value

Example: C03A3 30-110 (adjustable value 30 ÷ 110°C)

EXECUTION UPON REQUEST WITH SPECIAL TEMPERATURE RANGE

Temperature (1) range °C	Scale (*) angle °C
C03A xx yy 0 ÷ 150	80

Note: Special temperature range is chosen in the range of temperature (1) and must always exceed the set value "scale angle" (*).

Example:
10 ÷ 90°C
15 ÷ 95°C
35 ÷ 115°C