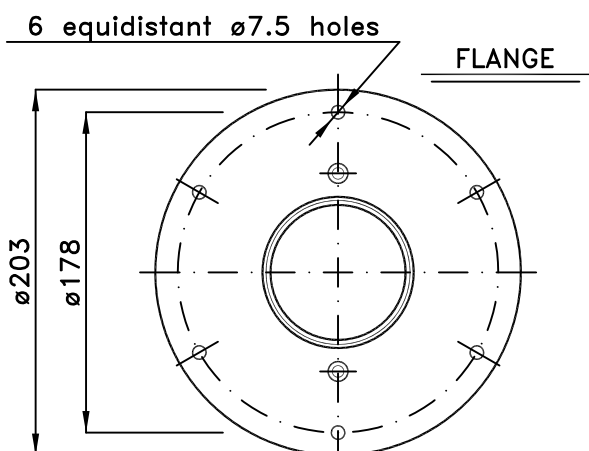
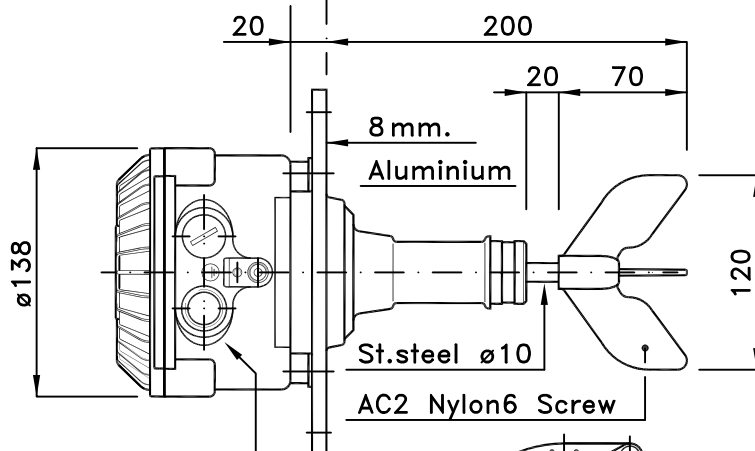
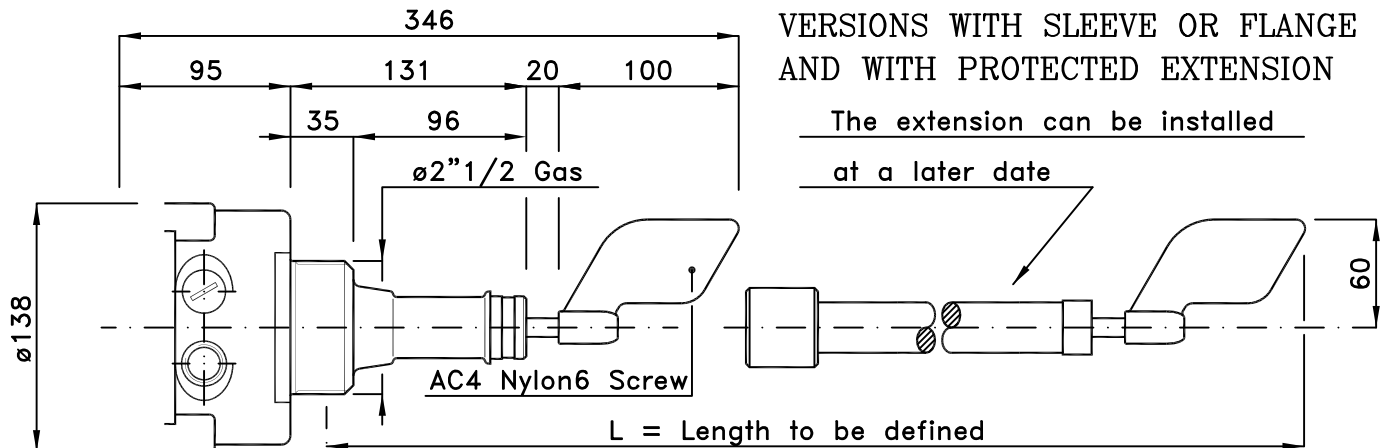


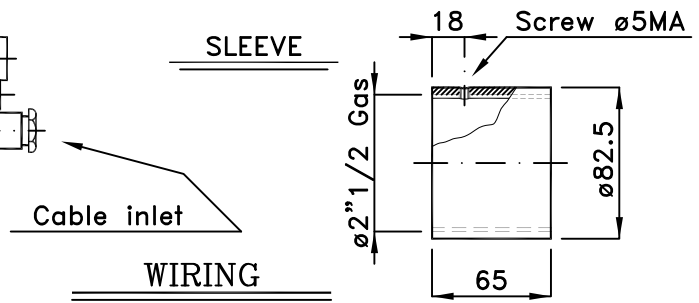
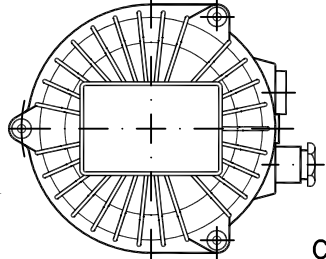
LEVEL GAUGES vast range, long-lasting

VERSIONS WITH SLEEVE OR FLANGE
AND WITH PROTECTED EXTENSION

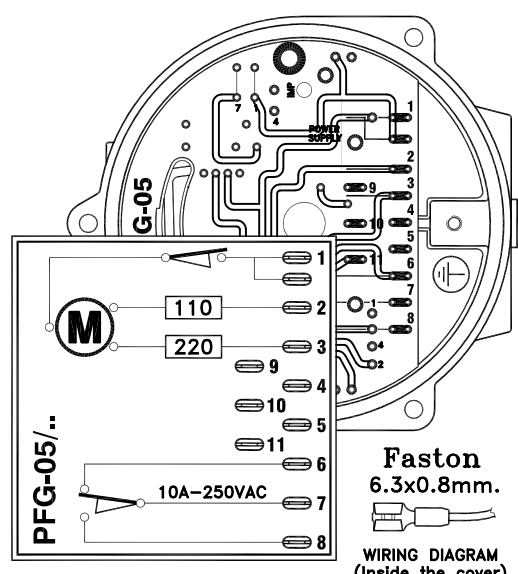
The extension can be installed
at a later date



Cable inlet
ø1/2" Gas double
horizontal
on right side
IP65 Protection



Certificate number TÜV IT 16 ATEX 063 X
Marking: II 1/2 D Ex ta/tb IIC T85°C IP65 Da/Db



- 1 - Common power supply
- 2 - Power supply 110 Va.c. 50/60 Hz
- 3 - Power supply 220 Va.c. 50/60 Hz
- 6 - NC contact 10A/250 Va.c.
- 7 - Common contacts
- 8 - NO contact 10A/250 Va.c.

Ambient temperature range -20 to +70 °C
Weight : PFG-05 1.700 Kg - PFG-05/F 2.200 Kg

On request power supply at 24/48 Va.c. 50/60 Hz or power supply at 24 Vd.c.

Electric motor draw 4 W
Maximum operational pressure 1.1 bar

PFG-05 = with 2"1/2 Gas thread - PFG-05/F = with flange

